



# DUO DUO 2V, DUO 2

- EN User manual
- DE Benutzerhandbuch
- FR Manuel de l'utilisateur
- RU Руководство пользователя
- PL Instrukcja obsługi
- SK Návod na použitie
- CS Návod k použití





COMPRESSOR  
KOMPRESSOR  
COMPRESSEUR  
КОМПРЕССОР  
SPREŻARKA  
KOMPRESOR

DUO  
DUO 2V, DUO 2



**EKOM spol. s r. o.**  
Priemyselná 5031/18  
SK-921 01 Piešťany  
Slovak Republic  
tel.: +421 33 7967255  
fax: +421 33 7967223

[www.ekom.sk](http://www.ekom.sk)  
email: [ekom@ekom.sk](mailto:ekom@ekom.sk)

DATE OF LAST REVISION  
DATUM DER LETZTEN ÜBERARBEITUNG  
DATE DE LA DERNIÈRE RÉVISION  
ДАТА ПОСЛЕДНЕЙ РЕДАКЦИИ  
DATA OSTATNIEJ AKTUALIZACJI  
DÁTUM POSLEDNEJ REVÍZIE  
DATUM POSLEDNÍ REVIZE

11/2019

NP-DUO-6\_11-2019-MD  
112000355-000

EN	<u>CONTENTS..... 1</u>
DE	<u>INHALT ..... 41</u>
FR	<u>TABLES DES MATIÈRES ..... 81</u>
RU	<u>ОГЛАВЛЕНИЕ..... 121</u>
PL	<u>SPIS TREŚC ..... 161</u>
SK	<u>OBSAH..... 201</u>
CS	<u>OBSAH..... 241</u>

## CONTENTS

<b>IMPORTANT INFORMATION</b> .....	<b>2</b>
1. CONFORMITY WITH THE REQUIREMENTS OF EUROPEAN UNION DIRECTIVES .....	2
2. INTENDED USE .....	2
3. CONTRAINDICATIONS AND SIDE-EFFECTS.....	2
4. WARNINGS AND SYMBOLS .....	2
5. WARNINGS .....	3
6. STORAGE AND TRANSPORT .....	5
7. TECHNICAL DATA .....	6
8. PRODUCT DESCRIPTION .....	13
9. PRODUCT FUNCTIONALITY .....	15
10.PNEUMATIC DIAGRAM .....	20
<b>INSTALLATION</b> .....	<b>21</b>
11.CONDITIONS FOR USE .....	21
12.PLACEMENT OF THE COMPRESSOR .....	22
13.PNEUMATIC CONNECTIONS .....	24
14.ELECTRICAL CONNECTIONS .....	27
15. CONNECTION DIAGRAM.....	29
<b>OPERATION</b> .....	<b>31</b>
16.COMMISSIONING .....	31
17.SWITCHING THE COMPRESSOR ON .....	32
18.COMPRESSOR SHUT-DOWN .....	32
<b>MAINTENANCE</b> .....	<b>33</b>
19.DEVICE MAINTENANCE .....	33
<b>TROUBLESHOOTING</b> .....	<b>38</b>
20.REPAIR SERVICE.....	39
21.STORAGE .....	39
22.DISPOSAL OF THE DEVICE .....	40
<b>ANNEX</b> .....	<b>281</b>
23.INSTALLATION RECORD.....	281

## **IMPORTANT INFORMATION**

### **1. CONFORMITY WITH THE REQUIREMENTS OF EUROPEAN UNION DIRECTIVES**

This product conforms to the requirements of the Medical Device Directive (93/42/EEC), and is safe for the intended use if all safety instructions are followed.

### **2. INTENDED USE**

The compressor and suction unit is used as a source of clean, oil-free compressed air to power and cool compressed air devices on dental sets, and as a source of vacuum for suction systems. The device can be used with all types of dental sets equipped with a suction block.



**Compressed air supplied by the compressor is unsuitable for use with artificial lung ventilation devices without further filtration.**

Any other use of the product beyond its intended use is considered an incorrect use. The manufacturer is not liable for any damages or injuries resulting from the incorrect use.

### **3. CONTRAINDICATIONS AND SIDE-EFFECTS**

There are no contraindications or side-effects known.

### **4. WARNINGS AND SYMBOLS**

The following symbols are used in the user manual, device and its packaging to denote important details and information:



General warnings



Warning



Danger, electric shock hazard



Read the operating instructions



Refer to instruction manual



CE-marking



Compressor is controlled automatically and may start without warning











Caution! Hot surface



Ground connection



Terminal for ground connection

	Handling mark on package – FRAGILE
	Handling mark on package – THIS SIDE UP
	Handling mark on package – KEEP DRY
	Handling mark on package – TEMPERATURE LIMITATIONS
	Handling mark on package – LIMITED STACKING
	Mark on package – RECYCLABLE MATERIAL
	Manufacturer
	Danger of biological hazard

## 5. WARNINGS

The product is designed and manufactured to be safe for the user and the surrounding environment when used in the defined manner. Keep the following warnings in mind.

### 5.1. General warnings

**READ THE USER MANUAL CAREFULLY BEFORE USING THE DEVICE AND KEEP IT FOR FUTURE USE!**

- The user manual supports the correct installation, operation and maintenance of the product. Careful review of this manual will provide the information necessary for the correct operation of the product for its intended use.
- Original packaging should be retained for the return of the device. Only the original packaging ensures protection of the device during transport. If it is necessary to return the product during the warranty period, the manufacturer is not liable for damages caused by improper packaging.
- This warranty does not cover damages originating from the use of accessories other than those specified or recommended by the manufacturer.
- The manufacturer only guarantees the safety, reliability and function of the device if:
  - installation, new settings, changes, expansion, and repairs are performed by the manufacturer or an organisation authorised by the manufacturer.
  - the product is used pursuant to the user manual.
- The user manual corresponds to the configuration of the product and its compliance with the applicable safety and technical standards at the time of printing. The manufacturer reserves all rights for the protection of its configuration, methods and names.
- This user manual is the original instructions. Translation is performed in accordance with the best available knowledge.

## 5.2. General safety warnings

The manufacturer designed and manufactured the product to minimise all risks when used correctly for the intended use. The manufacturer considers it its obligation to lay down the following general safety precautions.

- Use and operation of the product must comply with all laws and local regulations valid in the place of use. The operator and user are responsible for following all the appropriate regulations in the interests of performing work safely.
- Only the use of original parts guarantees the safety of operating personnel and the flawless operation of the product itself. Only the accessories and parts mentioned in the technical documentation or expressly approved by the manufacturer should be used.
- The operator must ensure that the device is functioning correctly and safely before every use.
- The user must be familiar with the operation of the device.
- Do not use the product in environments with a risk of explosion.
- The user must inform the supplier immediately if any problem directly related to the operation of the device occurs.

## 5.3. Safety warnings on protection from electric current

- The device must only be connected to a properly installed, earthed socket.
- Before the product is plugged in, ensure that the mains voltage and frequency stated on the product are in compliance with the values of the mains.
- Prior to putting the device into operation check for any damage to the connected pneumatic lines and electrical wiring. Replace damaged pneumatic lines and electrical wirings immediately.
- Immediately disconnect the product from the mains (remove power cord from the socket) in hazardous situations or in the case of a technical malfunction.
- During all repairs and maintenance, ensure that:
  - the mains plug is removed from the power socket
  - pressure is vented from the air tank and pipes
- The product shall only be installed by a qualified technician.



## 6. STORAGE AND TRANSPORT

The compressor is shipped from the factory in a transport packaging. This protects the device from damage during transport.



**The original compressor packaging must be used for transport whenever possible. Transport the compressor in an upright position, always secured with transport fixation.**



Protect the compressor from moisture, dirt and extreme temperatures during transport and storage. Store the compressor in its original packaging in a warm, dry, and dust-free area. Do not store near any chemical substances.



Keep the packaging material, if possible. If not, please dispose of the packaging material in an environmentally-friendly way. Packaging cardboard can be recycled with old paper.



**The compressor may only be transported when all air pressure has been vented. Before moving or transporting the compressor, release all air pressure from the tank and hoses and drain condensate from the air tank.**



**Storing or shipping the equipment in any conditions other than those specified below is prohibited.**

### Ambient conditions for storage and transport

Products may only be stored and transported in vehicles that are free of any traces of volatile chemicals under the following conditions:

Temperature:  $-25^{\circ}\text{C}$  to  $+55^{\circ}\text{C}$ , 24 h at up to  $+70^{\circ}\text{C}$

Relative humidity: 10% to 90% (non-condensing)

## 7. TECHNICAL DATA

Compressors are designed for dry and ventilated indoor environments with the following conditions:

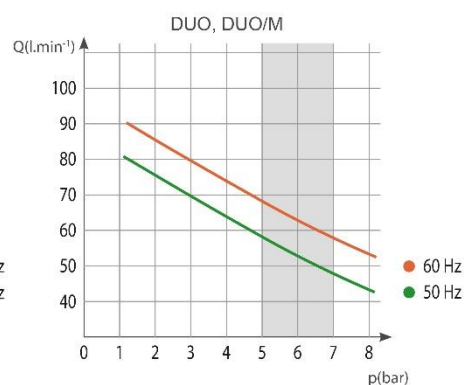
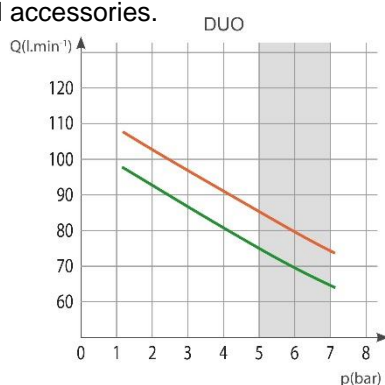
*Temperature :* +5°C to +40°C,  
*Max. relative humidity.:* 70%,  
*Max. absolute humidity.* 15 g/m<sup>3</sup>

Tab.1

		<b>DUO</b>	<b>DUO/M</b>
Compressor 5 – 7 bar		DK50 PLUS	DK50 PLUS/M
Suction unit		1	1
Nominal voltage / frequency (*)	V / Hz	230 / 50 230 / 60	230 / 50 230 / 60
Performance at 5 bar	Lit.min <sup>-1</sup>	75 85	58 68
Working pressure (**)	bar	5.0 – 7.0	5.0 – 7.0
Suction unit capacity at 5 kPa	Lit.min <sup>-1</sup>	800	800
Suction unit vacuum, max	kPa	12	12
Max. current	A	6.9 7.9	7.1 8
Compressor motor rating	kW	0.55	0.55
Air tank volume	Lit.	25	25
Air quality – filtration	µm	-	0.3
Maximum operating pressure of safety valve	bar	8.0	8.0
Noise level at 5 bar	LpfA [dB]	≤47 ≤50	≤47 ≤50
Duty cycle		S1-100%	S1-100%
PDP - drying performance at 7 bar		-	≤ +3°C
Time to fill air tank from 0 to 6 bar	s	123 105	157 128
Dimensions (net) w x d x h	mm	560x684x1251	560x684x1251
Net weight (***)	kg	114	119
Classification under EN 60601-1		Class I.	

Notes:

- (\*) When ordering, state the version of the compressor
- (\*\*) For other range of pressure: consult with the supplier
- (\*\*\*) Information about the weight is for informative purposes only and applies to the product without any additional accessories.



## DUO, DUO 2V, DUO 2

Tab. 2

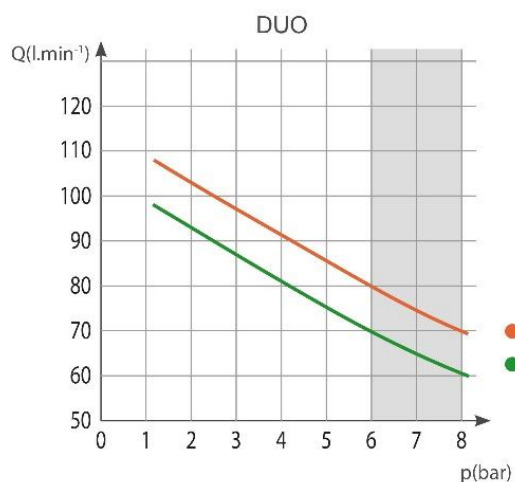
		DUO	DUO/M
Compressor 6 – 8 bar		DK50 PLUS	DK50 PLUS/M
Suction unit		1	1
Nominal voltage / frequency (*)	V / Hz	230 / 50 230 / 60	230 / 50 230 / 60
Performance at 6 bar	Lit.min <sup>-1</sup>	70 80	60 70
Working pressure (**)	bar	6.0 – 8.0	6.0 – 8.0
Suction unit capacity at 5 kPa	Lit.min <sup>-1</sup>	800	800
Suction unit vacuum, max.	kPa	12	12
Max. current	A	7 8	7.2 8.1
Compressor motor rating	kW	0.55	0.55
Air tank volume	Lit.	25	25
Air quality – filtration	µm	-	0.3
Maximum operating pressure of safety valve	bar	11.0	11.0
Noise level at 5 bar	LpA [dB]	≤47 ≤50	≤47 ≤50
Duty cycle		S1-100%	S1-100%
PDP drying performance at 7 bar		-	≤ +3°C
Time to fill air tank from 0 to 7 bar	s	149 126	198 159
Dimensions (net) w x d x h	mm	560x684x1251	560x684x1251
Net weight (***)	kg	114	119
Classification under EN 60601-1		Class I.	

Notes:

(\*) When ordering, state the version of the compressor

(\*\*) For other range of pressure:consult with the supplier

(\*\*\*) Information about the weight is for informative purposes only and applies to the product without any additional accessories.

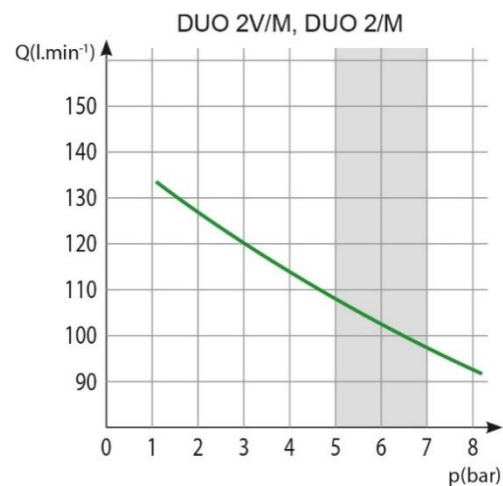


Tab.3

		<b>DUO 2V</b>	<b>DUO 2V/M</b>	<b>DUO 2</b>	<b>DUO 2/M</b>
Compressor 5 – 7 bar		DK50 2V	DK50 2V/M	DK50 2V	DK50 2V/M
Suction unit		1	1	2	2
Nominal voltage / frequency (*)	V / Hz	230 / 50 230 / 60	230 / 50 230 / 60	230 / 50 230 / 60	230 / 50 230 / 60
Performance at 5 bar	Lit.min <sup>-1</sup>	140	108	140	108
Working pressure (**)	bar	5.0 – 7.0	5.0 – 7.0	5.0 – 7.0	5.0 – 7.0
Suction unit capacity at 5 kPa	Lit.min <sup>-1</sup>	800	800	2x800	2x800
Suction unit vacuum, max.	kPa	12	12	12	12
Max. current	A	11.5 12.5	11.7 12.7	14.5 15.4	14.6 15.6
Compressor motor rating	kW	1.2	1.2	1.2	1.2
Air tank volume	Lit.	25	25	25	25
Air quality – filtration	µm	-	0.3	-	0.3
Maximum operating pressure of safety valve	bar	8.0	8.0	8.0	8.0
Noise level at 5 bar	LpA [dB]	≤ 51.5	≤ 55.0	≤ 51.5	≤ 55.0
Duty cycle		S1-100%	S1-100%	S1-100%	S1-100%
PDP - drying performance at 7 bar		-	≤ +3°C	-	≤ +3°C
Time to fill air tank from 0 to 6 bar	s	52	65	52	65
Dimensions (net) w x d x h	mm	560x684x1251	560x684x1251	560x684x1251	560x684x1251
Net weight (***)	kg	121	126	133	138
Classification under EN 60601-1		Class I.			

## Notes:

- (\*) When ordering, state the version of the compressor
- (\*\*) For other range of pressure:consult with the supplier
- (\*\*\*) Information about the weight is for informative purposes only and applies to the product without any additional accessories.



## DUO, DUO 2V, DUO 2

Tab. 4

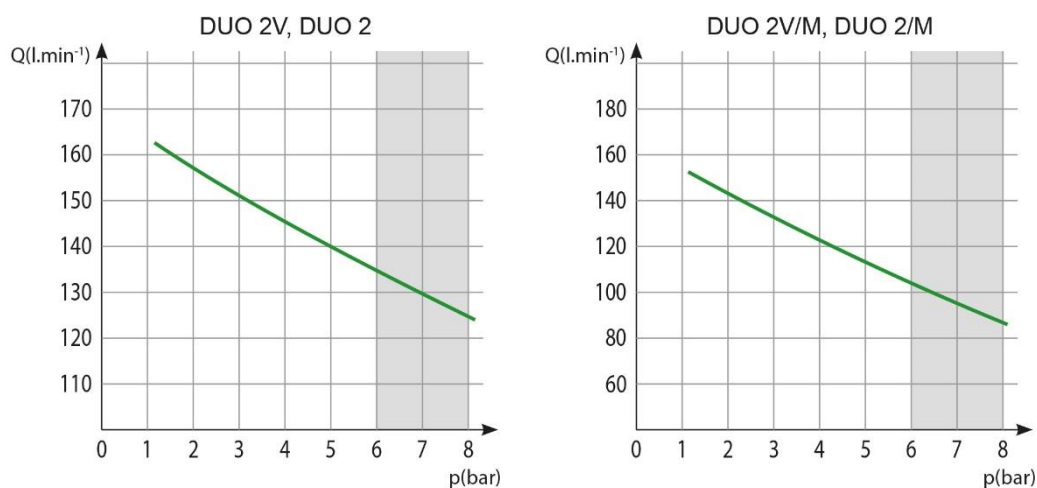
		DUO 2V	DUO 2V/M	DUO 2	DUO 2
Compressor 6 – 8 bar		DK50 2V	DK50 2V/M	DK50 2V	DK50 2V/M
Suction unit		1	1	2	2
Nominal voltage / frequency (*)	V / Hz	230 / 50 230 / 60	230 / 50 230 / 60	230 / 50 230 / 60	230 / 50 230 / 60
Performance at 6 bar	Lit.min <sup>-1</sup>	135	104	135	104
Working pressure (**)	bar	6.0 – 8.0	6.0 – 8.0	6.0 – 8.0	6.0 – 8.0
Suction unit capacity at 5 kPa	Lit.min <sup>-1</sup>	800	800	2x800	2x800
Suction unit vacuum, max.	kPa	12	12	12	12
Max. current	A	11.8 12.5	12.0 12.7	14.8 15.4	15.0 15.6
Compressor motor rating	kW	1.2	1.2	1.2	1.2
Air tank volume	Lit.	25	25	25	25
Air quality – filtration	µm	-	0.3	-	0.3
Maximum operating pressure of safety valve	bar	11.0	11.0	11.0	11.0
Noise level at 5 bar	LpFA [dB]	≤ 51.5	≤ 55.0	≤ 51.5	≤ 55.0
Operating mode		S1-100%	S1-100%	S1-100%	S1-100%
PDP drying performance at 7 bar		-	≤ +3°C	-	≤ +3°C
Time to fill air tank from 0 to 7 bar	s	61	78	61	78
Dimensions (net) w x d x h	mm	560x684x1251	560x684x1251	560x684x1251	560x684x1251
Net weight (***)	kg	121	126	133	138
Classification under EN 60601-1		Class I.			

Notes:

(\*) When ordering, state the version of the compressor

(\*\*) For other range of pressure:consult with the supplier

(\*\*\*) Information about the weight is for informative purposes only and applies to the product without any additional accessories.



**7.1. Free air delivery (FAD) correction due to elevation**

FAD correction table

Elevation [mamsl]	0 - 1500	1501 - 2500	2501 - 3500	3501 - 4500
FAD [l/min]	FAD x 1	FAD x 0.8	FAD x 0.71	FAD x 0.60

FAD („Free Air Delivery“) output related to conditions:

Elevation: 0 MASL

Temperature : 20°C

Atmospheric pressure : 101325 Pa

Relative humidity : 0%

**7.2. Electromagnetic compatibility declaration**

Medical equipment needs special precautions regarding electromagnetic compatibility (EMC) and needs to be installed and put into service according to the EMC information provided below.


<b>Guidance and manufacturer's declaration - electromagnetic emissions</b>		
Pursuant to IEC 60601-1-2:2014 - Medical electrical equipment - Part 1-2: General requirements for basic safety and essential performance - Collateral Standard: Electromagnetic disturbances		
The equipment is intended for use in the electromagnetic environment specified below. The customer or the user of the equipment should assure that it is used in such an environment.		
<b>Emissions test</b>	<b>Compliance</b>	<b>Electromagnetic environment - guidance</b>
RF emissions CISPR 11	Group 1	The equipment uses RF energy only for its internal functions. Therefore, the RF emissions are very low and are not likely to cause any interference in nearby electronic equipment.
RF emissions CISPR 11	Class B	The equipment is suitable for use in all establishments, including domestic establishments and those directly connected to the public low voltage power supply network that supplies buildings used for domestic purposes.
Harmonic emissions IEC 61000-3-2	Class A	
Voltage fluctuations/ flicker emissions IEC 61000-3-3	The equipment is not likely to cause any flicker, as the current flow is approx. constant after the start up.	

<b>Guidance and manufacturer's declaration - electromagnetic immunity</b>			
Pursuant to IEC 60601-1-2:2014 - Medical electrical equipment - Part 1-2: General requirements for basic safety and essential performance - Collateral Standard: Electromagnetic disturbances			
The equipment is intended for use in the electromagnetic environment specified below. The customer or the user of the equipment should assure that it is used in such an environment.			
<b>Immunity test</b>	<b>IEC 60601-1-2 test level</b>	<b>Compliance level</b>	<b>Electromagnetic environment - guidance</b>
Electrostatic discharge (ESD) IEC 61000-4-2	±8 kV contact ±15 kV air	±8 kV contact ±15 kV air	Floors should be wood, concrete or ceramic tile. If floors are covered with synthetic material, the relative humidity should be at least 30%.
Electrical fast transient/burst IEC 61000-4-4	±2 kV for power supply lines ±1 kV for input/output lines	±2 kV 100 kHz repetition frequency Applied to mains connection	Mains power quality should be that of a typical commercial or hospital environment.
Surge IEC 61000-4-5	±1 kV differential mode ±2 kV common mode	±1 kV L-N ±2 kV L-PE; N-PE Applied to mains connection	Mains power quality should be that of a typical commercial or hospital environment.
Voltage dips, short interruption, and voltage variations on power supply input lines IEC 60601-4-11	$U_T=0\%$ , 0,5 cycle (at 0, 45, 90, 135, 180, 225, 270 and 315°) $U_T=0\%$ , 1 cycle $U_T=70\%$ 25/30 cycles (at 0°) $U_T=0\%$ , 250/300 cycles	$U_T=>95\%$ , 0,5 cycle (at 0, 45, 90, 135, 180, 225, 270 and 315°) $U_T=>95\%$ , 1 cycle $U_T=70\%$ (30% dipp $U_T$ ), 25(50Hz)/30(60Hz) cycles (at 0°) $U_T=>95\%$ , 250(50Hz)/300(60Hz) cycle	Mains power quality should be that of a typical commercial or hospital environment. The device stops and restarts automatically at each dip. In this case does not occur unacceptable pressure drop.
Power frequency (50/60 Hz) IEC 61000-4-8	N/A	N/A	The equipment does not contain magnetically sensitive components or circuits.
NOTE: $U_T$ is the A.C. mains voltage prior to application of the test level.			

**Guidance and manufacturer's declaration - electromagnetic immunity**

Pursuant to IEC 60601-1-2:2014 - Medical electrical equipment - Part 1-2: General requirements for basic safety and essential performance - Collateral Standard: Electromagnetic disturbances

The equipment is intended for use in the electromagnetic environment specified below. The customer or the user of the equipment should assure that it is used in such an environment.

Immunity test	IEC 60601-1-2 test level	Compliance level	Electromagnetic environment - guidance
Conducted RF IEC 61000-4-6	3 Vrms 150 kHz to 80MHz	3 Vrms	Portable and mobile RF communications equipment should be used no closer to any part of the equipment, including cables, than the recommended separation distance calculated from the equation applicable to the frequency of the transmitter.  <b>Recommended separation distance</b>  $d=1,2\sqrt{P}$  $d=1,2\sqrt{P}$ , 80 MHz to 800 MHz  $d=2,3\sqrt{P}$ , 800 MHz to 2,7 GHz
Radiated RF IEC 61000-4-3	3 V/m 80 MHz to 2,7 GHz	3 V/m	where P is the maximum output power rating of the transmitter in watts (W) according to the transmitter manufacturer and d is the recommended separation distance in metres (m).
Proximity fields from RF wireless communications equipment IEC 61000-4-3	9 to 28 V/m 15 specific frequencies (380 to 5800 MHz)	9 to 28 V/m 15 specific frequencies (380 to 5800 MHz)	Field strengths from fixed RF transmitters, as determined by an electromagnetic site survey <sup>a</sup> , should be less than the compliance level in each frequency range <sup>b</sup> . Interference may occur in the vicinity of equipment marked with the following symbol:  

NOTE 1 At 80 MHz and 800 MHz, the higher frequency range applies.

NOTE 2 These guidelines may not apply in all situations. Electromagnetic propagation is affected by absorption and reflection from structures, objects and people.

<sup>a</sup> Field strengths from fixed transmitters, such as base stations for radio (cellular/cordless) telephones and land mobile radios, amateur radio, AM and FM radio broadcast and TV broadcast cannot be predicted theoretically with accuracy. To assess the electromagnetic environment due to fixed RF transmitters, an electromagnetic site survey should be considered. If the measured field strength in the location in which the equipment is used exceeds the applicable RF compliance level above, the equipment should be observed to verify normal operation. If abnormal performance is observed, additional measures may be necessary, such as re-orienting or relocating the equipment.

<sup>b</sup> Over the frequency range 150 kHz to 80 kHz, field strengths should be less than 3 V/m.



## DUO, DUO 2V, DUO 2

### 8. PRODUCT DESCRIPTION

#### 8.1. Variants

Compressor models are designed in the following variants:

<b>DUO</b>	This model is used for dental set models equipped with a suction block and designed for installation directly in the office
<b>DUO 2</b>	Models designed to operate with dental equipment sets equipped with a suction block. They are designed to supply two such dental equipment sets, i.e. two workstations
<b>DUO 2V</b>	Models designed to operate with dental equipment sets equipped with a suction block. They are designed to supply sets that use higher quantities of compressed air
<b>DUO/M</b>	Identical to the DUO model, but equipped with a membrane dryer
<b>DUO 2V/M</b>	Identical to the DUO 2V model, but equipped with a membrane dryer
<b>DUO 2/M</b>	Identical to the DUO 2 model, but equipped with a membrane dryer



**DUO**



**DUO 2V**



**DUO 2**

#### 8.2. Accessories

Accessories not included in the standard order must be ordered separately!

##### 8.2.1. Automatic condensate drain

The automatic condensate drain (AOK) automatically drains condensate from the compressor's air tank based on a pre-set time interval. The condensate drain (AOK) is a suitable accessory for compressor models without dryers.

Type	Use	Kit article no.
AOK 11	DK50 PLUS DK50 2V	447000001-047

### 8.2.2. Pressure regulator set

The compressor may be equipped with a pressure regulator of the compressed air outlet if specified. The regulator shall ensure constant pressure at the outlet. Regulator sets are suitable accessories for the compressors specified above.

Type	Use	Kit article no.
REG11	DK50 PLUS, DK50 PLUS/M DK50 2V, DK50 2V/M	447000001-077

### 8.2.3. Filters set

Compressors may be equipped with a filters set on the compressed air outlet if specified. The set of filters may be equipped with a pressure regulator. The sets of filters are suitable accessories for the compressors specified above.

NOTE : If a higher level of air filtration is required, this specification must be agreed on with the supplier and made clear in the order.

Type	Use	Level of filtration / $\mu\text{m}$ /	Pressure regulator	Kit article no.
FS 30FR	DK50 PLUS DK50 2V	5	yes	447000001-079
FS 30M		5 + 0.3	no	447000001-080
FS 30MR		5 + 0.3	yes	447000001-081
FS 30S		5 + 0.3 + 0.01	no	447000001-082
FS 30SR		5 + 0.3 + 0.01	yes	447000001-083
FS 31S	DK50 PLUS/M DK50 2V/M	0.3 + 0.01	no	447000001-086
FS 31SR		0.3 + 0.01	yes	447000001-087
FS 31SR2		0.01	yes	447000001-130

### 8.2.4. Condensation and filtration unit

The compressor may be additionally fitted with a condensation and filtration unit (KJF-1, KJF-2 or KJFR-1). The KJF-1, KJF-2 or KJFR-1 ensure that the compressed air from the air tank is cooled in the cooler and the condensate is captured in the filter and automatically separated from the pneumatic distribution system. The compressed air is filtered at the same time.

Type	Use	Level of filtration / $\mu\text{m}$ /	Pressure regulator	Kit article no.
KJF-1	DK50 PLUS	5	no	450001011-001
KJFR-1			yes	450001011-002
KJF-2	DK50 2V		no	450001021-001

### 8.2.5. Noise silencer

The noise silencer, with and without a filter, dampens the “whistling” noise caused by the suction pump impeller. Total noise reduction during suction unit operation is up to 4 dB.

- Noise silencer with a filter - a bacteriological filter is provided, making it suitable for installation directly in the office.
- Wall-mounted noise silencer - specifically designed for wall-mounted installation.
- Wall-mounted noise silencer with a filter - specifically designed for wall-mounted installation and equipped with a bacteriological filter.

**DUO, DUO 2V, DUO 2**

Type	Variant	Use	Kit article no.
DS2	wall-mounted, no bacteriological filter	DUO, DUO 2V, DUO2	451000Z01-004
DS2	wall-mounted, with a bacteriological filter		451000Z01-005
DS4	with a bacteriological filter	DUO,DUO 2V	451000Z01-006
DS5	with a bacteriological filter	DUO2	451000Z01-007
DS6	no bacteriological filter	DUO,DUO 2V	451000Z01-008
DS7	no bacteriological filter	DUO2	451000Z01-009

**8.2.6. Equipotential bonding socket**

The socket allows an equipotential bonding. (Fig.10)

Type	Use	Name	Article no.
POAG-KBT6-EC	DUO, DUO 2V, DUO2	Mains plug connector	033400075-000
FLEXI-S/POAG-HK6		Conductor (1 m)	034110083-000

**9. PRODUCT FUNCTIONALITY****Compressor with suction unit(Fig. 1)**

The air pump (1) draws in atmospheric air through an inlet filter (8) and compresses it through a non-return valve (3) into an air tank (2) from which the device draws compressed air. If the pressure in the air tank drops to the switch-on pressure, the pressure switch (4) turns on the compressor and the compressor supplies compressed air into the air tank until it reaches the switch-off pressure, when the compressor switches off. The pressure hose is vented through the relief solenoid valve (13) once the air pump is shut off. The safety valve (5) prevents the pressure in the air tank from rising above the maximum allowed value. The drain valve (7) drains condensate from the air tank. Compressed, oil-free filtered air is stored in the air tank ready for use.

Condensate must be drained from the air tank at regular intervals (see Chapter 19.1).

The suction pump (36) (two aggregates on DUO2) draws in air, thereby creating vacuum in the suction lines that are connected to the device and is a source of vacuum for removing foreign substances from the doctor's work area. This air is then exhausted through an exhaust line routed outside the operator's work area.

**Compressor with suction unit and membrane dryer (Fig. 2)**

The compressor aggregate (1) draws in air through an inlet filter (8) and compresses it, feeding it to the cooler (14) through the filter (15) and the check valve (3) into the dryer (9), and feeds the clean and dry air into the air tank (2). A part of the air is released from the dryer with the captured moisture, which is manifested as a light air stream along the body of the dryer (9). Condensate from the filter is automatically drained at regular intervals into the collecting bottle via the condensate drain solenoid valve (16). The dryer ensures continuous drying of the compressed air. The drain valve (7) drains condensate from the air tank when drying performance is checked. Compressed, oil-free filtered air is stored in the air tank ready for use.

For the membrane dryer to work as intended, the dryer is connected directly to the air tank without the use of a check valve. As the membrane dryer contains selective membrane fibres, there is a small amount of air leakage through them (about 0.5 bar/30 min).

As a result, there is a gradual, slow drop in pressure even when there is no demand for compressed air (from the air tank), however, this is not a malfunction.

The pressure vessel does not need to be drained.

The suction pump (36) (two aggregates on DUO2) draws in air, thereby creating vacuum in the suction lines that are connected to the device and is a source of vacuum for removing foreign substances from the doctor's work area. This air is then exhausted through an exhaust line routed outside the operator's work area.

### **Compressor cabinet(Fig.3)**

The soundproof cabinet provides compact covering of the compressor, allowing sufficient exchange of cooling air. With its design It can be placed in a dentist's office as apart of furniture. The fan under the air pump of a compressor provides cooling of compressor and it is in operation at the same time with an engine of the compressor. After prolonged use the temperature in the cabinet may rise above 40°C, causing the cooling fan blower to automatically turn on. After cooling the cabinet area down to 32°C the fan blower turns off automatically. Door of the casing with right opening may be changed to left opening (see Chapter 12.2).



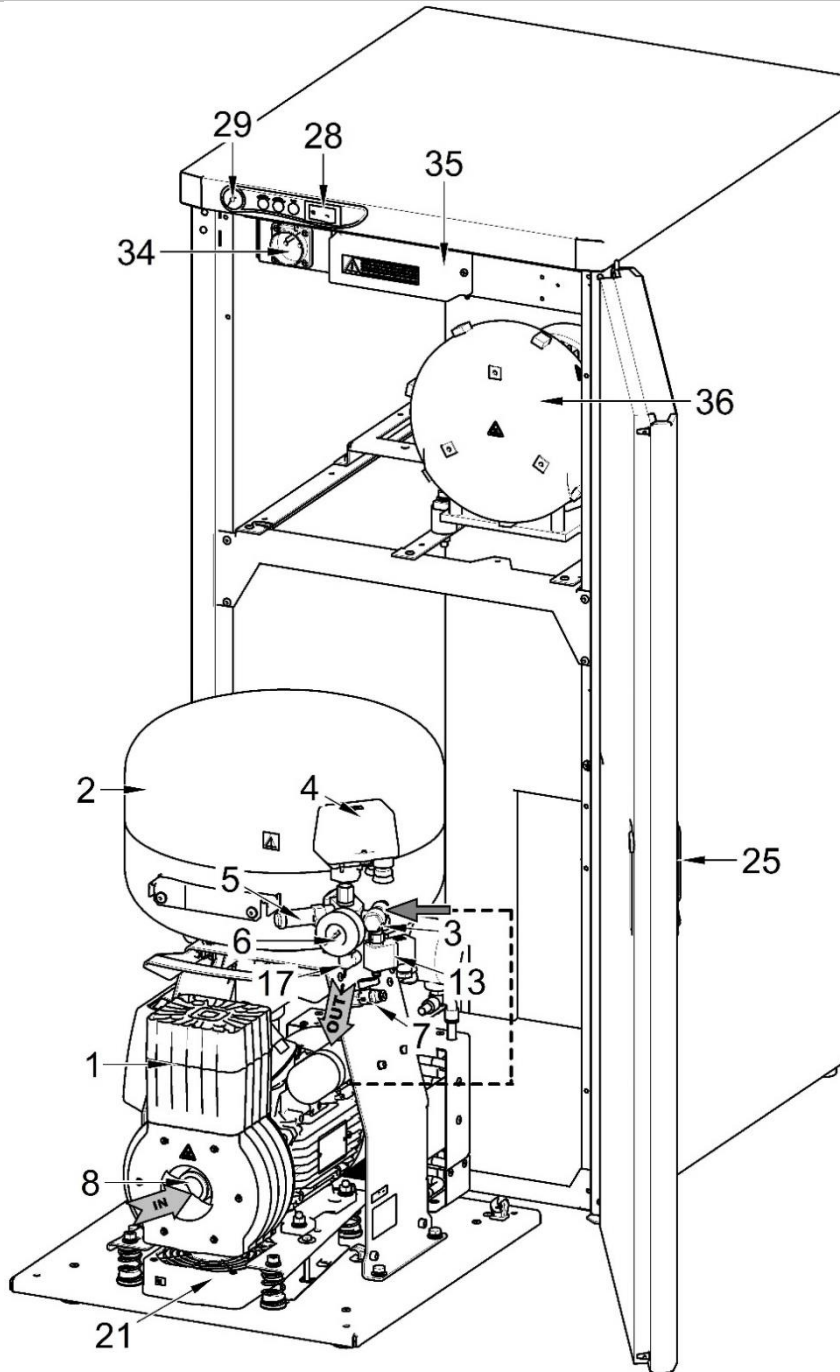
**Make sure that nothing impedes the free flow of air under and around the compressor. Never cover the hot air outlet on the top back side of the cabinet.**



**If placing the compressor on a soft floor such as carpet, create space for ventilation between the base and floor or the cabinet and floor, e.g. underpin the footings with hard pads.**

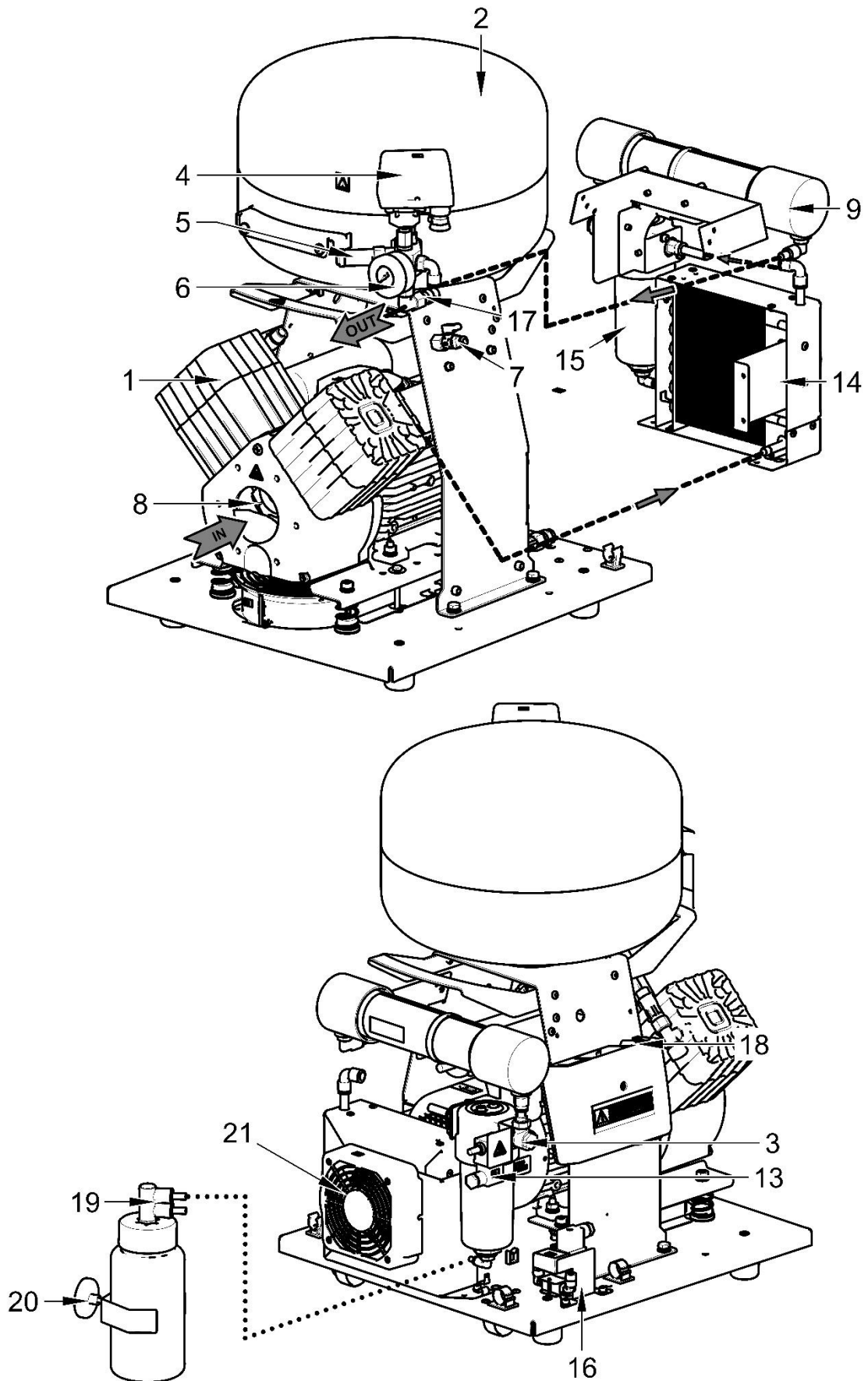
Fig.1 - DUO - Compressor with suction unit

Description for Figures 1- 3



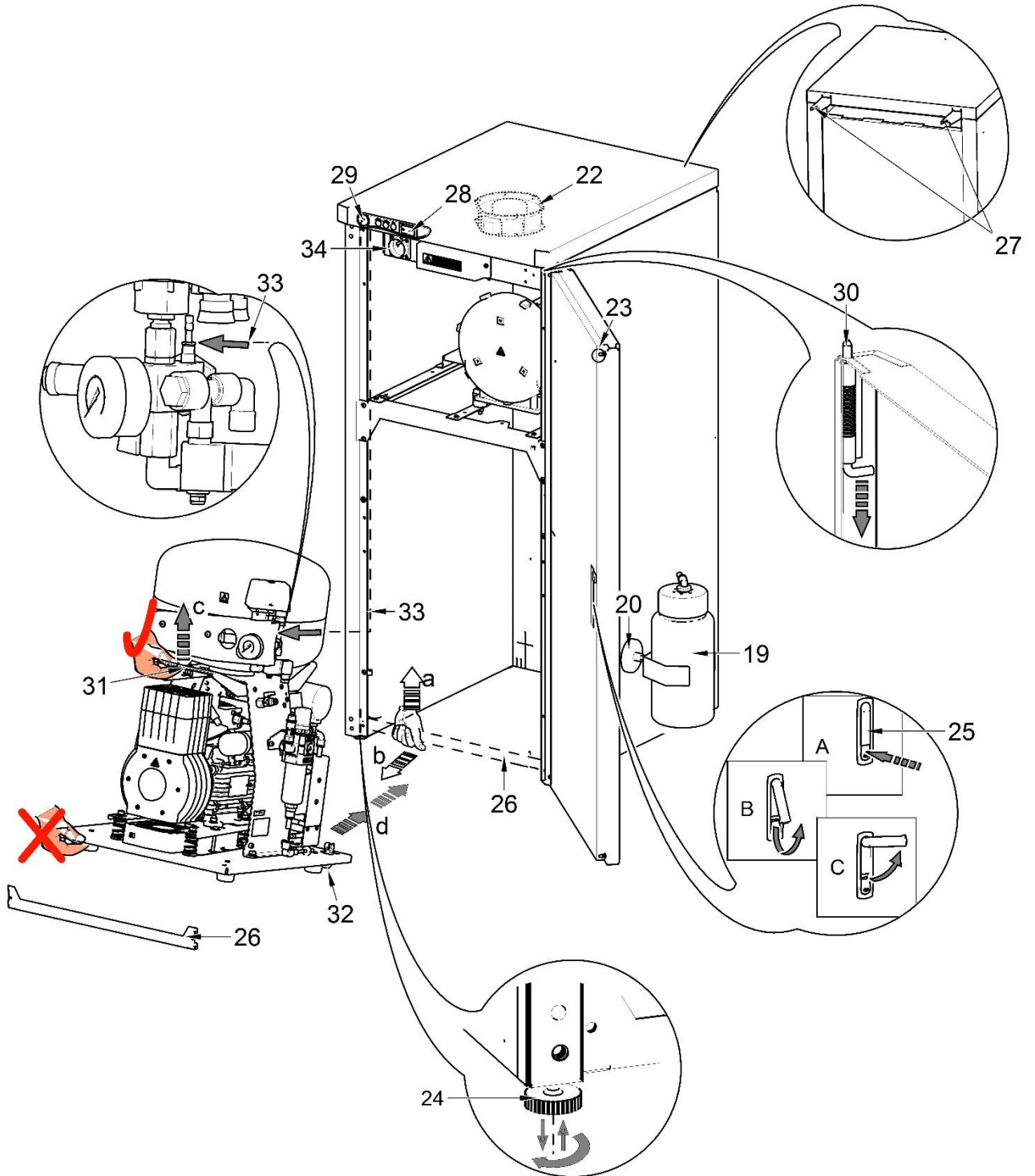
1. Air pump
2. Air tank
3. Non-return valve
4. Pressure switch
5. Safety valve
6. Pressure gauge
7. Drain valve
8. Inlet filter
9. Dryer
10. -
11. -
12. -
13. Solenoid valve
14. Dryer cooler
15. Filter
16. Condensate drain solenoid valve
17. Compressed air outlet
18. Circuit breaker switch
19. Bottle
20. Magnetic holder
21. Fan
22. Cabinet fan
23. Door pin
24. Rectifying screw
25. Lock
26. Supporting bracket
27. Wall stop
28. Switch
29. Pressure gauge
30. Door hinge
31. Handle
32. Casters
33. Pressure gauge hose
34. Socket
35. Suction unit switching block
36. Suction unit

Fig.2 - DK50 2V/M - Compressor with dryer



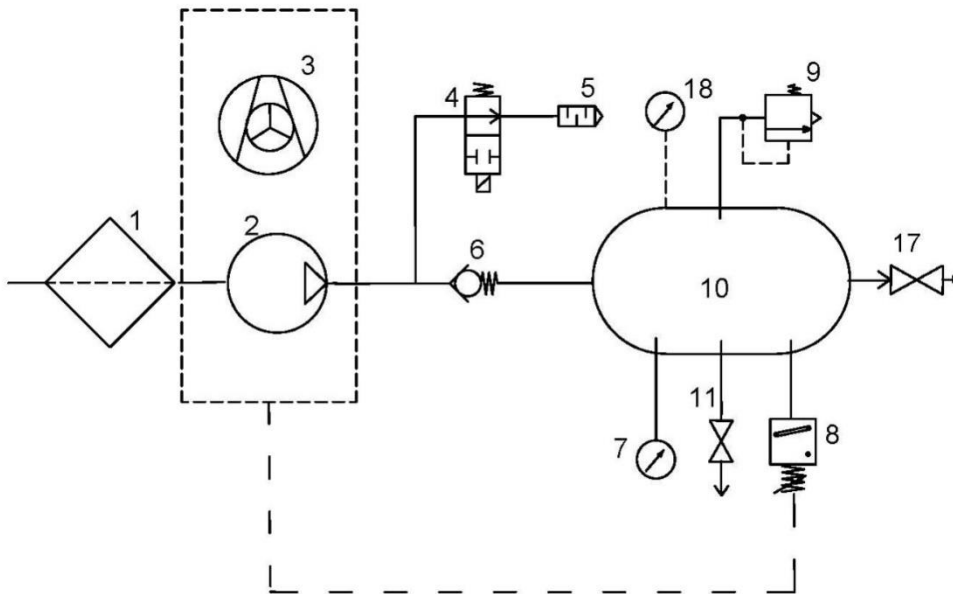
DUO, DUO 2V, DUO 2

Fig.3 – Cabinet DUO

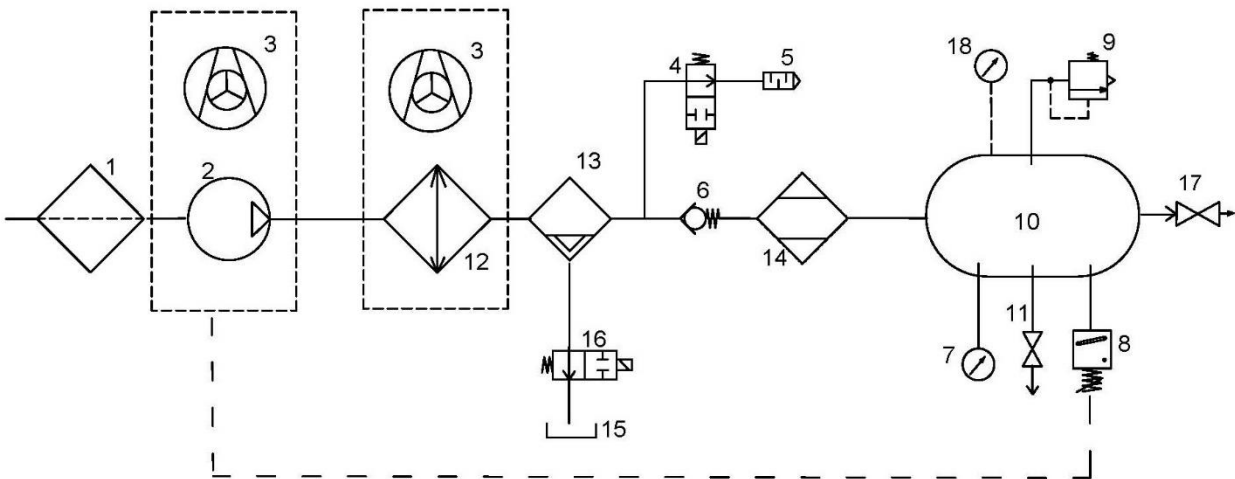


10. PNEUMATIC DIAGRAM

DK50 PLUS, DK50 2V



DK50 PLUS/M, DK50 2V/M



Legend for compressed air diagram

- |                     |                                     |
|---------------------|-------------------------------------|
| 1. Inlet filter     | 10. Air tank                        |
| 2. Compressor       | 11. Drain valve                     |
| 3. Fan              | 12. Cooler                          |
| 4. Relief valve     | 13. Coalescence filter              |
| 5. Noise silencer   | 14. Membrane dryer                  |
| 6. Non-return valve | 15. Condensate collection bottle    |
| 7. Pressure gauge   | 16. Condensate drain solenoid valve |
| 8. Pressure switch  | 17. Outlet valve                    |
| 9. Safety valve     | 18. Cabinet pressure gauge          |



## INSTALLATION

### 11. CONDITIONS FOR USE

- The device may only be installed and operated in dry, well-ventilated and clean environments with environmental parameters that meet the requirements specified in Chapter 7, Technical data. The compressor must be installed so that it is accessible at all times for operating and maintenance. Please ensure that the label on the device is readily accessible.
- The device must stand on a flat, sufficiently stable base (be aware of the weight of the compressor, see Chapter 7, Technical data).
- The device may not be operated outdoors or in otherwise wet or damp environments. Do not use the compressor in the presence of explosive gases, dust, or flammable liquids.
- Before connecting the compressor to medical equipment, the supplier must confirm that it meets all requirements for its use. Refer to the technical data of the product for this purpose. When a unit is to be built-in, classification and evaluation of compatibility must be done by the manufacturer or supplier of the product to be used.
- Any other use or use outside this framework is not considered as intended use. The manufacturer is not responsible for any damages arising from such use. The operator/user assumes all risks.



**Only a qualified professional can install the compressor and place it into operation for the first time. This professional is obliged to train operating staff as to the use and maintenance of the device. Installation and training of all operators shall be confirmed by the installer's signature on the certificate of installation.**



**Prior to installation, ensure that the compressor is free of all transport packaging and stabilizers to avoid any risk of damage to the product.**



**Parts of the air pump and suction unit may be hot and reach hazardous temperatures during compressor operation and may pose a contact risk for operators or materials. Burn or fire hazard! Caution! Hot surface!**

### Ambient operating conditions

<i>Temperature:</i>	+5°C to +40°C,
<i>Max. relative humidity:</i>	70%,
<i>Max. absolute humidity:</i>	15 g/m <sup>3</sup> .

## 12. PLACEMENT OF THE COMPRESSOR



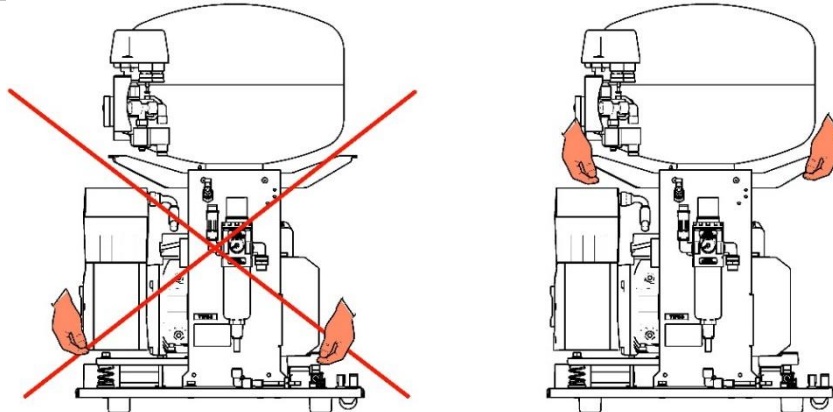
The device shall only be installed by a qualified professional.

- Unwrap the compressor from the packaging.

### 12.1. Handling and releasing the compressor

- Position the compressor at the site of future operation (Fig. 4)

Fig. 4

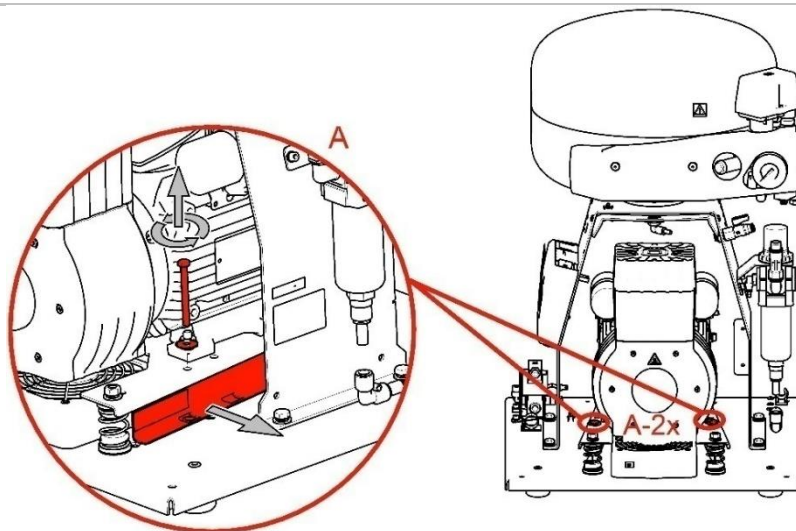


- Remove the transport securing elements/bolts from the air pumps. (Fig. 5)



Remove all devices used to secure the compressor air pump once the compressor set has been installed and mounted at the site of final installation!

Fig. 5

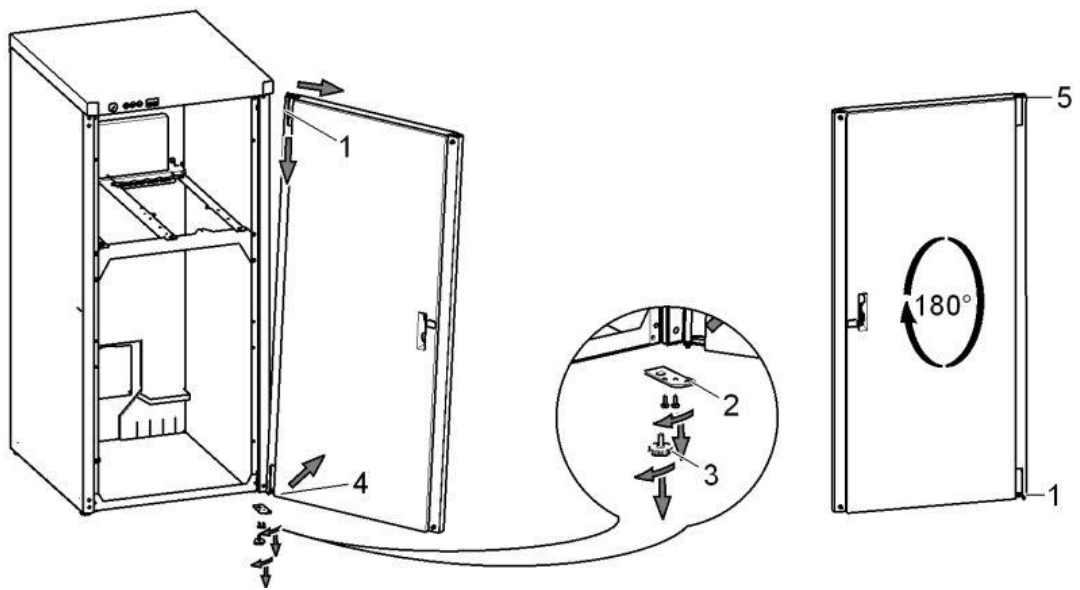


### 12.2. Changing door direction

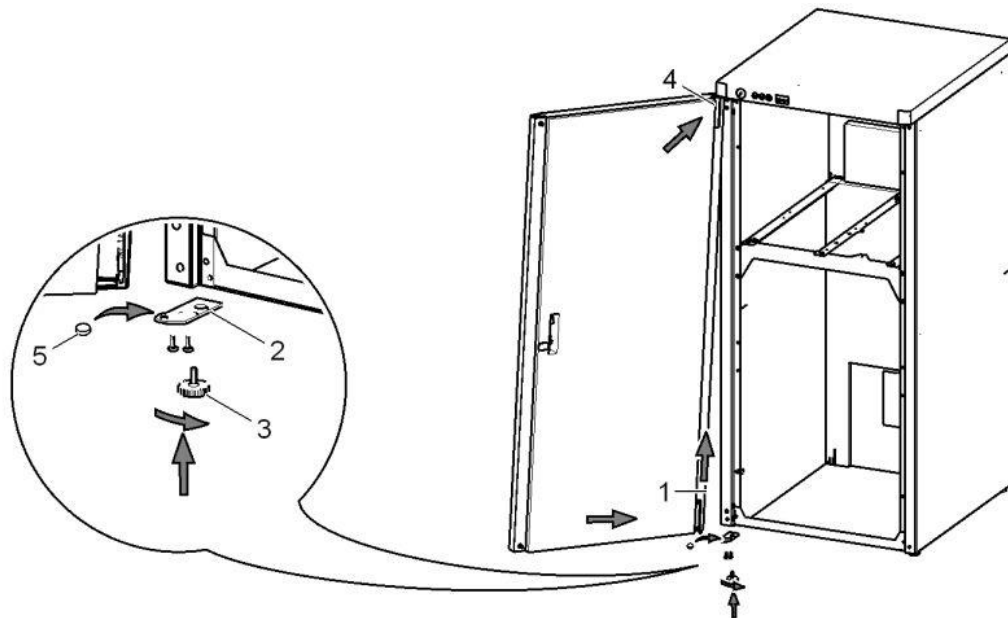
- Remove the door, rectification screw (3) and bracket (2) for hinge D (4).
- Install the bracket for hinge D (2) on the left side of the cabinet.
- Rotate the door 180°.
- Insert the spacer (5) between hinge H (1) and the bottom of the door.
- Install the door.
- Remove the door lock (6) and rotate 180°.
- Remove the latch (7) and rotate 180°.
- Install the lock.

DUO, DUO 2V, DUO 2

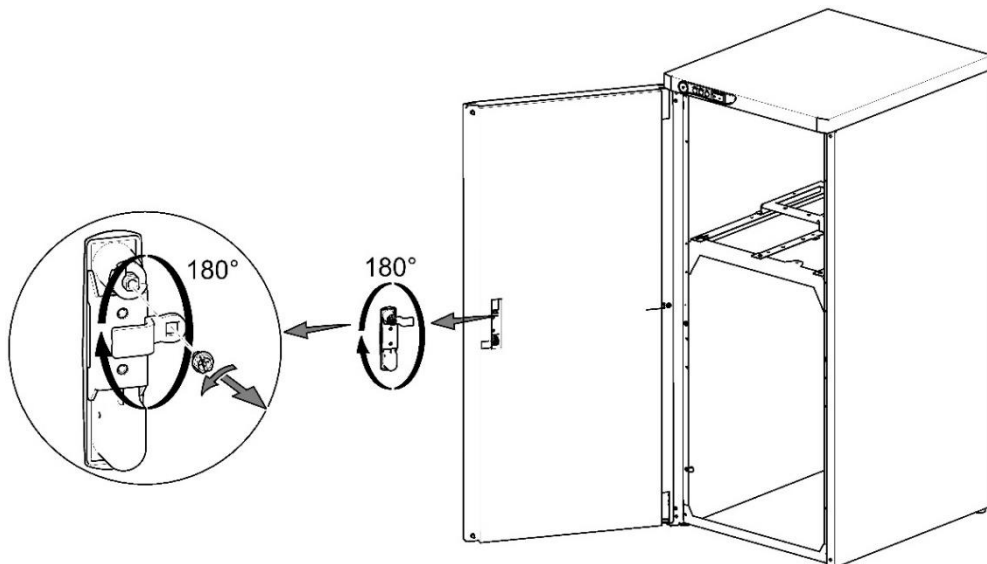
A



B



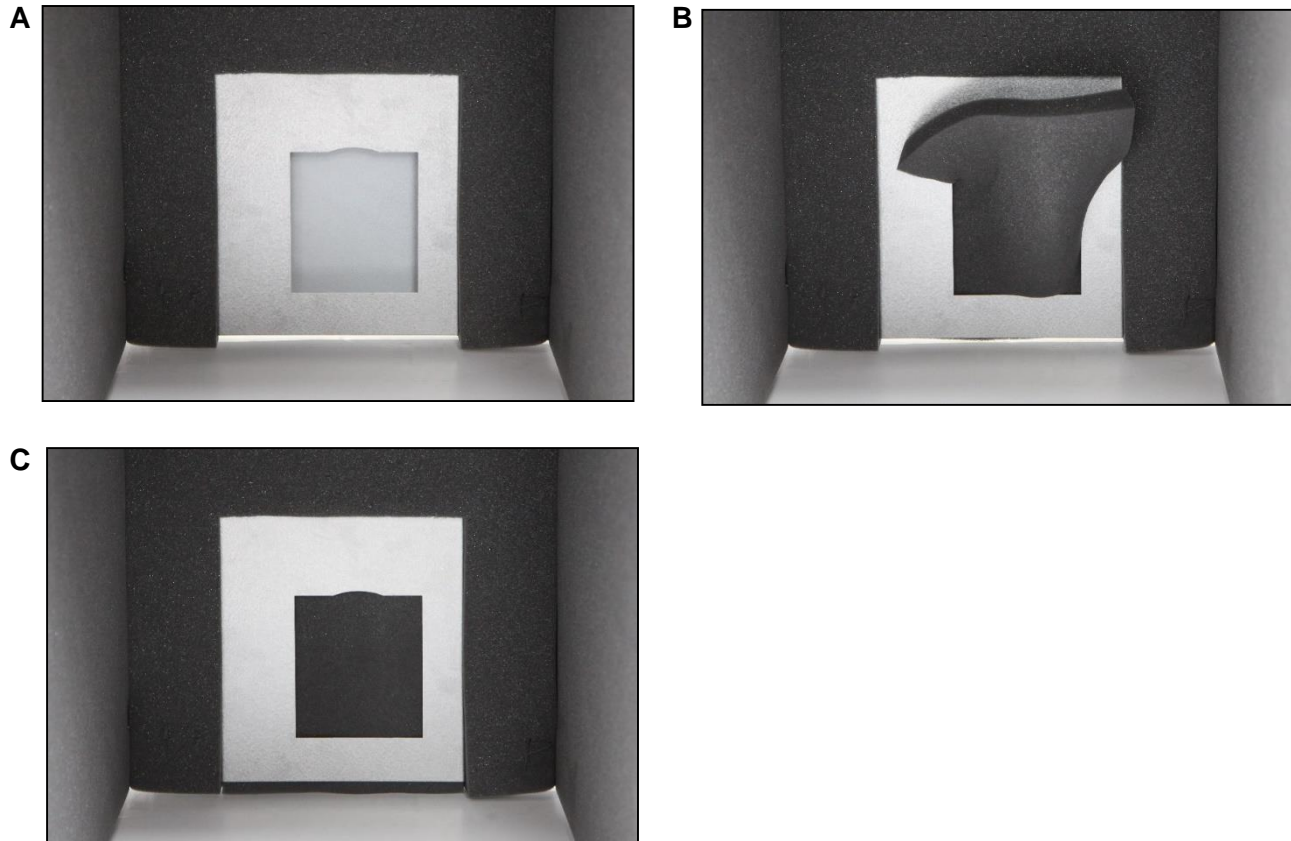
C



### 12.3. Adding sound-insulating material into the cabinet

A component from the sound-insulating material is to be installed in the opening of the cabinet of the compressor without a dryer.

This component is provided in the basic equipment delivered with the product.

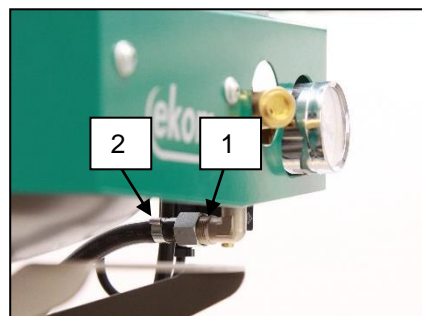


## 13. PNEUMATIC CONNECTIONS

### 13.1. Connecting to the compressed air outlet(Fig. 6)

The pressure line (2) is attached to the compressed air outlet (1) on the compressor. Run the hose to the compressed air manifold or directly to the dental set.

Fig. 6



Route the pressure hose through the opening in the rear wall of the cabinet for cabinet-mounted compressors. (Fig. 8)

### 13.2. Connecting the cabinet pressure gauge to the compressor (Fig. 7)

Remove the plug (1) from the threads (2) on the pneumatic block of the compressor. Connect the cabinet pressure gauge hose to the threaded fitting.

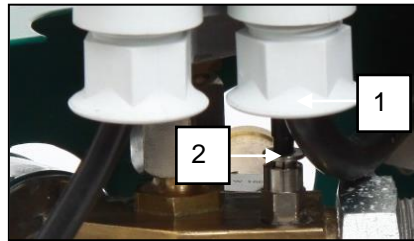
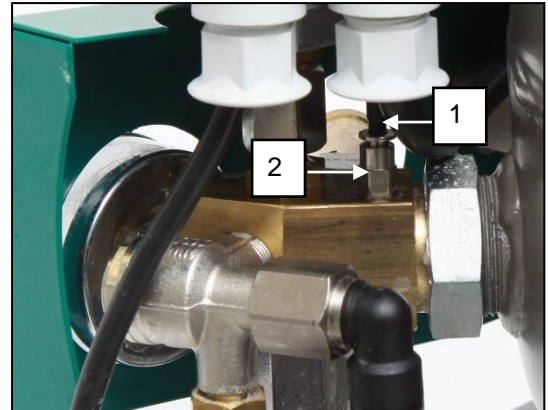


Fig. 7



### 13.3. Connecting the condensate vessel (Fig. 8)

- Route the hose (1) through the opening in the rear wall of the cabinet for compressor models with a dryer and connect it to the vessel.

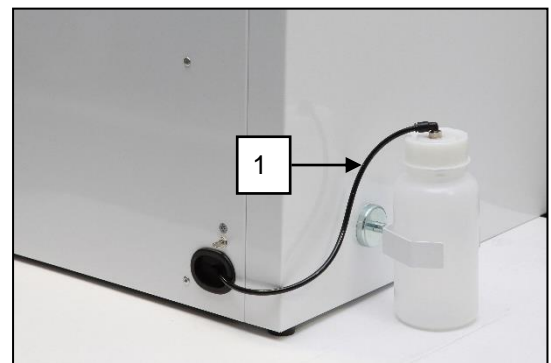


Fig. 8

### 13.4. Vacuum connector

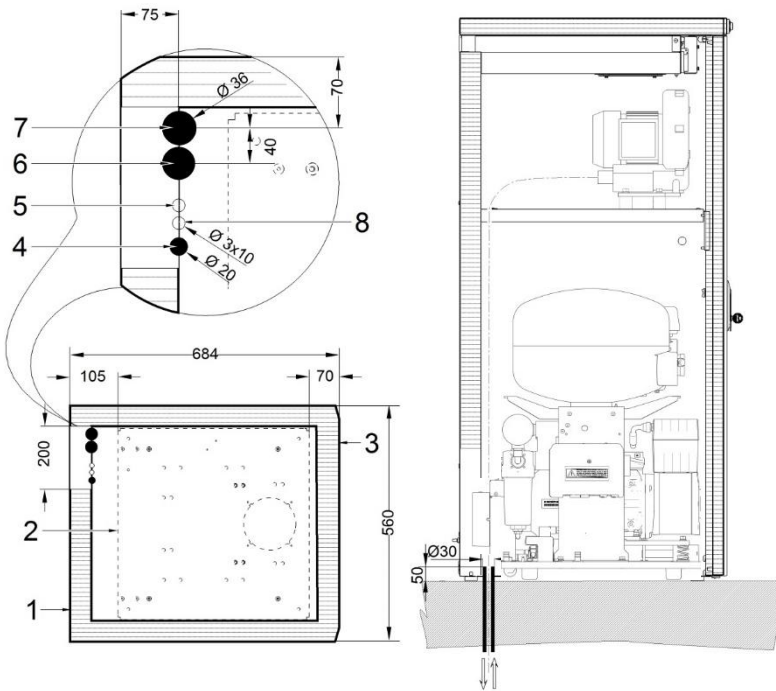
(Fig. 9)

The suction pump is equipped with suction and discharge hoses. Hoses connected to the inlet/outlet to and from the suction aggregate are routed along the rear wall of the cabinet to its lower part. Suction pump hoses may be connected to the piping in the floor or routed through the rear opening in the cabinet (10). Connect the suction hose to the device and the discharge hose to the piping routed outside the operator's work area. A noise silencer can be added at the suction unit outlet to reduce the noise level caused by air passing through the hose (see Chapter 8.2. Accessories). A noise silencer with a bacteriological filter must be added if the air outlet from the suction unit is vented to an indoor area.



**Risk of biological contamination. The discharge hose from the suction pump needs to be routed outside the operator's working area otherwise a silencer with a bacteriological filter needs to be added.**

Fig. 9A– DUO,DUO2V installation (distribution systems in the floor)



- 1 - Outline of the cabinet
- 2 - Outline of the base
- 3 - Front section - door
- 4 - Compressed air connection G3/8"
- 5 - Suction unit control input 2A x 0.75
- 6 - Suction unit intake
- 7 - Suction unit discharge
- 8 - Power supply input 230 V/50(60) Hz, 3G x 1.5
- 9 - Condensate drain for version with dryer

- all dimensions are in millimetres  
 - distance from the rear wall of the product

(Connected via the opening in the rear of the cabinet)

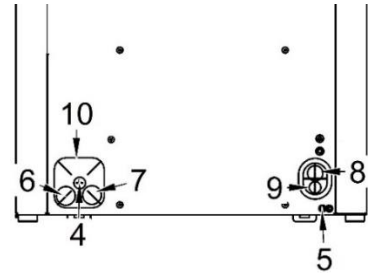
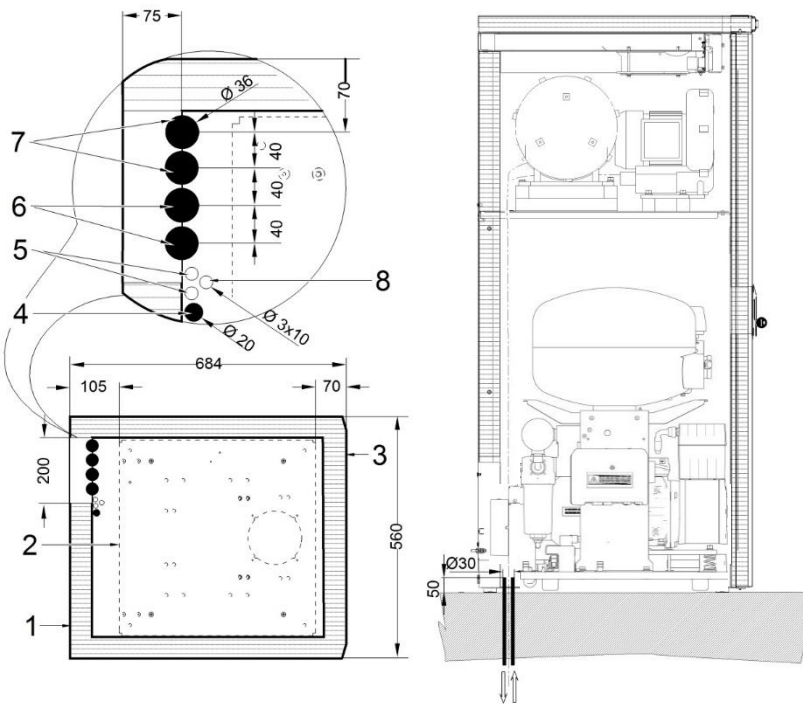


Fig. 9B – DUO2 installation (distribution systems in the floor)



- 1 - Outline of the cabinet
- 2 - Outline of the base
- 3 - Front section - door
- 4 - Compressed air connector G3/8"
- 5 - Control voltage feed for suction unit 2A x 0.75
- 6 - Intake + discharge from 1st suction unit
- 7 - Intake + discharge from 2nd suction unit (DUO 2)
- 8 - Power supply feed 230 V/50(60) Hz 3G x 1.5

- all dimensions in millimetres  
 - spacing from wall min. 100 mm

## 14. ELECTRICAL CONNECTIONS

The product is equipped with a grounded plug. Insert the mains plug into a rated mains socket.



**Ensure full compliance with all local electrical codes. The mains voltage and frequency must comply with the data stated on the device's label.**

- Keep the socket easily accessible to ensure that in an emergency the device can be safely disconnected from the mains.
- Connection to the power distribution cabinet must be max.16 A.
- Connect the pin for equipotential bonding  $\varnothing$  6 mm (1) to the electrical circuit using the defined method under valid electrical engineering regulations. The socket for equipotential bonding (2) is an accessory and is not provided in the basic package. (Fig. 10)

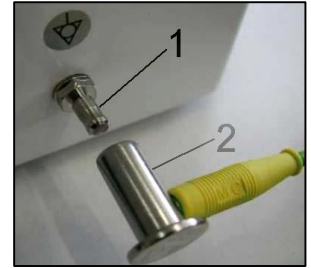


Fig. 10



**Ensure the electrical cable does not touch hot compressor components. Risk of electric shock!**



**If any electrical cord or air hose is damaged it must be replaced immediately.**

- Route the power cord the rear opening in the cabinet or connect to the floor outlet (Fig. 8, 9).

### 14.1. Suction unit control connector

(Fig. 11)

Route the suction unit control (24 V AC/DC) cord (12) through the opening in the rear of the cabinet (1) or the piping in the floor (11), and secure with the clips (2) located on the left panel of the cabinet at the bottom and through the cavity (3) in the front of the cabinet. Move the sound insulation (4) from the corners of the cabinet before inserting the cord into the clips. Remove the cover on the electrical circuit conduit (5) and the electrical panel cover (6). Connect the suction unit control cord to the printed circuit board as shown in the electrical diagram, insert into the cavity (3) in the front of the cabinet, behind the sound insulation on the side of the cabinet and into the electrical conduit (7).



**Ensure the electrical cable does not touch hot compressor components. It may damage the insulation!**

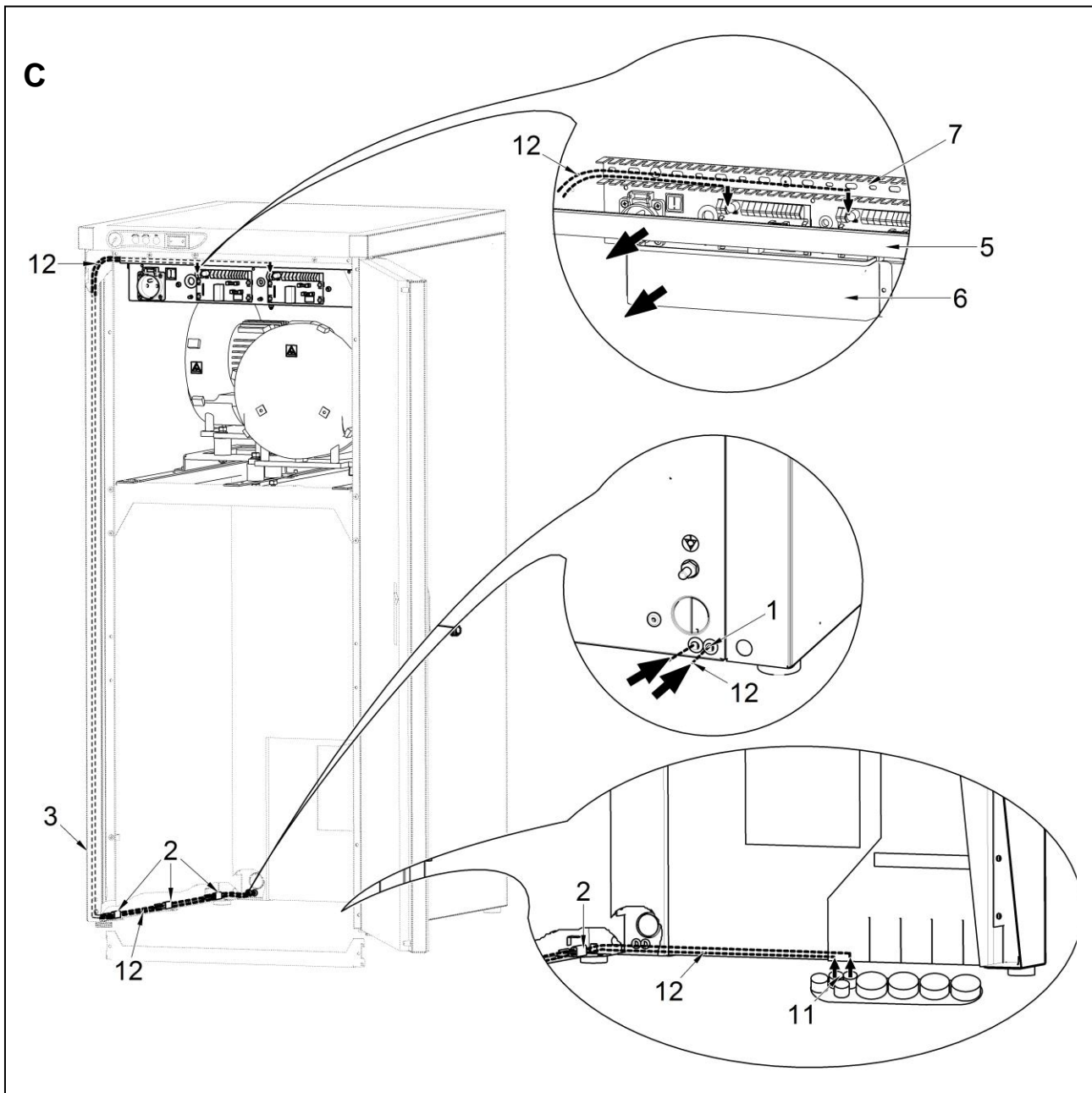
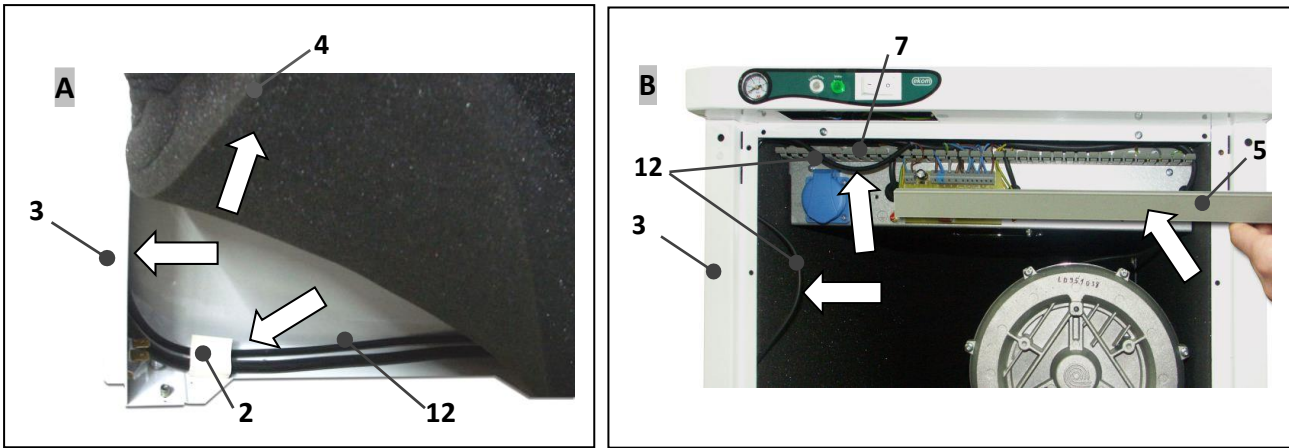


Fig.11



**DUO, DUO 2V, DUO 2**

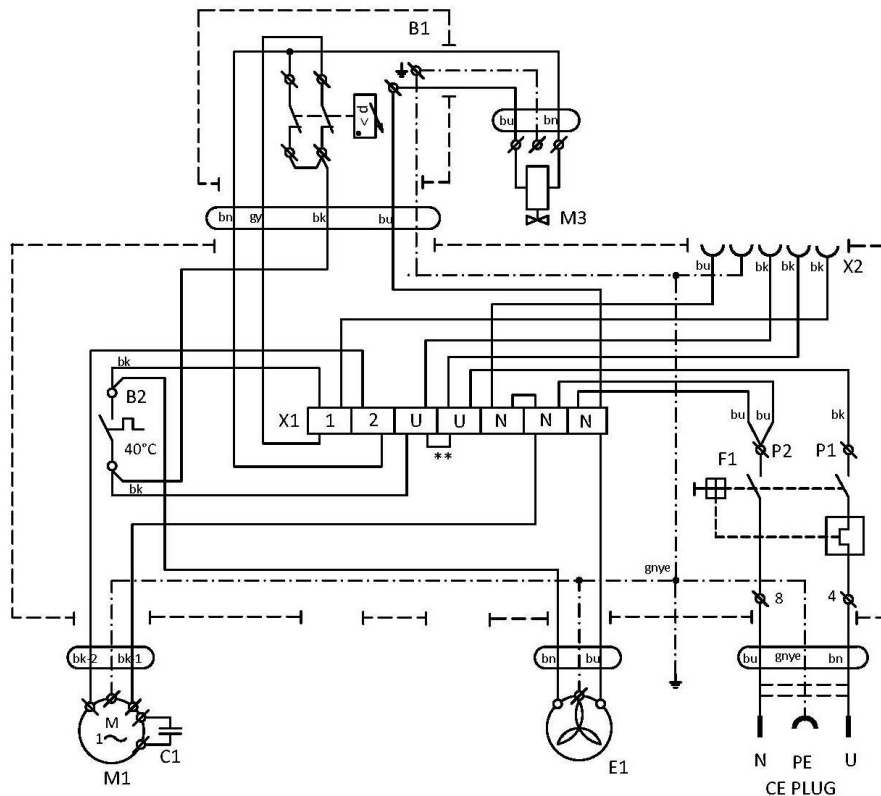
**15. CONNECTION DIAGRAM**

**DK50 PLUS, DK50 2V**

**5-7 bar, 6-8 bar**

1/N/PE ~ 230V/50Hz, 230V/60Hz

ELECTRIC OBJECT OF 1st. CAT.

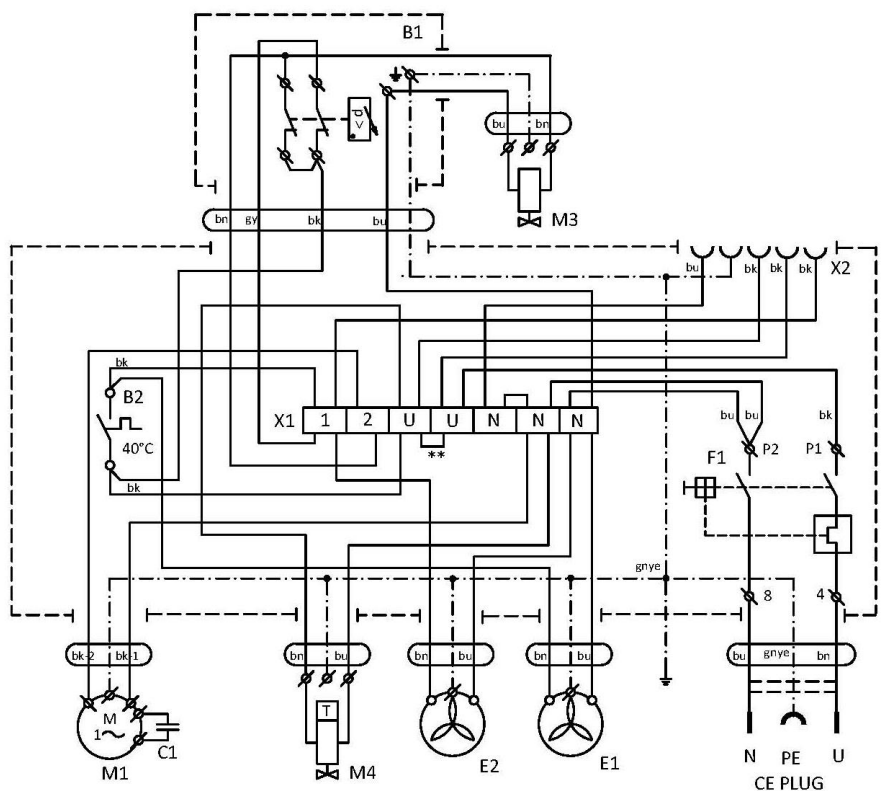


**DK50 PLUS/M, DK50 2V/M**

**5-7 bar, 6-8 bar**

1/N/PE ~ 230V/50Hz, 230V/60Hz

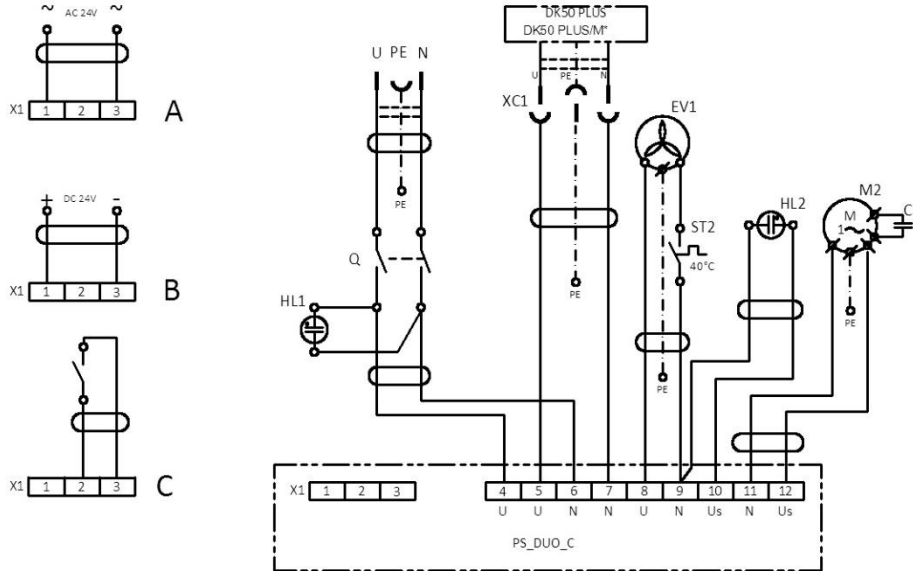
ELECTRIC OBJECT OF 1st. CAT.



Cabinet Duo with suction unit

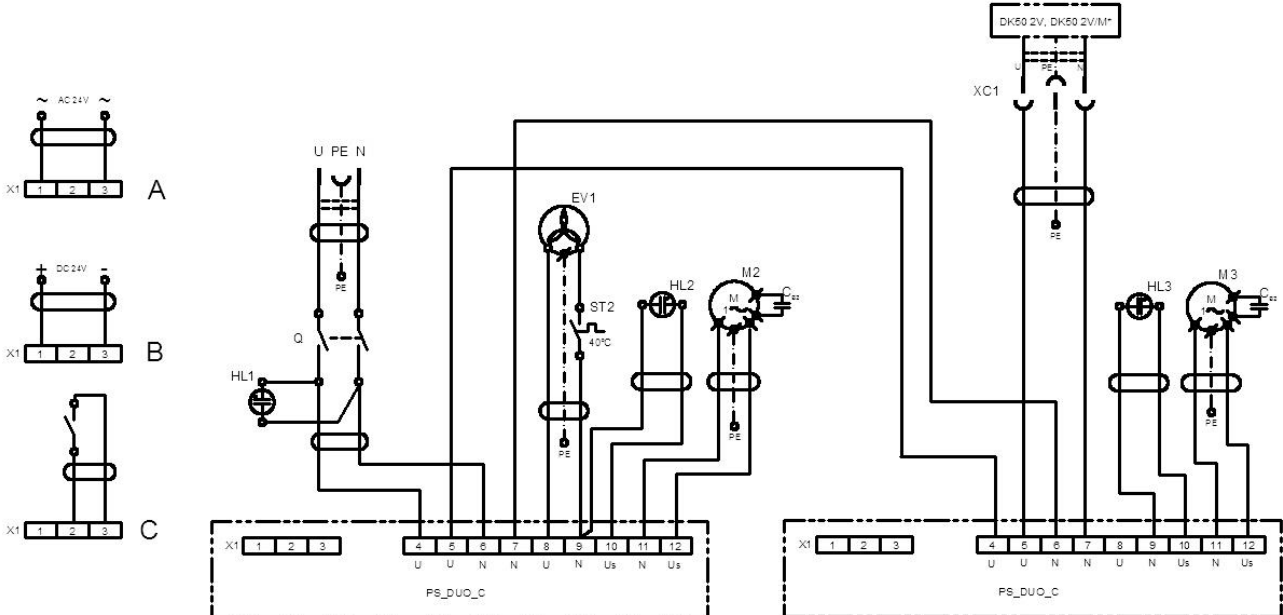
DUO

1/N/PE ~ 230V/50Hz, 230V/60Hz  
ELECTRIC OBJECT OF 1st. CAT.



DUO2, DUO 2V

1/N/PE ~ 230V/50Hz, 230V/60Hz  
ELECTRIC OBJECT OF 1st. CAT.



Legend for electrical diagram

M1	Compressor motor	X1	Terminal box
E1	Compressor fan	F1	Breaker switch
E2	Dryer fan	M4	Condensate drain valve
M3	Reliefvalve	XC1	Socket
B2	Temperature switch	HL1,HL2	Indicators
EV1	Cabinet fan	HL3	Indicators
X2	Connector	M2, M3	Suction unit motor
C1, Cb	Capacitor	ST2	Temperature switch
B1	Pressure switch	Q	Switch

**OPERATION**

**THE EQUIPMENT MAY ONLY BE OPERATED BY THE TRAINED STAFF!**



**IN CASE OF EMERGENCY, DISCONNECT THE COMPRESSOR FROM THE MAINS (PULL OUT THE MAINS PLUG).**



**THE AIR PUMP HAS HOT SURFACES.  
BURNS OR FIRE MAY RESULT IF CONTACT IS MADE.**



**During prolonged operation of the compressor and suction unit, the temperature in the cabinet may increase to over 40°C. At this point the cooling fan automatically switches on. After cooling the space to under 32°C, the fan switches off.**



**Automatic start: when pressure in the pressure tank decreases below the switch-on pressure, the compressor automatically switches on. The compressor automatically switches off when pressure in the air tank reaches the switch-off pressure.**



**The working pressure settings for the pressure switch set by the manufacturer cannot be changed. Compressor operation at a working pressure below the switch-on pressure indicates high air consumption (see the chapter Troubleshooting -Malfunctions)**



**Required drying performance can only be achieved when following the defined operating conditions!**



**Drying performance will decline and the achieved dew point will drop if the dryer is operated at any pressure below the minimum working pressure!**



**WHEN THE DRYER IS OPERATED AT AMBIENT TEMPERATURE THAT IS HIGHER THAN MAXIMUM OPERATING TEMPERATURE, THE DRYER MAY BE DAMAGED!**

**16. COMMISSIONING**

- Make sure all transport stabilizers were removed.
- Check that all pressurized air line connections are secure.
- Check to ensure power is connected correctly to the compressor.
- Check the connection of the the cabinet pressure gauge hose to the compressor pneumatic block. (Fig.3 a 7)
- Check the compressor's electrical cord in the cabinet socket (34). (Fig. 3)
- Check the connection of the suction unit control cord (12). (Fig. 11)
- Check the connection of the intake and discharge hoses. (Fig.9)
- Check the position of the breaker switch to ensure it is in the "I" position. Turn the breaker switch (4) to the "I" position if it is found in the "0" position. (Fig. 13)
- Turn the switch (5) on the front side of the cabinet to the "I" position; a green indicator indicates the device is in operation. (Fig. 13)



**The compressor is not equipped with a backup power supply.**

## 17. SWITCHING THE COMPRESSOR ON

(Fig. 12)

Start the compressor at the pressure switch (1) by turning the switch (2) to the “I” position. Check the position of the breaker switch to ensure it is in the “I” position. If not, turn the breaker switch (4) to the “I” position. Turn on the switch (5) on the front of the cabinet, the indicator will turn green. The compressor begins running, the air tank is filled, and the switching pressure and pressure switch turn the compressor off. The compressor operates in automatic mode, switched on and off by the pressure switch, depending on compressed air consumption.

Check the values of the switch-on and switch-off pressure using the pressure gauge (3). A tolerance of  $\pm 10\%$  is acceptable. The pressure in the air tank must not exceed the permitted operating pressure.

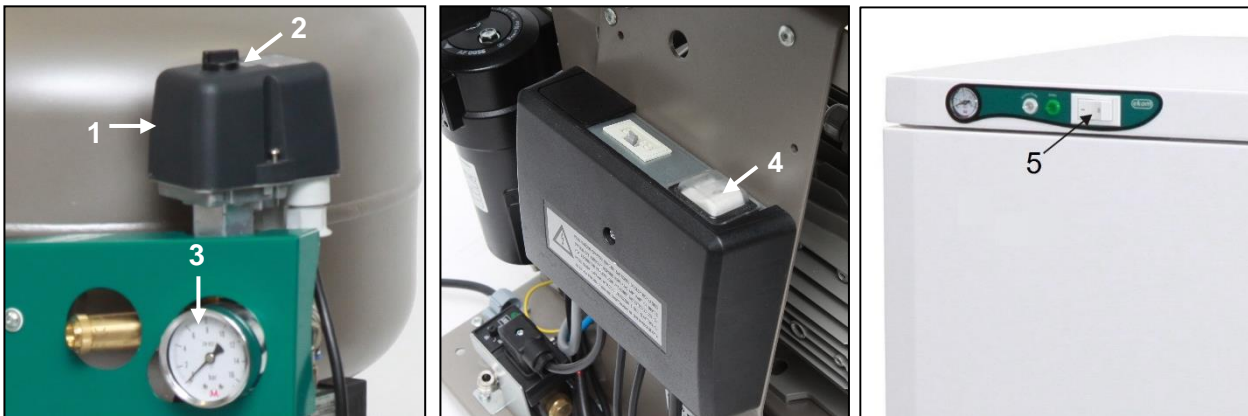


Fig.12



**Adjustments to the pressure range on the compressor’s pressure switch are prohibited. The pressure switch (1) was set up by the manufacturer and only a qualified technician trained by the manufacturer may make any changes to its settings.**

**Compressor with a suction unit** – when first started and placed into service, the compressor fills the air tank until the switching pressure and the pressure switch turn off the compressor. The compressor operates in automatic mode, switched on and off by the pressure switch, depending on compressed air usage.

The suction aggregate is controlled from the dental set. Suction unit operation is indicated by the white indicator on the front of the cabinet.

**Compressor with dryer** – the compressor operates in the same manner as above, only the compressed air passes through a cooler and a dryer that removes moisture from the compressed air.

## 18. COMPRESSOR SHUT-DOWN

(Fig.12)

Compressor shut-down for either service or any other reason is performed at the pressure switch (1) by turning the alternation switch (2) to the “0” position and **pulling the mains plug from the socket**. This disconnects the compressor from power supply. Vent the pressure in the air tank to zero by opening the drain valve. (Fig. 13)

**MAINTENANCE****19. DEVICE MAINTENANCE****Warning!**

The operator shall ensure completion of repeated testing of the device at least once every 24 months (EN 62353) or at intervals defined by applicable national legal regulations. A record of these test results shall be completed (e.g. per EN 62353, Annex G) together with the measurement methods.

The device has been designed and manufactured to keep maintenance to a minimum. The following work must be performed to retain the proper and reliable operation of the compressor.



**Before starting compressor maintenance work, it is necessary to check if the compressor can be disconnected from the device to ensure that the person using the device is not at risk of health damage and there is no risk of any other material damages!**



**Air pump components (head, cylinder, pressure hose, etc.) are very hot during and shortly after compressor operation – do not touch these components!**



**Repair works beyond normal maintenance can be performed only by qualified personnel or the manufacturer's customer service.  
Use only spareparts and accessories approved by the manufacturer.**



**PROTECT EYESIGHT, WEAR GOGGLES, WHEN VENTING COMPRESSED AIR FROM THE COMPRESSED AIR CIRCUIT (AIR TANK).**

The work below may only be performed by trained personnel as follows:



**BEFORE STARTING ANY MAINTENANCE WORK, FIRST DISCONNECT THE COMPRESSOR FROM THE MAINS (PULL OUT THE MAINS PLUG) AND VENT THE COMPRESSED AIR FROM THE AIR TANK.**



**Allow the equipment to cool down before maintenance, service or connecting/disconnecting the compressed air supply!**



**Reconnect the grounding lead if removed during service work to its previous location once the work is complete.**



**The suction unit may be contaminated. In case of its repair it is necessary to send the suction unit to the specialized organisation for decontamination or to EKOM spol.s r.o.**

**19.1. Maintenance intervals**

Time interval <sup>e)</sup>	50 Hz	once a day	once a week	once a year	once every 2 years	2000 h	4000 h	6000 h	8000 h	10000 h	12000 h	Chapter	Set of spare parts	Performed by
	60 Hz					1600 h	3200 h	4800 h	6400 h	8000 h	9600 h			
Product operational checks		x										19.2	-	user
Drain the condensate from the air tank - At high RH ) <sup>b)</sup> - Pour the condensate out of the vessel <sup>d)</sup>		x										19.5	-	user
Drain the condensate from the air tank - At normal RH ) <sup>b)</sup>			x									19.5	-	user
Product function check			x									9	-	user
Leak check connections and inspect device				x								19.3	-	qualified professional
Inspection of electrical connections				x								19.4	-	qualified professional
Cooler and fan check				x								19.9	-	qualified professional
Filter element replacement in the dryer filter				x								19.8	025200304-000	qualified professional
Safety valve check				x								19.6	-	qualified professional
Replacing the inlet filter on the DK50 PLUS air pump <sup>a)</sup>					x		x		x			19.7	025200126-000	qualified professional
Replacing the inlet filter and pre-filter on the DK50 2V air pump <sup>a)</sup>					x		x		x			19.7	025200139-000 025200150-000	qualified professional
Conduct a "repeated test" per EN 62353					x							19		qualified professional

a) data is presented in hours; if not possible, then the data is considered in years

b) only for compressors without dryers

c) For 60 Hz compressor models, reduce the time interval in hours by 20%

(2000h./1600h., 4000h./3200h., 6000h./4800h., 8000h./6400h., 10000h./8000h., 12000h./9600h.)

d) only for compressors with dryers

### 19.2. Operational checks

- Check air pump condition – the air pumps should be operating normally without excessive vibration or noise. Troubleshoot any problem or call in service personnel if trouble is detected
- Visually inspect fan operation – the fans must be operating when the air pumps are running. Troubleshoot any problem or call in service personnel if trouble is detected
- Check to ensure the power cable and pneumatic hoses are undamaged. Replace damaged components or call in service personnel.
- Check the ambient temperature – the ambient temperature must be below the temperature limit (40 °C). Cool the space if the temperature is high.
- On the compressor with dryer – open the plug on the condensate collecting bottle to drain the condensate.

### 19.3. Pneumatic connection leakage check and device inspection

#### Leakage check:

- Perform the leakage check of pneumatic connections when the compressor is operating – pressurizing.
- Use a leakage analyser or soapy water to check all joints and connections for leaks. Tighten or reseal the connection where leaks are found.

#### Device inspection:

- Check the condition of the air pump for normal operation and noise levels.
- Fan operation check - the fans must be running during the defined compressor work cycles
- Check of temperature switch operation (B2) – heat the temperature switch to a temperature above 40°C (e.g. using a heat gun, being careful not to warp any plastic pieces nearby). Fan EV1 (and EV2 for a compressor with dryer) will start up once the temperature reaches 40°C so long as power is connected to the compressor.
- Check filter condition – the filters must be undamaged and sufficiently clean.
- Check the condition of the air pump itself - ensure there is no contamination inside the crankcase or play in the crankshaft

Replace any defective parts as needed.

### 19.4. Inspection of electrical connections



**Check all electrical connections on the device with the mains disconnected!**

#### Inspection

- Check the mechanical function of the main switch.
- Check to ensure the power cable and connected wires are undamaged.
- Visually inspect the connection of individual cables to the terminal strip.
- Inspect all screw terminals for the protective green and yellow PE grounding conductor.

### 19.5. Condensate drain

#### Compressors (Fig. 13)

Draining the condensate from the pressure vessel is recommended during regular operation. Switch off the compressor at the mains. Reduce air pressure in the device to max. 1 bar by releasing air via a connected device. Install the hose from the basic package into the drain valve. Put the vessel under the hose and release the condensate from the tank by opening the release valve (1).

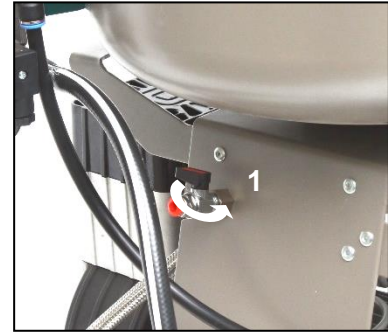


Fig. 13



**Carefully and slowly open the drain valve. Quickly opening the drain valve is accompanied by a loud sound and uncontrollable stream of accumulated condensate.**

Compressors without a dryer may be equipped with the Automatic Condensate Drain to allow the condensate to drain without operator intervention (see chap. 8.2.).

#### Compressors with air dryer (Fig.14)

Condensate from compressors with air dryers is automatically drained into a collecting bottle. The bottle must be drained regularly.



Fig.14



**Monitor the level in the vessel using the 1 l or 2 l markings (depending on the volume of the vessel), and empty at least once a day. The vessel may overflow if the condensate is not drained out of the vessel at the defined interval.**



**Risk of slipping on a wet floor in case of the collecting bottle overflow.**



**THE FOLLOWING IS REQUIRED BEFORE ANY FOLLOW-UP CHECKS:**

**Compressors with cabinet** - release the door lock and open the cabinet door.

### 19.6. Safety valve check

(Fig. 15)

When the compressor is operated for the first time, make sure that the safety valve is working properly. Turn the screw (2) on the safety valve (1) several rotations to the left until the safety valve releases air. Let the safety valve vent for only a few seconds. Turn the screw (2) to the right until it seats, closing the valve.



Fig.15



**Never use the safety valve to vent air pressure in the air tank. It could damage the safety valve. The valve is set to the maximum permitted pressure by the manufacturer. Adjustments are not permitted!**



**WARNING! COMPRESSED AIR IS DANGEROUS BECAUSE OF THE RISK OF DAMAGE TO THE EYES! RISK OF DAMAGE TO THE EYES.**



**DUO, DUO 2V, DUO 2**

**19.7. Replacing the inlet filter and pre-filter**

(Fig. 16)

The inlet filter is located inside the compressor crankcase cover.

Inlet filter replacement:

- Pull out the rubber plug by hand (2).
- Remove the used filter (1).
- Insert a new filter and replace the rubber plug.

Pre-filter replacement:

- Pull out the pre-filter by hand (3).
- Replace the element and re-insert.

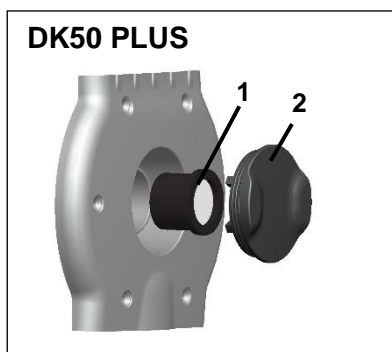
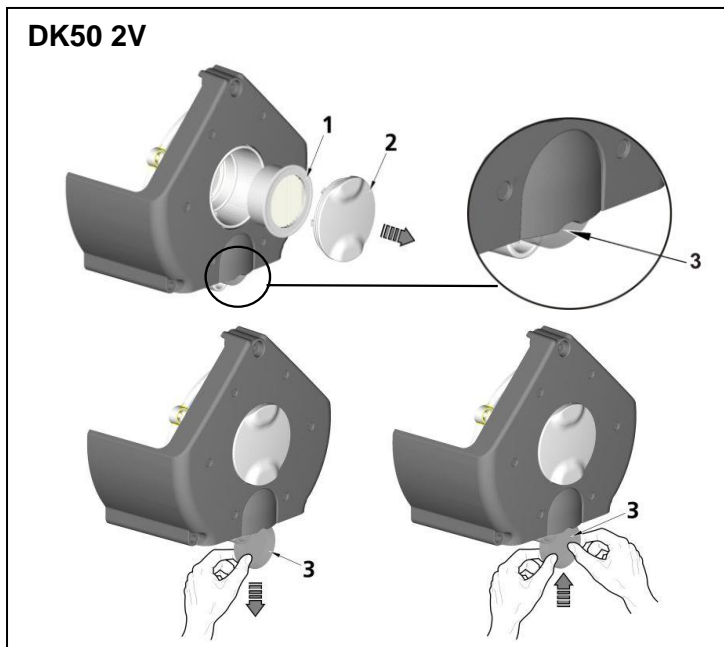


Fig. 16



**19.8. Filter element replacement**

(Fig. 17)

- Remove the hose (1) from the quick connector.
- Use a wrench (2) to release the filter vessel (3) and remove.
- Pull down on the filter element (4) to remove.
- Insert a new filter element.
- Re-install the filter vessel.
- Gently tighten the filter vessel with the wrench.
- Re-install the hose on the quick connector.

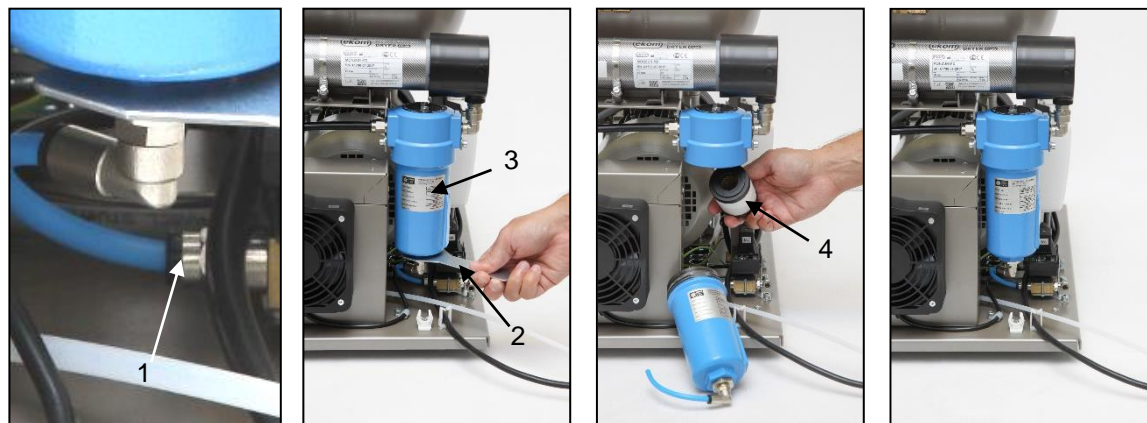


Fig. 17

**19.9. Cooler and fan check (Fig. 2)**

The equipment, in particular the compressor fan, cooler fan (21), and the cooler (14), must be kept clean to ensure efficient drying. Remove dust from surface of the fan or cooling fins by vacuuming or blowing down with compressed air.

### 19.10. Cleaning and disinfection of the exterior surfaces of the product

Use neutral agents for cleaning and disinfection of the external surfaces of the product.



The use of aggressive cleaning agents and disinfectants comprising alcohol and chlorides may lead to the damage of the surface and the discoloration of the product.

### TROUBLESHOOTING



Before proceeding, depressurize the air tank to zero and disconnect the device from the mains.

The equipment, in particular the cooling fan, must be kept clean to ensure the long-term efficiency of the cooler – the cooling fins must be cleaned occasionally to remove any dust.

Troubleshooting can be performed only by qualified personnel.



To follow the rules of personal hygiene for works with contaminated material. To separate, label, packing and providing for decontamination of contaminated parts by course of national regulations.

MALFUNCTIONS	POSSIBLE CAUSE	REMEDY
Compressor does not start	No voltage at the pressure switch  Motor winding failure, damaged thermal overload protection Faulty capacitor Seized piston or other rotating part Pressure switch does not switch	Check voltage in socket Check the breaker switch - and switch to the "I" on position Loose conductor at terminal – tighten Check the electrical cord – replace defective cord Replace motor or windings  Replace capacitor Replace damaged parts Check the function of the pressure switch
Compressor often switches on	Air leak in compressed air distribution system Leaking non-return valve  Large volume of condensed liquid in pressure vessel Low compressor performance	Check compressed air distribution system – seal loose joints Clean non-return valve, replace seals, replace non-return valve Drain condensed liquid Check the time to fill the air tank
Low pressure in air tank (compressor running constantly)	High air usage by device, Leak from pneumatic distribution system, Low air pump output Air pump malfunction  Dryer malfunction	Decrease air consumption Use compressor with higher capacity Check pneumatic system – seal loose connections Clean / replace the pump Clean / replace the pump Replace dryer

## DUO, DUO 2V, DUO 2

Prolonged operation of the compressor	Leak from pneumatic distribution system Worn piston ring Inlet filter is plugged Defective solenoid valve	Check compressed air distribution system – seal loose joint Replace worn piston ring Replace old filter with a new filter Repair or change the valve or coil
Compressor is noisy (knocking, metal noises)	Damaged piston bearing, piston rod, motor bearing Loose or cracked spring	Replace damaged bearing Replace damaged spring
The suction unit is not running, or is running irregularly	No voltage at the suction unit terminals	Check voltage in socket Check the fuses - replace faulty fuse Loose terminal - tighten Check the electrical cord - replace defective cord Check for control voltage
	Other mechanical defect in suction unit	Damaged bearing, damaged suction unit impeller - call a service centre
	Suction unit overheating (thermal protection device tripped)	Check the cabinet fan for proper operation - replace if not working Inspect the suction and discharge lines for damage – (replace damaged hoses and remove foreign items)
Suction unit produces no or little suction, motor running	Leak in suction lines, foreign item in suction piping, plugged exhaust line	Check connections on the suction line, seal leaks, remove foreign items
Dryer doesn't dry (condensed water in the air) *	Cooling fan not working	Replace the fan Check the power source
	Damaged dryer	Replace the dryer
	Non-functioning automatic condensate drain	Clean / replace

)\* After a dryer malfunction, the interior surfaces of the air tank must be thoroughly cleaned and all condensed liquid removed.

**Check the dew point of the air leaving the air tank (see Chapter 7 - Technical data) to protect the device from damage!**

## 20. REPAIR SERVICE

Guaranteed and post-guarantee repairs must be done by the manufacturer, its authorized representative, or service personnel approved by the supplier.

**The manufacturer reserves the right to make changes to the device without notice. Any changes made will not affect the functional properties of the device.**

## 21. STORAGE

If the compressor will not be used for a prolonged time period, drain all condensate from the air tank. Then turn on the compressor for 10 minutes, keeping the drain valve open (1) (Fig. 13). Switch off the compressor using the switch (2) at the pressure switch (1) (Fig. 12), close the drain valve and disconnect the device from the mains.

## 22. DISPOSAL OF THE DEVICE

- Disconnect the device from the mains.
- Release air pressure in the pressure tank by opening the drain valve (1) (Fig. 13).
- Follow all personal hygiene rules when working with contaminated materials.
- Separate, label, pack, and secure the decontamination of contaminated parts as per national regulations.
- Dispose of the device following all applicable environmental regulations.
- Entrust a specialised company to sort and dispose of waste.
- Worn out components have no negative environmental impact.



**Internal parts of the suction unit may be contaminated with biological material as a result of inappropriate use. Hand over the device to a specialised organisation for decontamination before sorting and disposing of the unit as waste.**

## INHALT

<b>WICHTIGE INFORMATIONEN .....</b>	<b>42</b>
1. ÜBEREINSTIMMUNG MIT DEN ANFORDERUNGEN DER EU-RICHTLINIEN .....	42
2. BESTIMMUNGSGEMÄÑE VERWENDUNG .....	42
3. GEGENANZEIGEN UND NEBENWIRKUNGEN.....	42
4. WARNHINWEISE UND -SYMBOLE.....	42
5. WARNHINWEISE .....	43
6. LAGERUNG UND TRANSPORT.....	45
7. TECHNISCHE DATEN .....	46
8. PRODUKTBE SCHREIBUNG .....	53
9. PRODUKTFUNKTION.....	55
10. DRUCKLUFTPLAN.....	60
<b>INSTALLATION .....</b>	<b>61</b>
11. EINSATZBEDINGUNGEN.....	61
12. AUFSTELLEN DES KOMPRESSORS.....	62
13. PNEUMATISCHE ANSCHLÜSSE.....	64
14. ELEKTRISCHE ANSCHLÜSSE .....	67
15. ANSCHLUSSDIAGRAMM .....	69
<b>BEDIENUNG .....</b>	<b>71</b>
16. INBETRIEBNAHME .....	71
17. EINSCHALTEN DES KOMPRESSORS .....	72
18. ABSCHALTEN DES KOMPRESSORS .....	72
<b>WARTUNG .....</b>	<b>73</b>
19. WARTUNG DES GERÄTS .....	73
<b>FEHLERBEHEBUNG.....</b>	<b>78</b>
20. INFORMATIONEN ZU REPARATURBETRIEBEN .....	80
21. LAGERUNG .....	80
22. ENTSORGUNG DES GERÄTS.....	80
<b>ANHANG .....</b>	<b>281</b>
23. INSTALLATIONSPROTOKOLL.....	282

## WICHTIGE INFORMATIONEN

### 1. ÜBEREINSTIMMUNG MIT DEN ANFORDERUNGEN DER EU-RICHTLINIEN

Dieses Produkt erfüllt die Anforderungen der Medizinproduktrichtlinie (93/42/EEG) und ist bei bestimmungsgemäßer Verwendung sicher, sofern alle Sicherheitshinweise beachtet werden.

### 2. BESTIMMUNGSGEMÄßE VERWENDUNG

Der Kompressor und die Absauganlage werden als Quelle für saubere, ölfreie Druckluft zum Antrieb und zur Kühlung von Druckluftgeräten an Dental-Sets und als Vakuumquelle für Absaugsysteme verwendet. Das Gerät kann mit allen Arten von Dental-Sets verwendet werden, die in einem Absaugblock enthalten sind.



**Die durch den Kompressor bereitgestellte Druckluft ist nicht für die Nutzung mit Geräten zur künstlichen Beatmung geeignet, wenn zuvor keine weitere Filterung erfolgte.**

Jegliche Nutzung des Produkts über die bestimmungsgemäße Verwendung hinaus gilt als unsachgemäße Nutzung. Der Hersteller haftet nicht für Schäden oder Verletzungen aufgrund einer unsachgemäßen Nutzung.

### 3. GEGENANZEIGEN UND NEBENWIRKUNGEN

Es sind keine Gegenanzeigen oder Nebenwirkungen bekannt.

### 4. WARNHINWEISE UND -SYMBOLE

Die folgenden Symbole werden im Benutzerhandbuch, auf dem Gerät und auf der Verpackung verwendet, um auf wichtige Details und Informationen hinzuweisen:



Allgemeine Warnhinweise



Warnung



Gefahr, Stromschlaggefahr



Siehe Benutzerhandbuch



Befolgen Sie das Benutzerhandbuch



CE-Kennzeichnung



Der Kompressor wird fernbedient und kann ohne Warnung starten



Vorsicht! Heiße Oberfläche



Erdungsanschluss



Klemme für Erdungsanschluss



Handhabungshinweis auf Verpackung – ZERBRECHLICH



Handhabungshinweis auf Verpackung – HIER OBEN



Handhabungshinweis auf Verpackung – VOR NÄSSE SCHÜTZEN



Handhabungshinweis auf Verpackung – ZULÄSSIGE TEMPERATURBEREICHE



Handhabungshinweis auf Verpackung – BESCHRÄNKT STAPELBAR



Hinweis auf Verpackung – RECYCELBARES MATERIAL



Hersteller



Biologische Gefahr

## 5. WARNHINWEISE

Das Produkt wurde so entwickelt und hergestellt, dass der Benutzer und die Umgebung sicher sind, wenn das Produkt ordnungsgemäß verwendet wird. Beachten Sie die folgenden Warnhinweise.

### 5.1. Allgemeine Warnhinweise

LESEN SIE VOR DER VERWENDUNG DES GERÄTS DAS BENUTZERHANDBUCH SORGFÄLTIG DURCH UND BEWAHREN SIE ES FÜR DIE KÜNFTIGE NUTZUNG AUF!

- Das Benutzerhandbuch enthält Anleitungen zur korrekten Installation, Bedienung und Wartung des Produkts. Eine sorgfältige Durchsicht dieses Handbuchs liefert Ihnen die notwendigen Informationen für den korrekten Betrieb des Produkts.
- Die Originalverpackung sollte für die Rücksendung des Geräts aufbewahrt werden. Nur die Originalverpackung garantiert einen optimalen Transportschutz des Geräts. Falls eine Einsendung des Produkts während der Garantiezeit notwendig werden sollte, haftet der Hersteller nicht für Schäden, die auf eine mangelhafte Verpackung zurückzuführen sind.
- Schäden, die durch die Nutzung von anderem als dem vom Hersteller vorgeschriebenen Zubehör entstehen, sind von dieser Gerätegarantie ausgeschlossen.
- Der Hersteller garantiert die Sicherheit, Zuverlässigkeit und Funktion des Geräts nur, wenn:
  - Montage, Neueinstellungen, Änderungen, Erweiterungen und Reparaturen durch den Hersteller oder einen vom Hersteller autorisierten Dienstleister erfolgen
  - das Produkt gemäß den Vorgaben des Benutzerhandbuchs verwendet wird

- Das Benutzerhandbuch entspricht zum Zeitpunkt seines Drucks den Produktmodellen und deren Erfüllung der geltenden Sicherheits- und Technikstandards. Der Hersteller behält alle Rechte an seinen Konfigurationen, Verfahren und Namen.
- Die Übersetzung des Benutzerhandbuchs erfolgte nach bestem Wissen. Bei Unsicherheiten gilt die slowakische Version.
- Dieses Benutzerhandbuch ist die deutsche Übersetzung der Originalanleitung. Die Übersetzung erfolgte nach bestem Wissen.

## 5.2. Allgemeine Sicherheitswarnungen

Der Hersteller hat das Produkt so entwickelt und hergestellt, dass bei korrekter Nutzung entsprechend der bestimmungsgemäßen Verwendung die Risiken minimal sind. Der Hersteller legt die folgenden Sicherheitsvorschriften für den Gebrauch des Geräts fest.

- Die Verwendung und Bedienung des Produkts muss den am Standort geltenden Vorschriften und Gesetzen entsprechen. Der Bediener und Nutzer des Produkts muss alle gültigen Vorschriften einhalten, um eine sichere Arbeit zu gewährleisten.
- Nur die Nutzung von Originalteilen gewährleistet die Sicherheit des Bedienpersonals sowie ein reibungsloses Funktionieren des Produkts. Es dürfen nur Zubehör- und Ersatzteile verwendet werden, die in der technischen Dokumentation aufgeführt oder ausdrücklich vom Hersteller zugelassen sind.
- Der Bediener muss vor jeder Nutzung das korrekte und sichere Funktionieren des Geräts überprüfen.
- Der Nutzer muss sich mit der Bedienung des Geräts vertraut gemacht haben.
- Das Produkt darf nicht in explosionsgefährdeten Bereichen eingesetzt werden.
- Der Benutzer muss den Lieferanten sofort bei Problemen informieren, die in Verbindung mit dem Betrieb des Geräts auftreten.

## 5.3. Sicherheitswarnhinweise zum Schutz vor elektrischem Strom

- Das Gerät darf nur an einen ordnungsgemäß installierten Stromkreis angeschlossen werden.
- Vor dem Anschluss des Produkts muss sichergestellt werden, dass die auf dem Gerät angegebene Netzspannung und Netzfrequenz mit den Werten des Versorgungsnetzes übereinstimmen.
- Überprüfen Sie das Gerät vor der Inbetriebnahme auf Schäden an den Druckluftleitungen und Stromkabeln. Beschädigte Druckluftleitungen und Stromkabel sind sofort zu ersetzen.
- Trennen Sie das Produkt sofort vom Stromnetz (dazu Netzkabel aus der Steckdose ziehen), wenn eine Gefahrensituation oder ein technischer Fehler auftritt.
- Stellen Sie bei allen Reparatur- und Wartungsarbeiten sicher, dass:
  - der Netzstecker aus der Steckdose gezogen wurde
  - Der Druck aus allen Druckluftbehältern und -leitungen abgelassen wurde
- Das Gerät muss von einem qualifizierten Fachmann installiert werden.



## 6. LAGERUNG UND TRANSPORT

Der Kompressor wird ab Werk in einer Transportverpackung versendet. Diese schützt das Gerät während des Transports vor Schäden.



**Die Originalverpackung des Kompressors muss bei jedem Transport verwendet werden. Transportieren Sie den Kompressor in aufrechter Position und stets mit Transportsicherung.**



Während des Transports und der Lagerung ist der Kompressor vor Feuchtigkeit, Verunreinigungen und extremen Temperaturen zu schützen. Lagern Sie den Kompressor in seiner Originalverpackung an einem warmen, trockenen und staubfreien Ort. Keinesfalls in der Nähe von chemischen Substanzen lagern.



Bewahren Sie das Verpackungsmaterial auf, sofern möglich. Sollte dies nicht möglich sein, entsorgen Sie das Verpackungsmaterial auf umweltfreundliche Art. Der Verpackungskarton kann mit Altpapier recycelt werden.



**Der Kompressor darf nur transportiert werden, wenn alle Luft abgelassen wurde. Der Kompressor darf nur drucklos transportiert werden. Vor dem Transport stets die Druckluft aus dem Druckbehälter und den Druckschläuchen ablassen; zusätzlich das Kondensat aus dem Druckbehälter entleeren.**



**Lagerung oder Versand des Geräts in einem anderen als in dem vorgeschriebenen Zustand ist strikt untersagt.**

### Umgebungsbedingungen für Lagerung und Transport

Die Produkte dürfen nur unter den folgenden Bedingungen in Fahrzeugen gelagert und transportiert werden, die keine Spuren flüchtiger Chemikalien aufweisen:

Temperatur: -25 °C bis +55 °C, 24 Std. bis +70 °C

Relative Feuchtigkeit: 10 % bis 90 % (nicht kondensierend)

**7. TECHNISCHE DATEN**

Die Kompressoren wurden für trockene und belüftete Innenräume mit den folgenden Umgebungsbedingungen entwickelt:

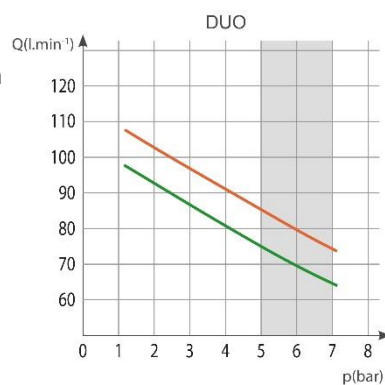
Temperatur: +5 °C bis +40 °C  
 Max. relative Feuchtigkeit: 70 %  
 Max. absolute Feuchtigkeit: 15 g/m<sup>3</sup>

Tab.1

		<b>DUO</b>	<b>DUO/M</b>
Kompressor 5 – 7 bar		DK50 PLUS	DK50 PLUS/M
Absauganlage		1	1
Nennspannung / Frequenz (*)	V / Hz	230 / 50 230 / 60	230 / 50 230 / 60
Kapazität bei 5 bar	Lit.min <sup>-1</sup>	75 85	58 68
Betriebsdruck (**)	bar	5,0 – 7,0	5,0 – 7,0
Leistung der Absauganlage bei 5 kPa	Lit.min <sup>-1</sup>	800	800
Max. Vakuum-Ansaugeneinheit	kPa	12	12
Max. Strom	A	6,9 7,9	7,1 8
Aggregatleistung Kompressor	kW	0,55	0,55
Volumen Drucklufttank	Lit.	25	25
Luftqualität – Filterung	µm	-	0,3
Max. Betriebsdruck des Sicherheitsventils	bar	8,0	8,0
Geräuschpegel bei 5 bar	LpfA [dB]	≤47 ≤50	≤47 ≤50
Betriebsmodus		S1-100%	S1-100%
PDP - Trocknungsleistung bei 7 bar		-	≤ +3°C
Zeit, den Druckluftspeicher von 0 bis 6 bar zu füllen	s	123 105	157 128
Abmessungen (netto) L x B x H	mm	560x684x1251	560x684x1251
Nettogewicht (***)	kg	114	119
Klassifizierung unter EN 60601-1		Klasse I.	

Hinweise:

- (\*) Bei Bestellung das Modell des Kompressors angeben
- (\*\*) Für andere Druckbereiche: Kontaktieren Sie den Lieferanten
- (\*\*\*) Die Angabe über das Gewicht ist nur zur Information und bezieht sich ausschließlich auf das Produkt ohne jegliches Zubehör



## DUO, DUO 2V, DUO 2

Tab. 2

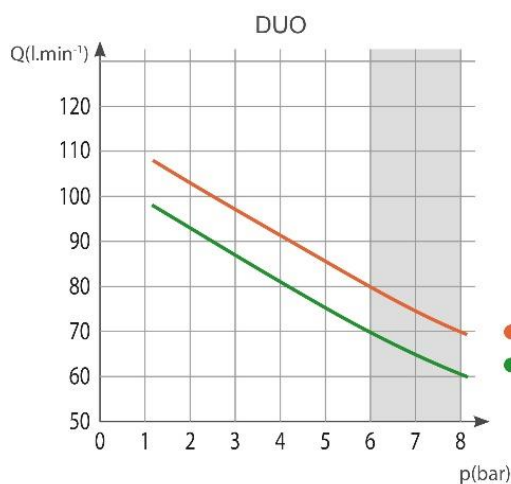
		DUO	DUO/M
Kompressor 6 – 8 bar		DK50 PLUS	DK50 PLUS/M
Absauganlage		1	1
Nennspannung / Frequenz (*)	V / Hz	230 / 50 230 / 60	230 / 50 230 / 60
Kapazität bei 6 bar	Lit.min <sup>-1</sup>	70 80	60 70
Arbeitsdruck (**)	bar	6,0 – 8,0	6,0 – 8,0
Leistung der Absauganlage bei 5 kPa	Lit.min <sup>-1</sup>	800	800
Max. Vakuum-Ansaugeneinheit	kPa	12	12
Max. Strom	A	7 8	7,2 8,1
Aggregatleistung Kompressor	kW	0,55	0,55
Volumen Drucklufttank	Lit.	25	25
Luftqualität – Filterung	µm	-	0,3
Max. Betriebsdruck des Sicherheitsventils	bar	11,0	11,0
Geräuschpegel bei 5 bar	LpfA [dB]	≤47 ≤50	≤47 ≤50
Betriebsmodus		S1-100%	S1-100%
PDP-Trocknungsleistung bei 7 bar		-	≤ +3°C
Zeit, den Druckluftspeicher von 0 bis 7 bar zu füllen	s	149 126	198 159
Abmessungen (netto) L x B x H	mm	560x684x1251	560x684x1251
Nettogewicht (***)	kg	114	119
Klassifizierung unter EN 60601-1		Klasse I.	

Hinweise:

(\*) Bei Bestellung das Modell des Kompressors angeben

(\*\*) Für andere Druckbereiche: Lieferant konsultieren

(\*\*\*) Die Angabe über das Gewicht ist nur zur Information und bezieht sich ausschließlich auf das Produkt ohne jegliches Zubehör

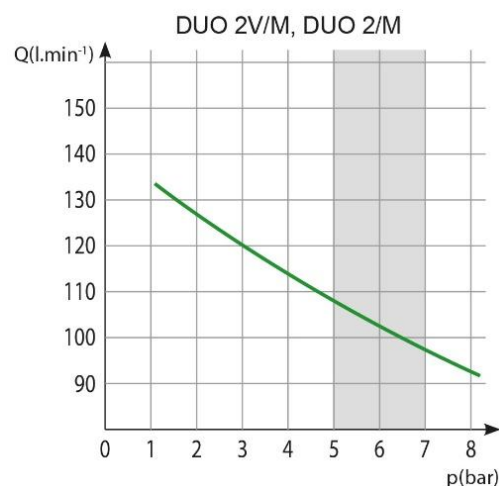


Tab.3

		<b>DUO 2V</b>	<b>DUO 2V/M</b>	<b>DUO 2</b>	<b>DUO 2/M</b>
Kompressor 5 – 7 bar		DK50 2V	DK50 2V/M	DK50 2V	DK50 2V/M
Absauganlage		1	1	2	2
Nennspannung / Frequenz (*)	V / Hz	230 / 50 230 / 60	230 / 50 230 / 60	230 / 50 230 / 60	230 / 50 230 / 60
Kapazität bei 5 bar	Lit.min <sup>-1</sup>	140	108	140	108
Betriebsdruck (**)	bar	5,0 – 7,0	5,0 – 7,0	5,0 – 7,0	5,0 – 7,0
Leistung der Absauganlage bei 5 kPa	Lit.min <sup>-1</sup>	800	800	2x800	2x800
Max. Vakuum-Ansaugeneinheit	kPa	12	12	12	12
Max. Strom	A	11,5 12,5	11,7 12,7	14,5 15,4	14,6 15,6
Aggregatleistung Kompressor	kW	1,2	1,2	1,2	1,2
Volumen Drucklufttank	Lit.	25	25	25	25
Luftqualität – Filterung	µm	-	0,3	-	0,3
Max. Betriebsdruck des Sicherheitsventils	bar	8,0	8,0	8,0	8,0
Geräuschpegel bei 5 bar	LpfA [dB]	≤ 51,5	≤ 55,0	≤ 51,5	≤ 55,0
Betriebsmodus		S1-100%	S1-100%	S1-100%	S1-100%
PDP - Trocknungsleistung bei 7 bar		-	≤ +3°C	-	≤ +3°C
Zeit, den Druckluftspeicher von 0 bis 6 bar zu füllen	s	52	65	52	65
Abmessungen (netto) L x B x H	mm	560x684x1251	560x684x1251	560x684x1251	560x684x1251
Nettogewicht (***)	kg	121	126	133	138
Klassifizierung unter EN 60601-1		Klasse I.			

**Hinweise:**

- (\*) Bei Bestellung das Modell des Kompressors angeben
- (\*\*) Für andere Druckbereiche: Kontaktieren Sie den Lieferanten
- (\*\*\*) Die Angabe über das Gewicht ist nur zur Information und bezieht sich ausschließlich auf das Produkt ohne jegliches Zubehör



## DUO, DUO 2V, DUO 2

Tab. 4

		DUO 2V	DUO 2V/M	DUO 2	DUO 2
Kompressor 6 – 8 bar		DK50 2V	DK50 2V/M	DK50 2V	DK50 2V/M
Absauganlage		1	1	2	2
Nennspannung / Frequenz (*)	V / Hz	230 / 50 230 / 60	230 / 50 230 / 60	230 / 50 230 / 60	230 / 50 230 / 60
Kapazität bei 6 bar	Lit.min <sup>-1</sup>	135	104	135	104
Arbeitsdruck (**)	bar	6,0 – 8,0	6,0 – 8,0	6,0 – 8,0	6,0 – 8,0
Leistung der Absauganlage bei 5 kPa	Lit.min <sup>-1</sup>	800	800	2x800	2x800
Max. Vakuum-Ansaugeneinheit	kPa	12	12	12	12
Max. Strom	A	11,8 12,5	12,0 12,7	14,8 15,4	15,0 15,6
Aggregatleistung Kompressor	kW	1,2	1,2	1,2	1,2
Volumen Drucklufttank	Lit.	25	25	25	25
Luftqualität – Filterung	µm	-	0,3	-	0,3
Max. Betriebsdruck des Sicherheitsventils	bar	11,0	11,0	11,0	11,0
Geräuschpegel bei 5 bar	LpfA [dB]	≤ 51,5	≤ 55,0	≤ 51,5	≤ 55,0
Betriebsmodus		S1-100%	S1-100%	S1-100%	S1-100%
PDP-Trocknungsleistung bei 7bar		-	≤ +3°C	-	≤ +3°C
Zeit, den Druckluftspeicher von 0 bis 7 bar zu füllen	s	61	78	61	78
Abmessungen (netto) L x B x H	mm	560x684x1251	560x684x1251	560x684x1251	560x684x1251
Nettogewicht (***)	kg	121 (***)	126	133(***)	138
Klassifizierung unter EN 60601-1		Klasse I.			

## Hinweise:

(\*) Bei Bestellung das Modell des Kompressors angeben

(\*\*) Für andere Druckbereiche: Lieferant konsultieren

(\*\*\*) Die Angabe über das Gewicht ist nur zur Information und bezieht sich ausschließlich auf das Produkt ohne jegliches Zubehör



### 7.1. Korrektur des Luftfördervolumens (FAD) unter Berücksichtigung der Höhe über dem Meeresspiegel

FAD-Korrekturtabelle

Höhe über dem Meeresspiegel in Metern [m ü. NHN]	0 – 1500	1501 – 2500	2501 – 3500	3501 – 4500
FAD [l/min]	FAD x 1	FAD x 0,8	FAD x 0,71	FAD x 0,60

Bedingungen für FAD (Free Air Delivery)-Ausgabe:

Höhendaten: 0 m ü. NHN

Temperatur: 20 °C

Umgebungsdruck: 101325 Pa

Relative Feuchtigkeit: 0 %

### 7.2. Konformitätserklärung für elektromagnetische verträglichkeit

Medizinische Geräte erfordern spezielle Vorsichtsmaßnahmen in Bezug auf elektromagnetische Verträglichkeit (EMV) und müssen entsprechend den nachfolgenden EMV-Angaben installiert und verwendet werden.


Anleitung und Herstellererklärung – elektromagnetische Emissionen		
Gemäß IEC 60601-1-2:2014 - Medizinische elektrische Geräte - Teil 1-2: Allgemeine Festlegungen für die Sicherheit einschließlich der wesentlichen Leistungsmerkmale – Ergänzungsnorm: Elektromagnetische Störgrößen - Anforderungen und Prüfungen		
Das Gerät ist für die Verwendung in der nachfolgend beschriebenen elektromagnetischen Umgebung bestimmt: Der Kunde oder Benutzer des Geräts sollte sicherstellen, dass sie in einer derartigen Umgebung zum Einsatz kommt.		
Emissionsprüfung	Compliance	Elektromagnetische Umgebung – Anleitung
HF-Emissionen CISPR 11	Gruppe 1	Das Gerät verwendet HF-Energie nur für seine internen Funktionen. Deshalb sind die HF-Emissionen sehr niedrig, und es ist unwahrscheinlich, dass sie Störungen mit elektronischen Geräten in der Nähe verursachen.
HF-Emissionen CISPR 11	Klasse B	Das Gerät ist zur Verwendung in allen Einrichtungen geeignet, einschließlich in häuslichen Einrichtungen und solchen, die direkt an das öffentliche Niederspannungsversorgungsnetzwerk angeschlossen sind, das Gebäude für Wohnzwecke versorgt.
Oberwellenemissionen IEC 61000-3-2	Klasse A	
Spannungsschwankungen/Flicker IEC 61000-3-3	Es ist unwahrscheinlich, dass das Gerät Flackern verursacht, da der Stromfluss nach dem Einschalten ziemlich konstant ist.	

<b>Anleitung und Herstellererklärung – elektromagnetische Immunität</b>			
Gemäß IEC 60601-1-2:2014 - Medizinische elektrische Geräte - Teil 1-2: Allgemeine Festlegungen für die Sicherheit einschließlich der wesentlichen Leistungsmerkmale – Ergänzungsnorm: Elektromagnetische Störgrößen - Anforderungen und Prüfungen			
Das Gerät ist für die Verwendung in der nachfolgend beschriebenen elektromagnetischen Umgebung bestimmt: Der Kunde oder Benutzer des Geräts sollte sicherstellen, dass sie in einer derartigen Umgebung zum Einsatz kommt.			
<b>Immunitätsprüfung</b>	<b>IEC 60601-1-2 Teststufe</b>	<b>Compliance-Stufe</b>	<b>Elektromagnetische Umgebung – Anleitung</b>
Elektrostatistische Entladung (ESD) IEC 61000-4-2	±8 kV Kontakt ±15 kV Luft	±8 kV Kontakt ±15 kV Luft	Böden sollten aus Holz, Beton oder Keramikfliesen sein. Wenn Böden mit synthetischen Materialien ausgelegt sind, sollte die relative Feuchtigkeit mindestens 30 % betragen.
Elektrische Störgrößen/Burst IEC 61000-4-4	±2 kV für Netzstromleitungen ±1 kV für Eingangs-/Ausgangsleitungen	±2 kV 100 kHz Wiederholfrequenz Angewandt für Netzanschluss	Die Netzstromqualität sollte die einer typischen Gewerbe- oder Krankenhausumgebung sein.
Überspannung IEC 61000-4-5	±1 kV Differenzmodus ±2 kV Gleichtakt	±1 kV L-N ±2 kV L-PE; N-PE Angewandt für Netzanschluss	Die Netzstromqualität sollte die einer typischen Gewerbe- oder Krankenhausumgebung sein.
Spannungseinbrüche, kurze Unterbrechung und Spannungsabweichungen bei Netzstrom-Eingangsleitungen IEC 60601-4-11	$U_T = 0 \%$ , 0,5 Zyklus (bei 0, 45, 90, 135, 180, 225, 270 und 315°)  $U_T = 0 \%$ , 1 Zyklus  $U_T = 70 \%$ 25/30 Zyklen (bei 0°)  $U_T = 0 \%$ 250/300 Zyklen	$U_T = > 95 \%$ , 0,5 Zyklus (bei 0, 45, 90, 135, 180, 225, 270 und 315°)  $U_T = > 95 \%$ , 1 Zyklus  $U_T = 70 \%$ (30 % Einbruch $U_T$ ), 25(50Hz)/30(60Hz) Zyklen (bei 0°)  $U_T = > 95 \%$ , 250(50Hz)/300(60Hz) Zyklus	Die Netzstromqualität sollte die einer typischen Gewerbe- oder Krankenhausumgebung sein. Das Gerät stoppt und startet automatisch bei jedem Einbruch. In diesem Fall tritt kein nicht akzeptabler Druckabfall auf.
Netzfrequenz (50/60 Hz) IEC 61000-4-8	30 A/m	30 A/m	Magnetfelder der Netzfrequenz sollten den typischen Werten eines typischen Standorts in einer typischen Gewerbe- oder Krankenhausumgebung entsprechen.
HINWEIS: $U_T$ ist die Wechselstromspannung vor der Anwendung der Teststufe.			

**Anleitung und Herstellererklärung – elektromagnetische Immunität**

Gemäß IEC 60601-1-2:2014 - Medizinische elektrische Geräte - Teil 1-2: Allgemeine Festlegungen für die Sicherheit einschließlich der wesentlichen Leistungsmerkmale – Ergänzungsnorm: Elektromagnetische Störgrößen - Anforderungen und Prüfungen

Das Gerät ist für die Verwendung in der nachfolgend beschriebenen elektromagnetischen Umgebung bestimmt: Der Kunde oder Benutzer des Geräts sollte sicherstellen, dass sie in einer derartigen Umgebung zum Einsatz kommt.

Immunitätsprüfung	IEC 60601-1-2 Teststufe	Compliance-Stufe	Elektromagnetische Umgebung – Anleitung
Geleitete HF IEC 61000-4-6	3 Vrms 150 kHz bis 80MHz	3 Vrms	Tragbare und mobile HF-Kommunikationsgeräte sollten nicht näher an einem Teil des Geräts, einschließlich Kabeln, sein, als der empfohlene Trennabstand, der aus der jeweiligen Gleichung für die Frequenz des Senders berechnet wird.  <b>Empfohlener Trennabstand</b>  $d=1,2\sqrt{P}$  $d=1,2\sqrt{P}$ , 80 MHz bis 800 MHz  $d=2,3\sqrt{P}$ , 800 MHz bis 2,7 GHz
Gestrahlte HF IEC 61000-4-3	3 V/m 80 MHz bis 2,7 GHz	3 V/m	wobei P die maximale Ausgangsnennleistung des Senders in Watt (W) gemäß Hersteller des Senders ist und d den empfohlenen Trennabstand in Metern (m) bezeichnet.
Abstand von HF-Drahtloskommunikationsgeräten IEC 61000-4-3	9 bis 28 V/m 15 spezifische Frequenzen (380 bis 5800 MHz)	9 bis 28 V/m 15 spezifische Frequenzen (380 bis 5800 MHz)	Feldstärken aus feststehenden HF-Sendern, wie durch eine elektromagnetische Standortuntersuchung <sup>a</sup> festgelegt, sollten weniger als die Compliance-Stufe in jedem Frequenzbereich <sup>b</sup> betragen. Interferenz kann in der Nähe von Geräten auftreten, die mit dem folgenden Symbol gekennzeichnet sind:  

HINWEIS 1 Bei 80 MHz und 800 MHz gilt der jeweils höhere Frequenzbereich.  
 HINWEIS 2 Diese Richtlinien gelten möglicherweise nicht in allen Situationen. Elektromagnetische Ausbreitung wird durch die Absorption und Reflektion von Strukturen, Objekten und Personen beeinflusst.

<sup>a</sup> Feldstärken von feststehenden Sendern, z. B. Basisstationen für Funktelefone (mobil/kabellos) und mobiler Landfunk, Amateurfunk, AM- und FM-Radioubertragung und TV-Übertragung können theoretisch nicht mit Genauigkeit prognostiziert werden. Für die Bewertung eines elektromagnetischen Umfeldes aufgrund von feststehenden HF-Sendern sollte eine elektromagnetische Standortüberprüfung in Betracht gezogen werden. Wenn die gemessene Feldstärke an dem Standort, an dem das Gerät verwendet wird, die oben genannte geltende HF-Compliance-Stufe übersteigt, sollte das Gerät beobachtet werden, um den Normalbetrieb zu überprüfen. Wenn ein abnormes Verhalten festgestellt wird, sind möglicherweise zusätzliche Maßnahmen erforderlich, z. B. Neuausrichtung oder Standortwechsel des Geräts.

<sup>b</sup> Über den Frequenzbereich von 150 kHz bis 80 MHz sollten die Feldstärken weniger als 3 V/m betragen.



## DUO, DUO 2V, DUO 2

### 8. PRODUKTBESCHREIBUNG

#### 8.1. Varianten

Die Kompressorenmodelle gibt es in den folgenden Versionen:

<b>DUO</b>	Dieses Modell wird für Dental-Set-Modelle verwendet, die mit einem Absaugblock ausgestattet sind und für den Direkteinbau am Arbeitsplatz entwickelt wurden
<b>DUO 2</b>	Modelle für Verwendung mit Dentalsystemen, die mit einem Ansaugblock ausgestattet sind. Sie sind für die Versorgung von zwei solchen Dentalsystemen geeignet, d. h. zwei Arbeitsstationen
<b>DUO 2V</b>	Modelle für Verwendung mit Dentalsystemen, die mit einem Ansaugblock ausgestattet sind. Sie sind für die Versorgung von Systemen ausgelegt, die höhere Druckluftmengen verbrauchen
<b>DUO/M</b>	Identisch mit DUO-Modell, jedoch mit Membrantrockner ausgestattet
<b>DUO 2V/M</b>	Identisch mit DUO-2V-Modell, jedoch mit Membrantrockner ausgestattet
<b>DUO 2/M</b>	Identisch mit DUO-2-Modell, jedoch mit Membrantrockner ausgestattet



**DUO**



**DUO 2V**



**DUO 2**

#### 8.2. Zubehör

Zubehör, das nicht Teil der standardmäßigen Bestellung ist, muss separat bestellt werden.

##### 8.2.1. Automatischer Kondensatablauf

Der automatische Kondensatablauf (Automatic Condensate Drain; AOK) lässt das Kondensat automatisch und gemäß einem vorgegebenen Zeitintervall aus dem Kompressor-Luftbehälter ab. Der Kondensatablauf (AOK) ist ein geeignetes Zubehörteil für Kompressormodelle ohne Trockner.

Typ	Verwendung	Artikelnr. Satz
AOK 11	DK50 PLUS DK50 2V	447000001-047

### 8.2.2. Druckreglersatz

Bei entsprechender Spezifikation kann der Kompressor mit einem Druckregler am Druckluftausgang ausgestattet werden. Der Regler dient dazu, einen konstanten Druck am Ausgang sicherzustellen. Reglersätze sind geeignete Zubehörteile für alle oben aufgeführten Kompressoren.

Typ	Verwendung	Artikelnr. Satz
REG11	DK50 PLUS, DK50 PLUS/M DK50 2V, DK50 2V/M	447000001-077

### 8.2.3. Filterset

Bei entsprechendem Hinweis können Kompressoren mit einem Filterset am Druckluftausgang ausgestattet werden. Der Filtersatz kann mit einem Druckregler ausgestattet werden. Die Filtersätze sind ein geeignetes Zubehör für alle oben aufgeführten Kompressoren.

HINWEIS: Ist ein höherer Grad an Luftfilterung nötig, muss dies vorab mit dem Lieferanten vereinbart und in der Bestellung klar angegeben werden.

Typ	Verwendung	Grad der Luftfilterung / $\mu\text{m}$ /	Druckregler	Artikelnr. Satz
FS 30FR	DK50 PLUS DK50 2V	5	Ja	447000001-079
FS 30M		5 + 0,3	Nein	447000001-080
FS 30MR		5 + 0,3	Ja	447000001-081
FS 30S		5 + 0,3 + 0,01	Nein	447000001-082
FS 30SR		5 + 0,3 + 0,01	Ja	447000001-083
FS 31S	DK50 PLUS/M DK50 2V/M	0,3 + 0,01	Nein	447000001-086
FS 31SR		0,3 + 0,01	Ja	447000001-087
FS 31SR2		0,01	Ja	447000001-130

### 8.2.4. Kondensat- und Filtereinheit

Der Kompressor kann zusätzlich mit einer Kondensat- und Filtereinheit (KJF-1, KJF-2 oder KJFR-1) ausgestattet werden. Die KJF-1-, KJF-2- oder KJFR-1-Einheit sorgt dafür, dass die Druckluft aus dem Druckluftbehälter im Kühler gekühlt und das Kondensat im Filter erfasst und automatisch aus dem pneumatischen Verteilersystem abgeschieden wird. Die Druckluft wird gleichzeitig gefiltert.

Typ	Verwendung	Grad der Luftfilterung / $\mu\text{m}$ /	Druckregler	Artikelnr. Satz
KJF-1	DK50 PLUS	5	Nein	450001011-001
KJFR-1			Ja	450001011-002
KJF-2	DK50 2V		Nein	450001021-001

### 8.2.5. Schalldämpfer

Der Schalldämpfer mit und ohne Filter dämpft das „pfeifende“ Geräusch, das durch das Gebläsead der Absaugpumpe verursacht wird. Die gesamte Geräuschreduzierung während des Betriebs des Absaugsystems beträgt bis zu 4 dB.

- Schalldämpfer mit Filter – ein Bakterienfilter macht den Einbau direkt am Arbeitsplatz möglich.
- Wandmontierter Schalldämpfer – speziell für die Wandmontage entwickelt.

- Wandmontierter Schalldämpfer mit Filter – speziell für die Wandmontage entwickelt und mit einem Bakterienfilter ausgestattet.

Typ	Variante	Verwendung	Artikelnr. Satz
DS2	Wandmontage, ohne Bakterienfilter	DUO, DUO 2V, DUO2	451000Z01-004
DS2	Wandmontage, mit Bakterienfilter		451000Z01-005
DS4	mit Bakterienfilter	DUO,DUO 2V	451000Z01-006
DS5	mit Bakterienfilter	DUO2	451000Z01-007
DS6	ohne Bakterienfilter	DUO,DUO 2V	451000Z01-008
DS7	ohne Bakterienfilter	DUO2	451000Z01-009

### 8.2.6. Potenzialausgleichsbuchse

Die Buchse ermöglicht einen Potenzialausgleich. (Abb. 10)

Typ	Verwendung	Name	Artikelnr.
POAG-KBT6-EC	DUO, DUO 2V, DUO2	Netzstecker	033400075-000
FLEXI-S/POAG-HK6		Zuleitung (1 m)	034110083-000

## 9. PRODUKTFUNKTION

### Kompressoren mit Absauganlage(Abb. 1)

Der Kompressor (1) saugt Außenluft durch einen Ansaugfilter (8) an und drückt sie durch ein Rückschlagventil (3) in einen Luftbehälter (2), aus dem das Gerät Druckluft bezieht. Fällt der Druck im Luftbehälter auf den Einschaltdruck ab, schaltet der Druckschalter (4) den Kompressor ein und der Kompressor leitet Druckluft in den Luftbehälter, bis der Ausschaltdruck erreicht wird. Daraufhin schaltet der Kompressor ab. Der Druckschlauch wird durch das Ablassmagnetventil (13) entlüftet, sobald das Kompressoraggregat abgeschaltet ist. Das Sicherheitsventil (5) verhindert, dass der Druck im Luftbehälter über den maximal zulässigen Wert hinaus ansteigt. Das Kondenswasser wird durch das Ablassventil (7) aus dem Luftbehälter abgelassen. Ölfreie Druckluft steht im Druckluftbehälter zur weiteren Nutzung bereit. Das Kondensat muss in regelmäßigen Intervallen aus dem Druckluftbehälter abgelassen werden (siehe Kapitel 19.1).

Das Absaugaggregat (36) (bei DUO2 zwei Aggregate) gibt Luft ab und erzeugt so ein Vakuum in den Absaugleitungen, die mit dem Gerät verbunden sind. Die Absauganlage ist auch eine Vakuumquelle, um fremde Substanzen aus dem Arbeitsbereich des Arztes zu entfernen. Diese Luft wird anschließend durch eine Abluftleitung aus dem Arbeitsbereich des Bedieners abgeleitet.

### Kompressoren mit Absauganlage mit Membrantrockner(Abb. 2)

Das Kompressoraggregat (1) zieht Außenluft durch einen Ansaugfilter (8) ein und komprimiert sie. Dann wird die Luft zum Kühler (14) durch den Filter (15) und das Rückschlagventil (3) zum Trockner (9) gespeist, anschließend wird die trockene und saubere Luft in den Luftbehälter (2) eingespeist. Ein Teil der Luft wird mit der aufgenommenen Feuchtigkeit aus dem Trockner entlassen und macht sich als leichter Luftstrom entlang des Trocknergehäuses (9) bemerkbar. Das Kondensat aus dem Filter wird automatisch in regelmäßigen Intervallen über das Kondensatablassmagnetventil (16) in den Behälter abgeleitet. Der Trockner sorgt dafür, dass die Druckluft ständig getrocknet wird. Das Kondenswasser wird durch das Ablassventil (7) aus dem

Luftbehälter abgelassen, wenn die Trocknerleistung überprüft wird. Ölfreie gefilterte Druckluft steht im Druckluftbehälter zur weiteren Nutzung bereit.

Damit der Membrantrockner wie vorgesehen funktioniert, wird der Trockner direkt an den Luftbehälter ohne zwischengeschaltetes Rückschlagventil angeschlossen. Da der Membrantrockner selektive Membranfasern enthält, erfolgt hierüber eine geringfügige Luftentweichung (rund 0,5 bar/30 min.).

Das ist der Grund für einen nach und nach erfolgenden, langsamen Druckabfall, auch wenn kein Druckluftbedarf (aus dem Luftbehälter) besteht. Dabei handelt es sich jedoch nicht um eine Fehlfunktion.

Der Druckbehälter muss nicht abgelassen werden.

Das Absaugaggregat (36) (bei DUO2 zwei Aggregate) gibt Luft ab und erzeugt so ein Vakuum in den Absaugleitungen, die mit dem Gerät verbunden sind. Die Absauganlage ist auch eine Vakuumquelle, um fremde Substanzen aus dem Arbeitsbereich des Arztes zu entfernen. Diese Luft wird anschließend durch eine Abluftleitung aus dem Arbeitsbereich des Bedieners abgeleitet.

### **Kompressorgehäuse (Abb. 3)**

Der schalldichte Schrank dient zur kompakten Abdeckung des Kompressors. Gleichzeitig gewährt er einen ausreichenden Luftaustausch. Wegen seinem Design kann er in einer Zahnarztpraxis als Teil der Möblierung aufgestellt werden. Der Ventilator unter dem Kompressoraggregat kühlt den Kompressor und läuft gleichzeitig mit dem Kompressormotor. Nach längerem Betrieb des Kompressors kann die Temperatur im Schrank über 40 °C steigen; in diesem Fall schaltet sich der Kühllüfter automatisch ein. Sinkt die Temperatur im Schrank unter 32 °C, schaltet sich der Kühllüfter automatisch aus. Die Tür des Gehäuses mit Öffnung nach rechts kann auf eine Öffnung nach links gewechselt werden (siehe Kapitel 12.2).

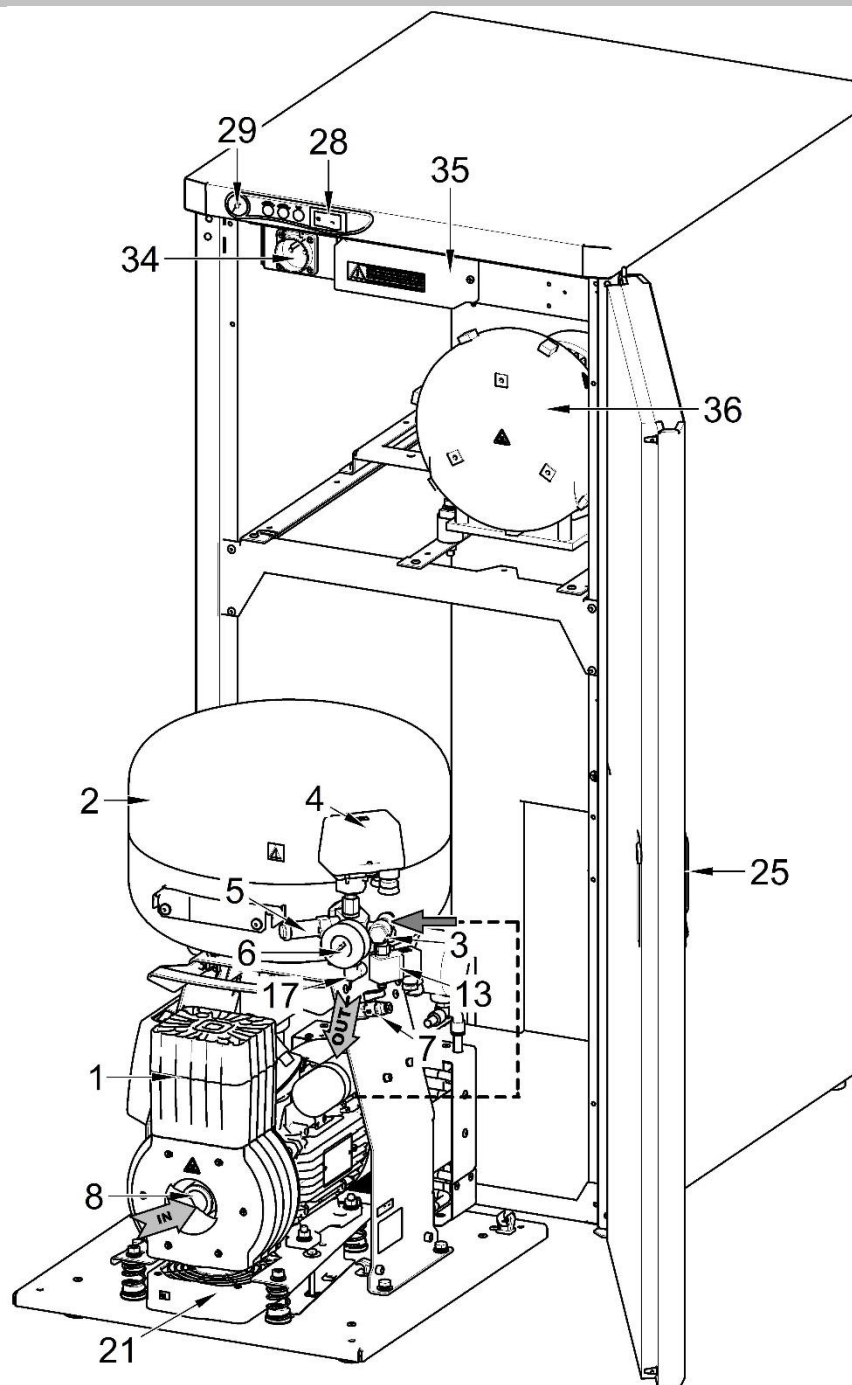


**Stellen Sie sicher, dass der Luftstrom unter und rund um den Kompressor nicht beeinträchtigt wird. Bedecken Sie niemals den Warmluftausgang an der oberen Rückseite des Gehäuses.**



**Wird der Kompressor auf eine weiche Unterlage (z.B. auf einen Teppich) gestellt, muss durch harte Unterlagen ein ausreichender Abstand zwischen dem Unterboden und dem Boden oder dem Schrank und dem Boden gewährleistet werden, um eine entsprechende Kühlleistung zu garantieren.**

Abb.1 - DUO - Kompressoren mit Absauganlage

Beschreibung für  
Abbildungen 1–3

1. Kompressoraggregat
2. Luftbehälter
3. Rückschlagventil
4. Druckschalter
5. Sicherheitsventil
6. Manometer
7. Ablassventil
8. Ansaugfilter
9. Trockner
10. -
11. -
12. -
13. Magnetventil
14. Trocknerkühler
15. Filter
16. Kondensatablassmagnetventil
17. Druckluftausgang
18. Trennschalter
19. Flasche
20. Magnetische Halterung
21. Lüfter
22. Gehäuselüfter
23. Türbolzen
24. Gleichrichterschraube
25. Sperre
26. Halterung
27. Wandanschlag
28. Schalter
29. Manometer
30. Türangel
31. Griff
32. Laufrollen
33. Manometer-Schlauch
34. Buchse
35. Schaltblock der Absauganlage
36. Absauganlage

Abb. 2 – DK50 2V/M Kompressor mit Trockner

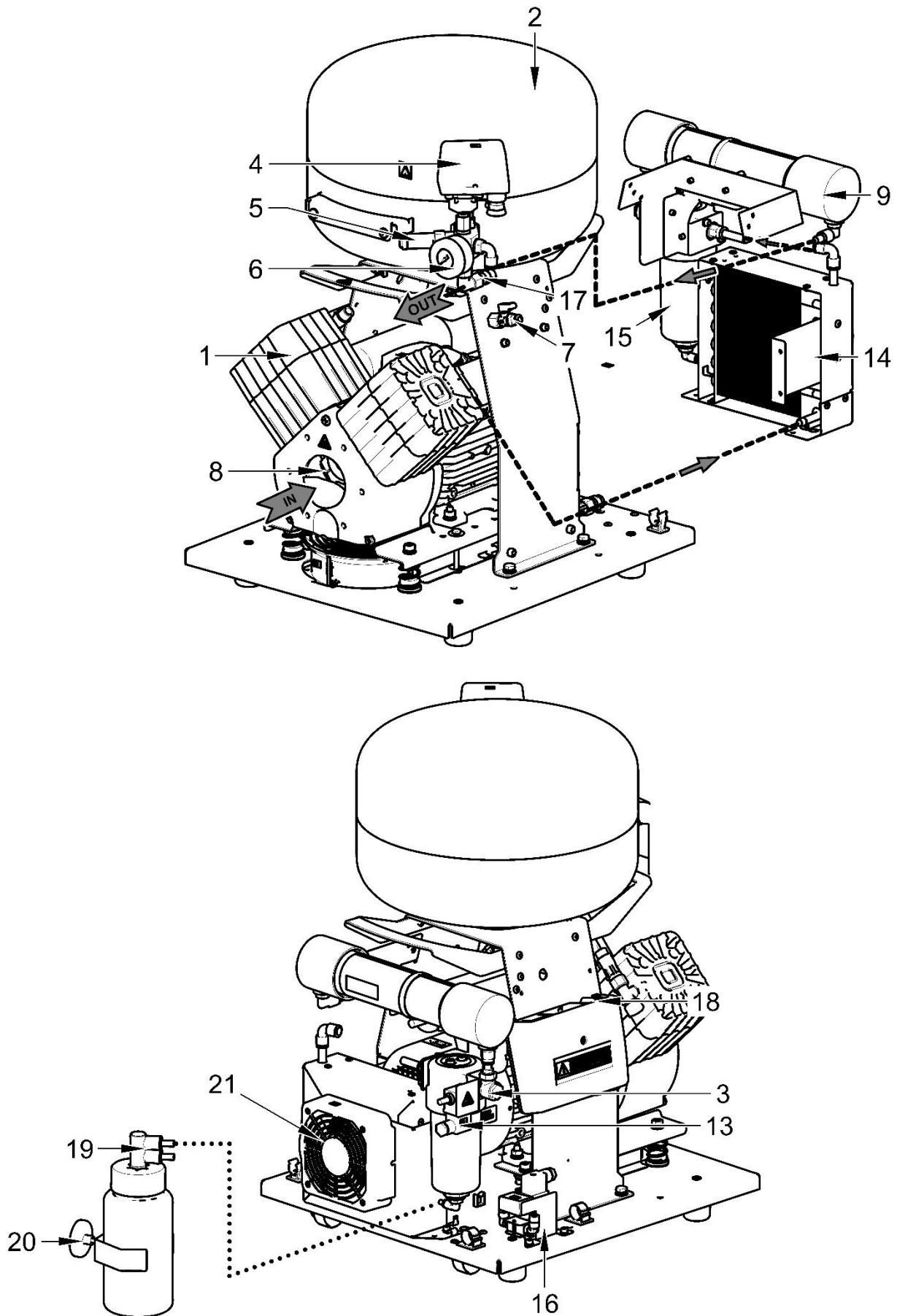
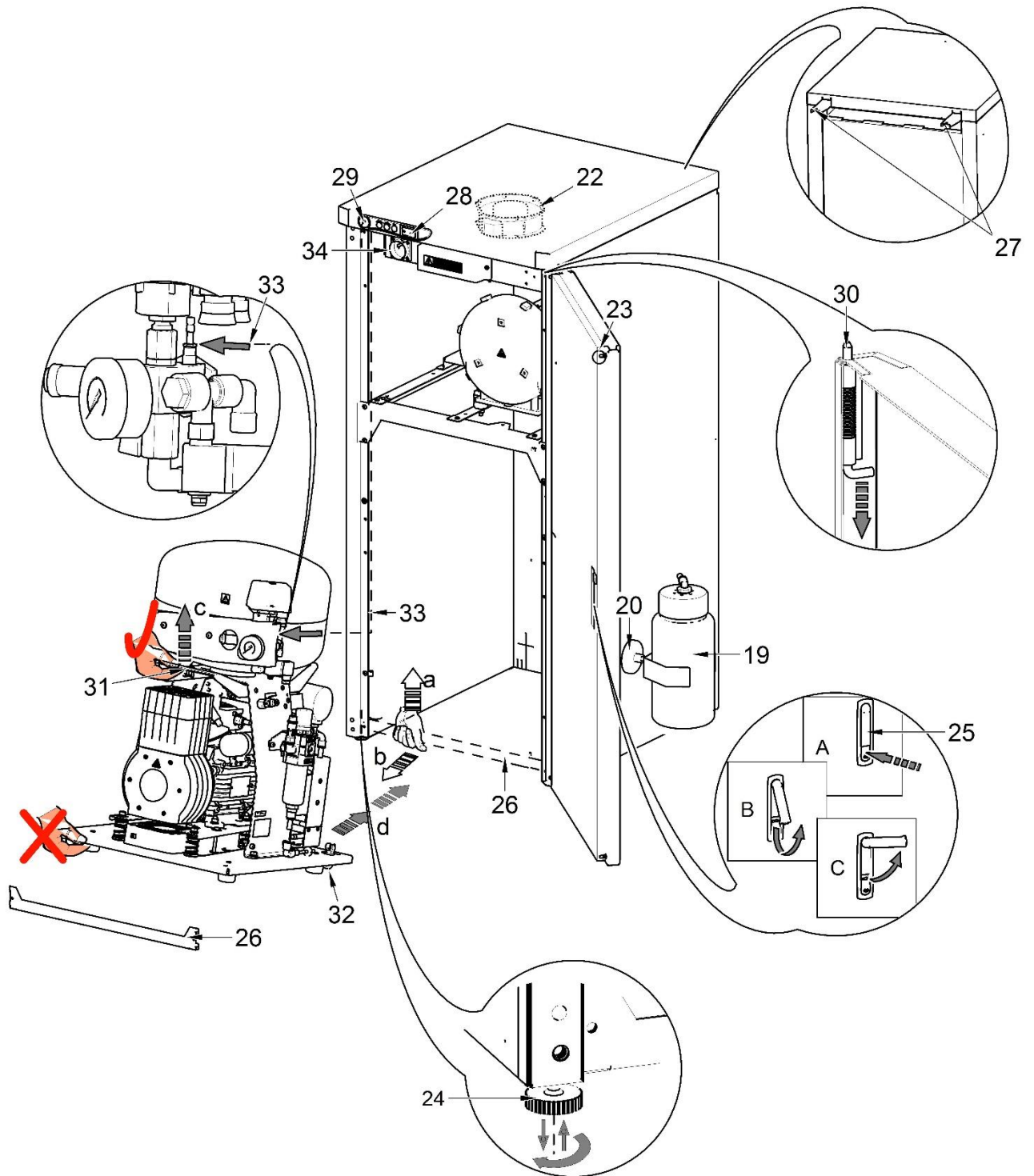
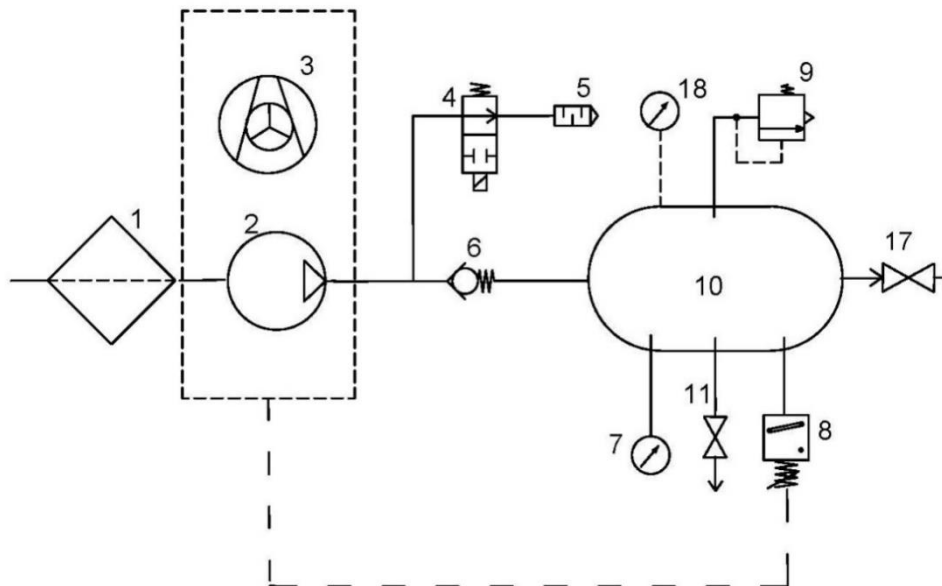


Abb.3 – Gehäuse DUO

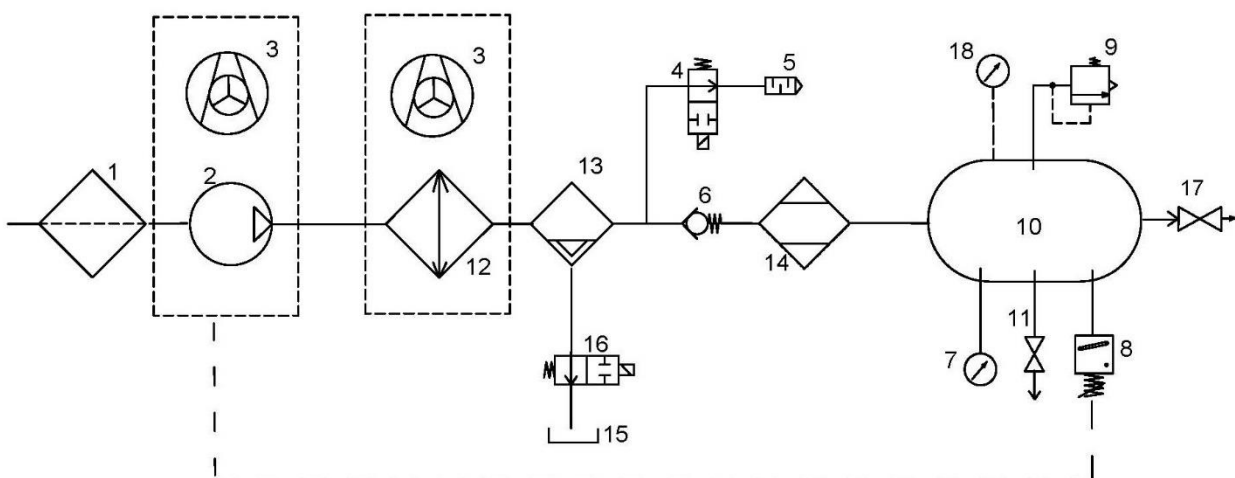


## 10. DRUCKLUFTPLAN

## DK50 PLUS, DK50 2V



## DK50 PLUS/M, DK50 2V/M



## Legende für Druckluftplan

- |                      |                                 |
|----------------------|---------------------------------|
| 1. Ansaugfilter      | 10. Luftbehälter                |
| 2. Kompressor        | 11. Ablassventil                |
| 3. Lüfter            | 12. Kühler                      |
| 4. Ablassventil      | 13. Koaleszenzfilter            |
| 5. Schalldämpfer     | 14. Membrantrockner             |
| 6. Rückschlagventil  | 15. Kondensatauffangbehälter    |
| 7. Manometer         | 16. Kondensatablassmagnetventil |
| 8. Druckschalter     | 17. Ausgangsventil              |
| 9. Sicherheitsventil | 18. Schrank-Druckmesser         |



## INSTALLATION

### 11. EINSATZBEDINGUNGEN

- Das Gerät darf nur in trockenen, gut belüfteten und sauberen Umgebungen mit Umweltparametern verwendet werden, die die in Kapitel 7, Technische Daten, definierten Anforderungen erfüllen. Der Kompressor muss so installiert werden, dass er für die Bedienung und Wartung kontinuierlich zugänglich ist. Stellen Sie sicher, dass das Typenschild auf dem Gerät einfach lesbar ist.
- Das Gerät muss auf einer ebenen und ausreichend stabilen Fläche stehen (bezogen auf das Gewicht des Kompressors ist Vorsicht geboten, siehe Kapitel 7, Technische Daten).
- Das Gerät darf nicht im Freien oder in sonstigen nassen oder feuchten Umgebungen verwendet werden. Verwenden Sie den Kompressor nicht in der Nähe von explosiven Gasen, Staub oder brennbaren Flüssigkeiten.
- Vor Einbau des Kompressors in ein medizinisches Gerät muss der Lieferant bestätigen, dass alle Bedingungen für die Nutzung erfüllt sind. Beachten Sie die technischen Daten des Produkts. Der Hersteller bzw. Lieferant des Geräts muss bei der Aufstellung des Geräts eine Klassifizierung und Bewertung zur Kompatibilität vornehmen.
- Jede über diesen Nutzungsrahmen hinausgehende Verwendung wird als unsachgemäße Nutzung betrachtet. Der Hersteller ist nicht verantwortlich für Schäden, die aus einer solchen unsachgemäßen Nutzung entstehen. Der Bediener/Nutzer übernimmt alle Risiken.



**Der Kompressor darf ausschließlich durch eine hierfür qualifizierte Fachkraft installiert und in Betrieb genommen werden. Diese Fachkraft ist verpflichtet, professionelles Bedienpersonal bzgl. der Nutzung und Wartung des Geräts zu schulen. Der Installateur bestätigt die Installation und Schulung aller Mitarbeiter durch seine Unterschrift im Installationszertifikat.**



**Stellen Sie vor der Installation sicher, dass der Kompressor frei von Verpackungsmaterial und Stabilisatoren ist, um Schäden am Produkt zu vermeiden.**



**Teile des Aggregats werden möglicherweise heiß und können während des Kompressorbetriebs hohe Temperaturen erreichen und hierdurch ein Risiko für Bediener und Materialien darstellen. Verbrennungs- oder Brandgefahr! Vorsicht! Heiße Oberfläche!**

### Umgebungsbetriebsbedingungen

Temperatur: +5 °C bis +40 °C,  
Max. relative Feuchtigkeit: 70 %  
Max. absolute Feuchtigkeit: 15 g/m<sup>3</sup>.

## 12. AUFSTELLEN DES KOMPRESSORS



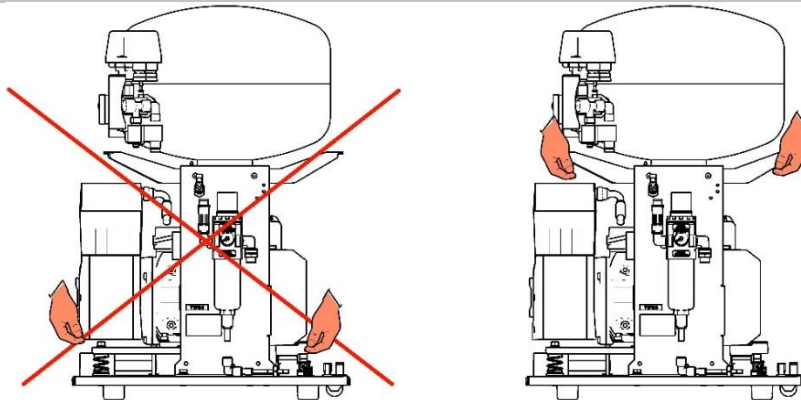
Das Gerät darf nur von einem qualifizierten Fachmann installiert werden.

- Nehmen Sie den Kompressor aus seiner Verpackung.

### 12.1. Handhabung und Freigabe des Kompressors

- Stellen Sie den Kompressor am künftigen Einsatzort auf (Abb. 4).

Abb. 4

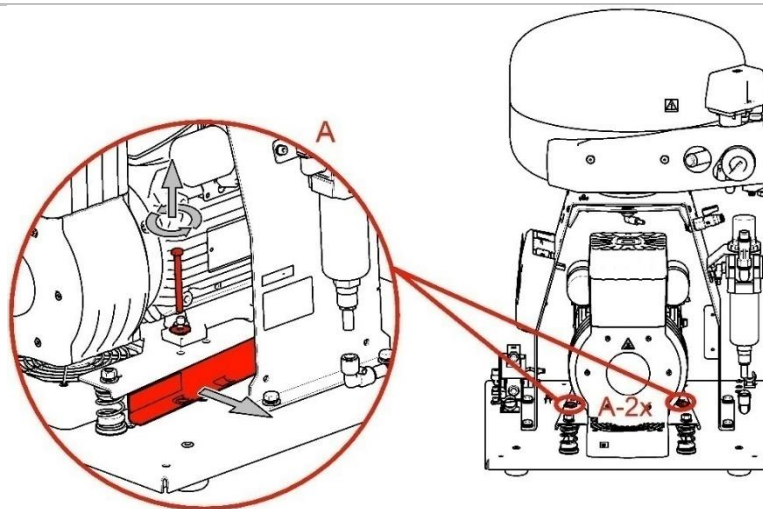


- Entfernen Sie die Transportstützen von den Aggregaten. (Abb. 5)



Entfernen Sie alle für die Sicherung des Kompressoraggregats verwendeten Komponenten, nachdem das Kompressor-Set am endgültigen Einsatzort installiert und montiert wurde!

Abb. 5

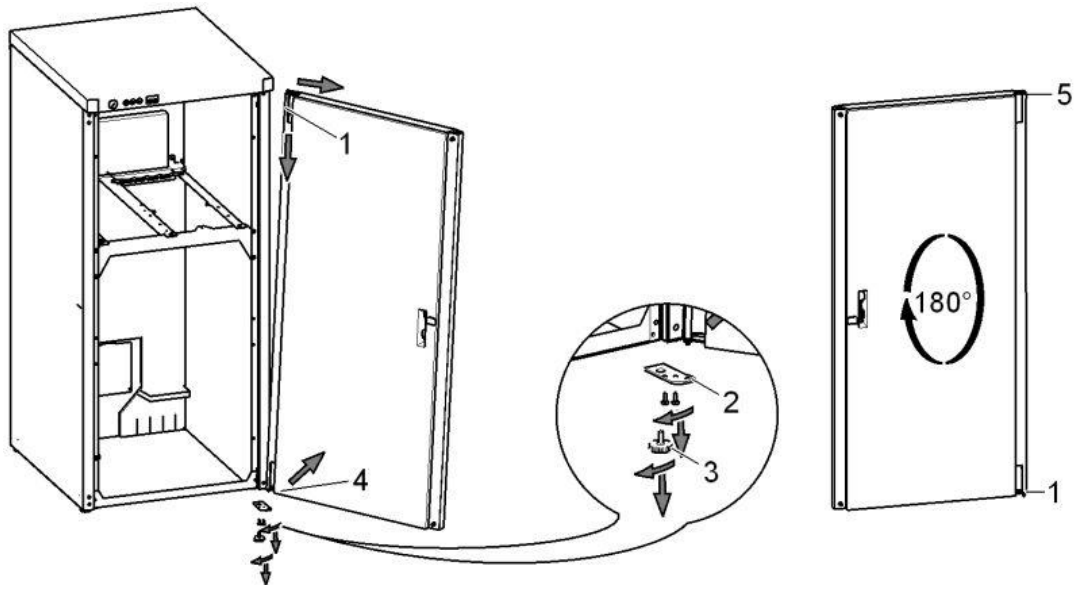


### 12.2. Ändern der Türausrichtung

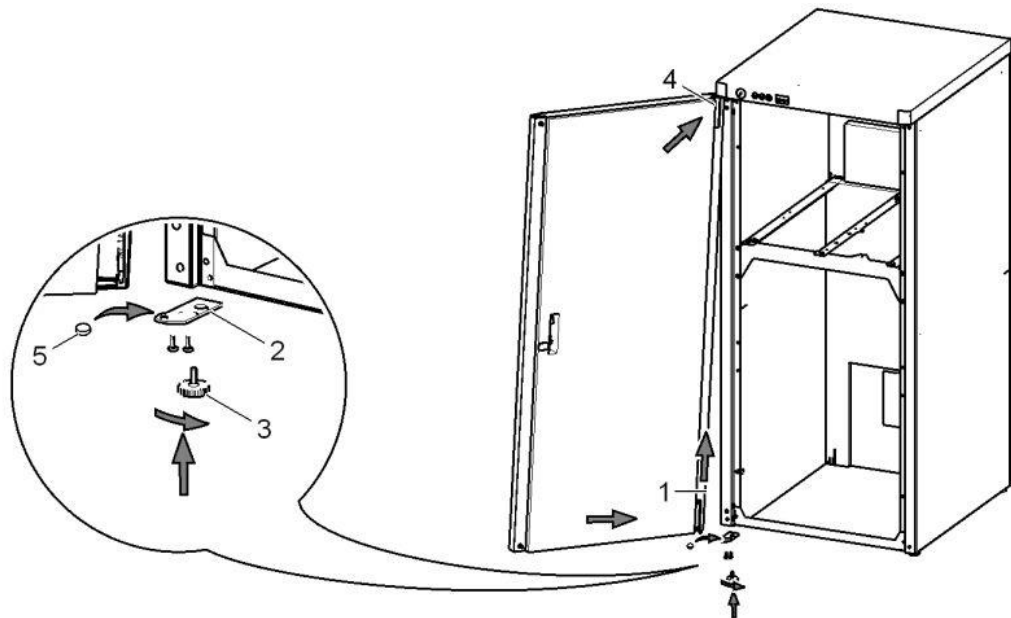
- Entfernen Sie die Tür, die Gleichrichterschraube (3) sowie die Halterung (2) für das Scharnier D (4).
- Installieren Sie die Halterung für das Scharnier D (2) an der linken Seite des Gehäuses.
- Drehen Sie die Tür um 180 Grad.
- Setzen Sie den Abstandhalter (5) zwischen das Scharnier H (1) und den Boden der Tür.
- Bauen Sie die Tür ein.
- Entfernen Sie die Türverriegelung (6) und drehen Sie um 180 Grad.
- Entfernen Sie den Riegel (7) und drehen Sie um 180 Grad.
- Bauen Sie die Verriegelung ein.

DUO, DUO 2V, DUO 2

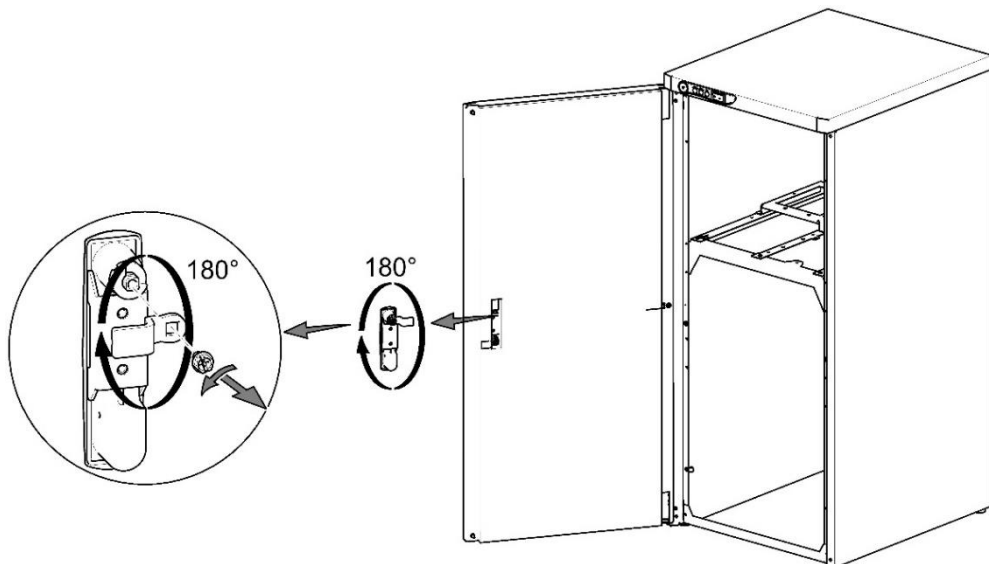
A



B



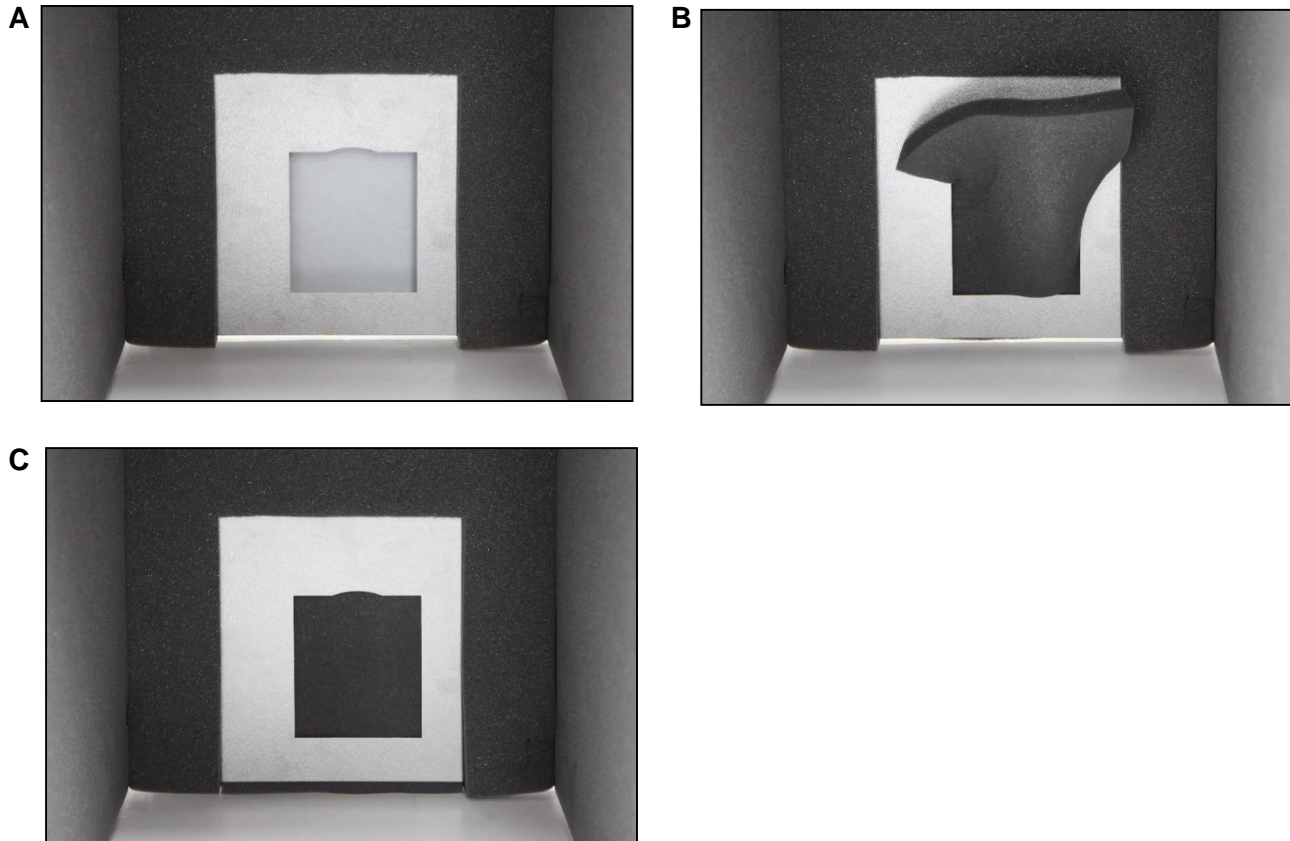
C



### 12.3. Gehäuseeinbau von Schallschutzmaterial

Ein Bauteil aus Schallschutzmaterial ist in die Gehäuseöffnung des Kompressors ohne Trockner einzubauen.

Dieses Teil ist in der mit dem Produkt gelieferten Grundausstattung enthalten.



## 13. PNEUMATISCHE ANSCHLÜSSE

### 13.1. Anschluss an den Druckluftausgang (Abb. 6)

Die Druckleitung (2) ist am Druckluftauslass (1) am Kompressor befestigt. Führen Sie den Schlauch zum Druckluftverteiler oder direkt zum Dental-Set.

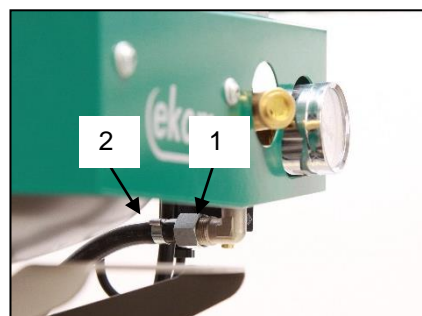


Abb. 6

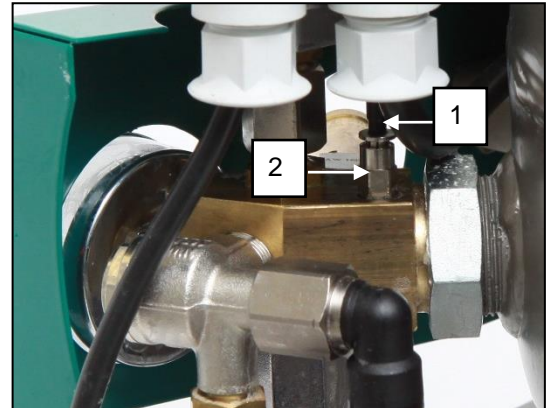
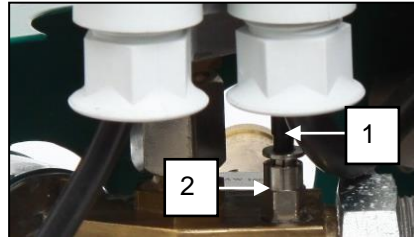


Führen Sie den Druckschlauch bei Kompressoren mit Schrankmontage durch die Öffnung an der Rückwand des Schrankes. (Abb. 8)

### 13.2. Verbinden des Gehäuse -Druckmessers mit dem Kompressor(Abb. 7)

Entfernen Sie den Stopfen (1) von den Gewinden (2) am Druckluftblock des Kompressors. Verbinden Sie das Gehäuse -Druckmesserschlauch mit dem Kompressor.

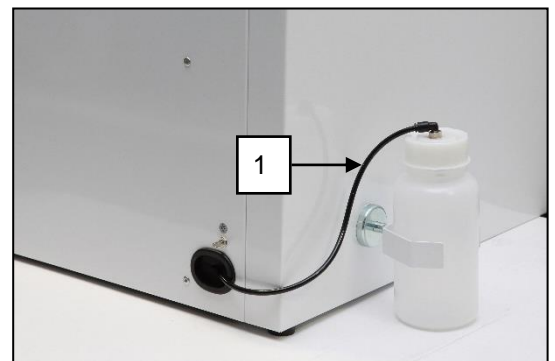
Abb. 7



### 13.3. Anschluss des Kondensatbehälters(Abb. 8)

- Führen Sie bei Kompressor-Modellen mit Trockner den Schlauch (1) durch die Öffnung an der Rückwand des Gehäuses und verbinden Sie ihn mit dem Behälter.

Abb. 8



### 13.4. Vakuumanschluss

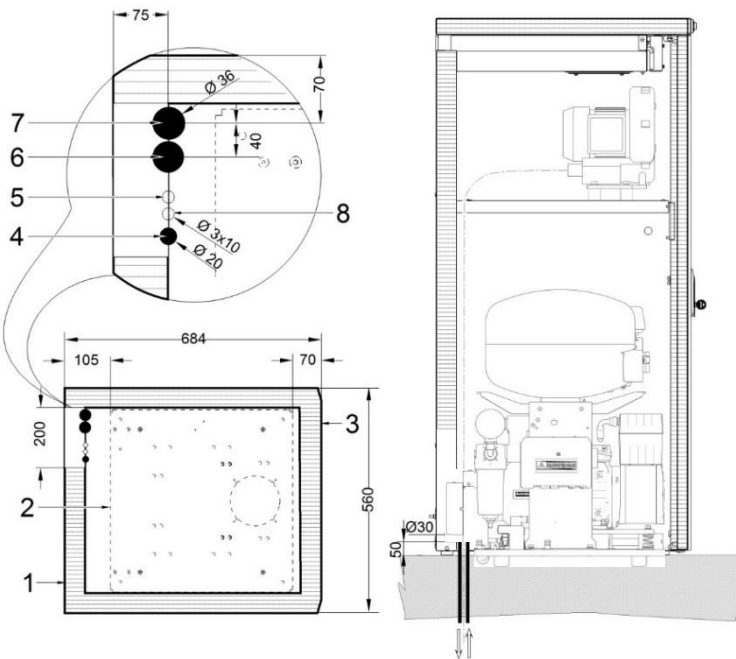
(Abb. 9)

Das Absaugaggregat ist mit Absaug- und Ableitungsschläuchen ausgestattet. Schläuche, die mit dem Einlass/Auslass verbunden sind und die zum Absaugaggregat laufen, werden an der Rückwand des Schrankes zum unteren Bereich hin verlegt. Schläuche für das Absaugaggregat können an die Leitungen im Boden angeschlossen oder durch die hintere Öffnung im Schrank (10) verlegt werden. Schließen Sie den Absaugschlauch am Gerät und den Auslassschlauch an den Leitungen, die außerhalb des Arbeitsbereichs des Bedieners entlangführen, an. Am Ausgang des Absaugsystems kann ein Schalldämpfer montiert werden, um den Geräuschpegel zu reduzieren, der durch die strömende Luft im Schlauch verursacht wird (siehe Kapitel 8.2., Zubehör). Wenn die Luft aus dem Absaugsystem in einen Innenbereich abgelassen wird, muss ein Schalldämpfer mit Bakterienfilter eingebaut werden.



**Risiko für biologische Kontamination. Der von der Ansaugpumpe abgehende Abflussschlauch muss aus dem Arbeitsbereich des Bedieners geleitet werden. Andernfalls ist ein Schalldämpfer mit Bakterienfilter erforderlich.**

Abb. 9A – DUO, DUO 2V – Installation (Verteilersystem im Boden)



- 1 – Übersicht Gehäuse
- 2 – Übersicht Basis
- 3 – Vorderer Abschnitt – Tür
- 4 – Druckluftanschluss G3/8"
- 5 – Steuerungseingang  
Absaugsystem 2A x 0,75
- 6 – Einlass Absaugsystem
- 7 – Auslass Absaugsystem
- 8 – Netzstromeingang  
230 V/50(60) Hz, 3G x 1,5
- 9 – Kondensatablauf für Version mit  
Trockner

– alle Abmessungen sind in  
Millimetern wiedergegeben  
– Abstand von der Rückwand des  
Produkts mind. 100 mm

(Anschluss über die Öffnung an  
der Rückwand des Schrank)

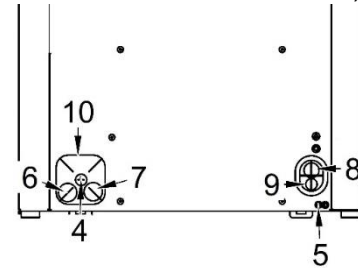
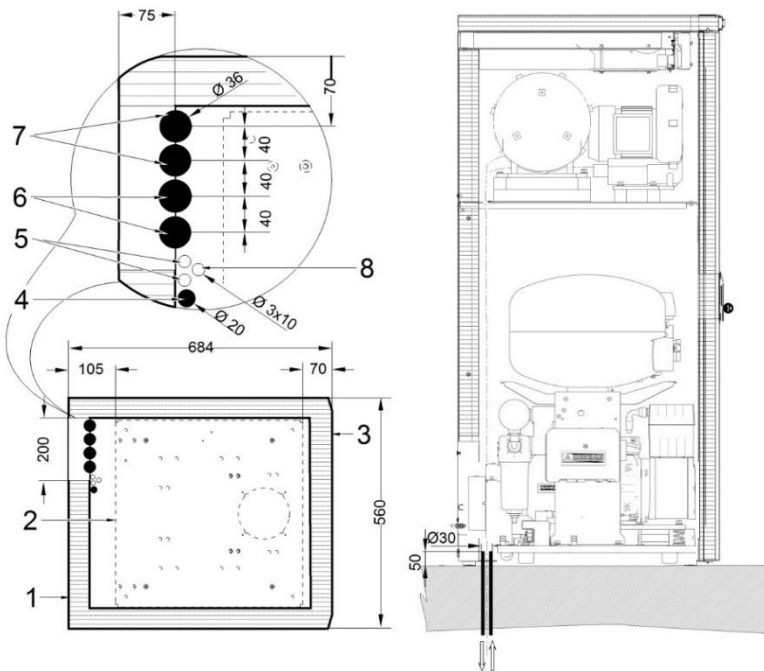


Abb. 9B – DUO 2 – Installation (Verteilersystem im Boden)



- 1 - Übersicht Gehäuse
- 2 - Übersicht Basis
- 3 - Vorderer Abschnitt – Tür
- 4 - Druckluftanschluss G3/8"
- 5 - Steuerungseingang  
für Ansaugung 2A x 0,75
- 6 - Ansaugung und Ableitung aus  
erster Ansaugung
- 7 - Ansaugung und Ableitung aus  
zweiter Ansaugung  
(DUO 2)
- 8 - Stromversorgung  
230 V/50(60) Hz  
3G x 1,5

- alle Abmessungen in Millimeter  
- Abstand zur Wand  
min. 100 mm

## 14. ELEKTRISCHE ANSCHLÜSSE

Das Produkt wird mit einem Netzkabel mit Schutzkontaktsteckern geliefert. Stecken Sie den Netzstecker in eine Steckdose mit entsprechender Spannung.



**Befolgen Sie unbedingt alle örtlichen Vorschriften für die Elektrik. Die Netzspannung und Netzfrequenz müssen mit den Angaben auf dem Gerätetypenschild übereinstimmen.**

- Aus Sicherheitsgründen muss die Steckdose gut zugänglich sein, damit das Gerät im Notfall schnell vom Netz getrennt werden kann.
- Der Stromkreis muss im Sicherungskasten maximal 16 A sein.
- Verbinden Sie den Stift für den Potenzialausgleich  $\varnothing$  6 mm (1) mit dem Stromkreislauf entsprechend den in den gültigen Vorschriften für elektrische Arbeiten aufgeführten Methode. Die Buchse für den Potenzialausgleich (2) ist ein Zubehörteil und nicht im Grundpaket enthalten. (Abb. 10)



Abb. 10



**Stellen Sie sicher, dass das Stromkabel keine heißen Komponenten des Kompressors berührt. Achtung, Stromschlaggefahr!**



**Beschädigte elektrische Kabel oder Luftschläuche müssen sofort ausgetauscht werden.**

Führen Sie den elektrisches Kabel durch die hintere Öffnung in den Schrank oder schließen Sie ihn am Bodenauslass (Abb. 8, 9) an.

### 14.1. Steuerungseingang Absaugsystem

(Abb. 11)

Führen Sie das Kabel der Absaugsystemsteuerung (24 V AC/DC) (12) durch die Öffnung hinten am Schrank (1) oder die Leitung im Boden (11) und sichern Sie es mit Klammern (2) an der linken Schrankplatte und durch die Vertiefung (3) vorn am Schrank. Entfernen Sie die Schalldämpfung (4) von den Schrankecken, solange Sie das Kabel in die Klammern einführen. Entfernen Sie die Abdeckung des Stromkreises (5) und die Abdeckung der elektrischen Schalttafel (6). Verbinden Sie das Kabel des Absaugsystems mit der Platine, wie im Schaltplan dargestellt, führen Sie es in die Vertiefung (3) vorn am Schrank, hinter der Schalldämpfung seitlich am Schrank und in den Stromkreis (7) ein.



**Stellen Sie sicher, dass das Stromkabel keine heißen Komponenten des Kompressors berührt. Hierdurch kann die Isolierung beschädigt werden!**

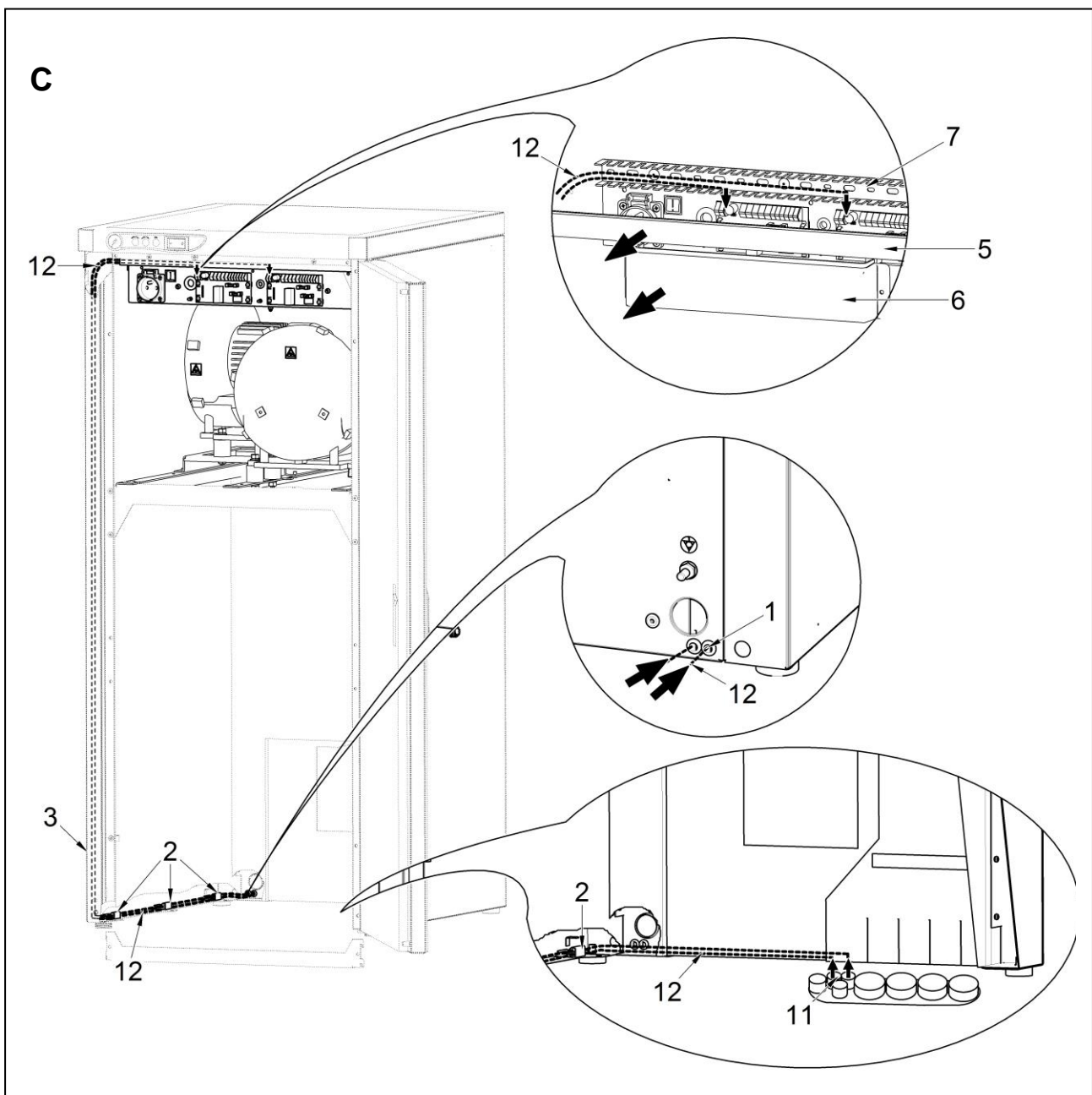
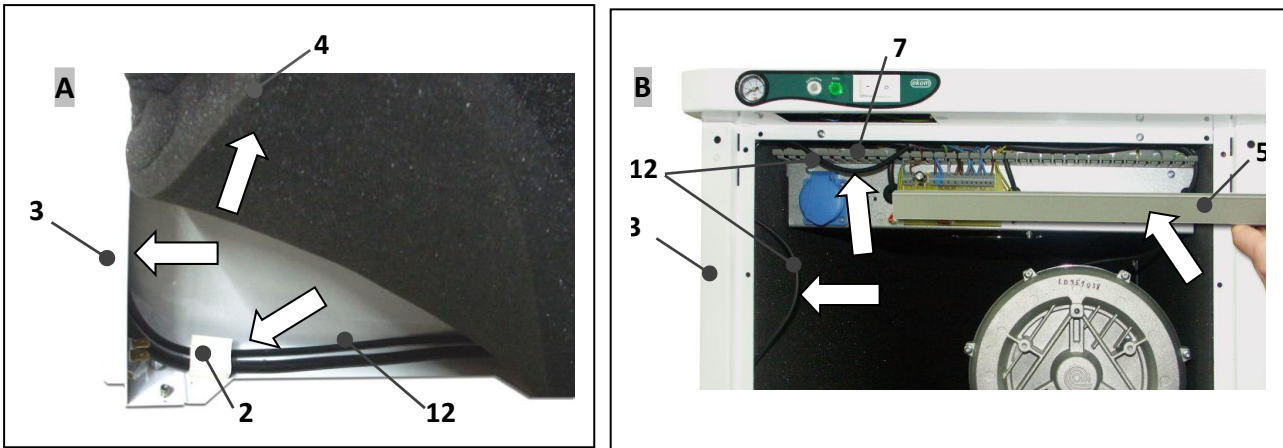


Abb.11



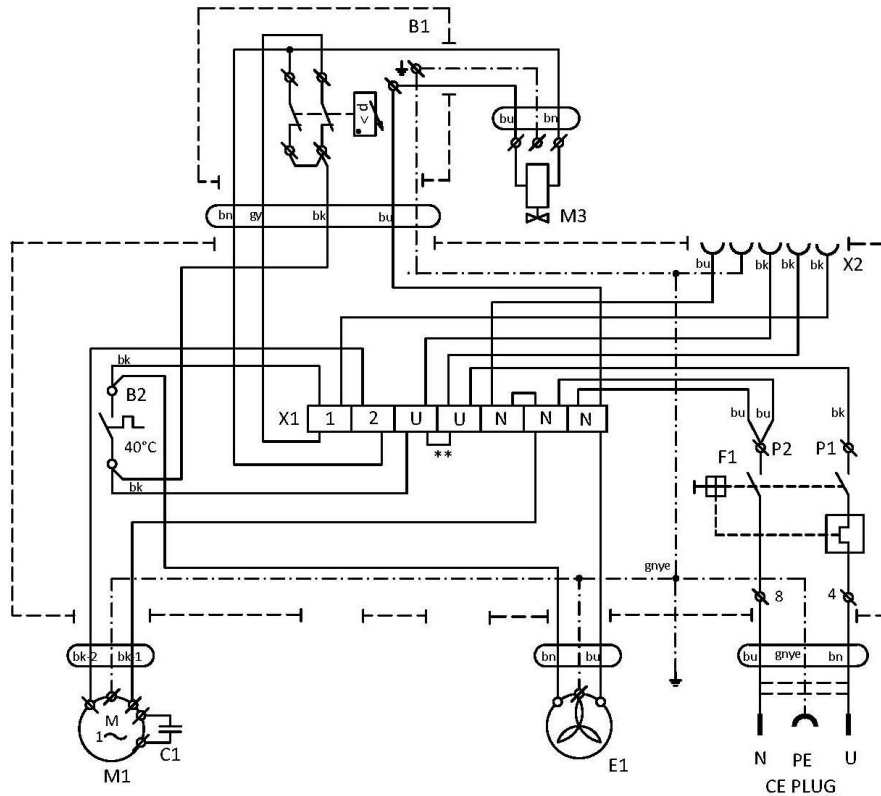
**15. ANSCHLUSSDIAGRAMM**

**DK50 PLUS, DK50 2V**

**5-7 bar, 6-8 bar**

1/N/PE ~ 230V/50Hz, 230V/60Hz

ELEKTRISCHES OBJEKT 1. KAT.

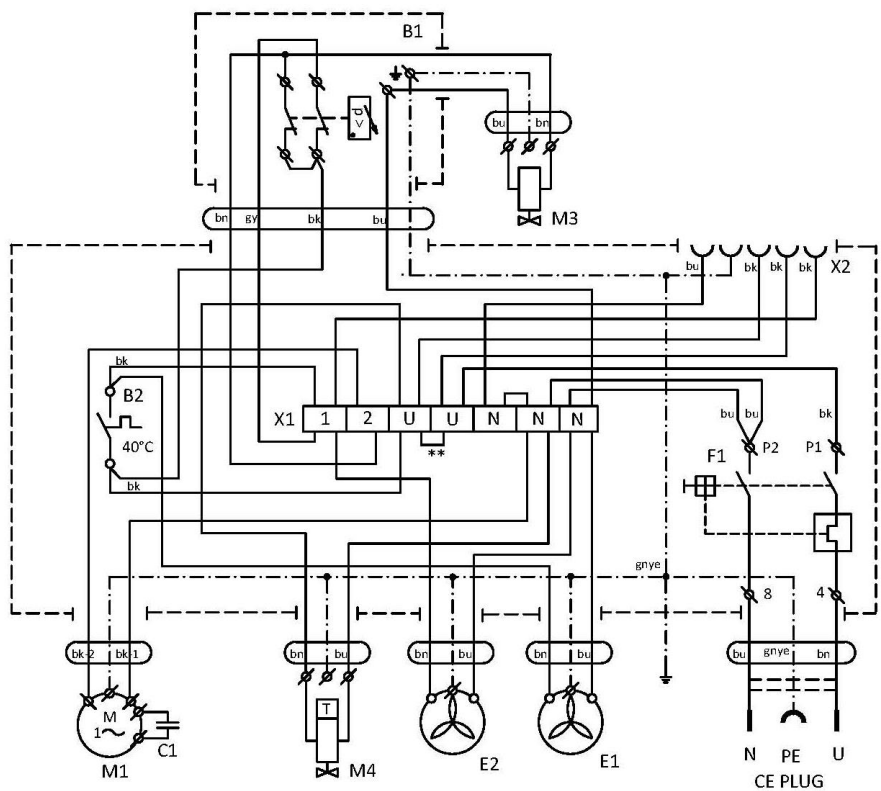


**DK50 PLUS/M, DK50 2V/M**

**5-7 bar, 6-8 bar**

1/N/PE ~ 230V/50Hz, 230V/60Hz

ELEKTRISCHES OBJEKT 1. KAT.

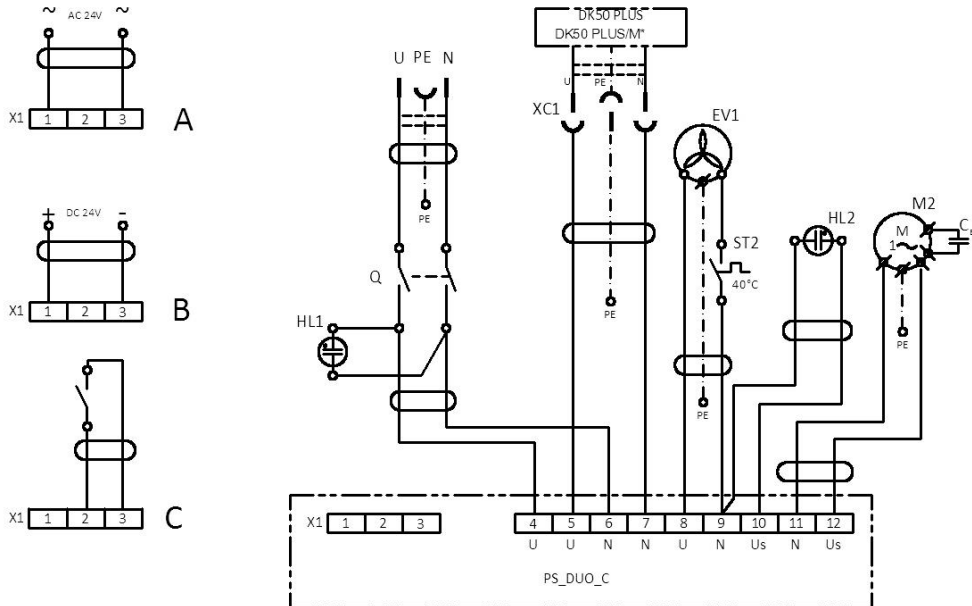


Duo-Schrankausführung mit Absaugsystem

DUO

1/N/PE ~ 230V/50Hz, 230V/60Hz

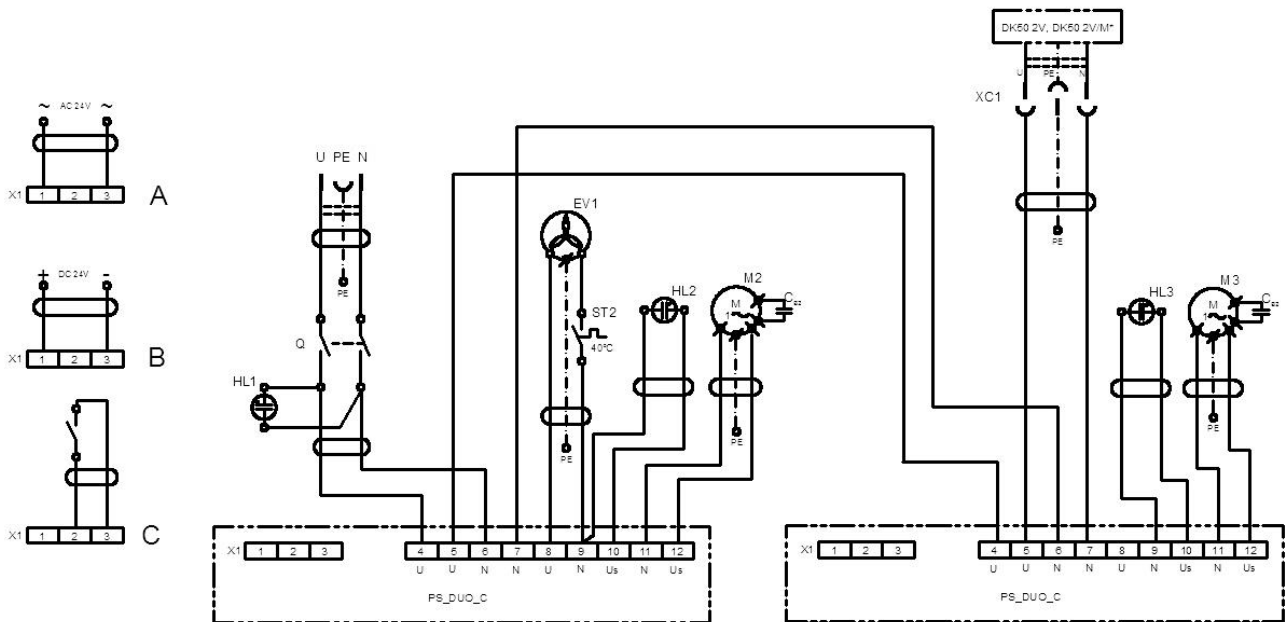
ELEKTRISCHES OBJEKT 1. KAT.



DUO2, DUO 2V

1/N/PE ~ 230V/50Hz, 230V/60Hz

ELEKTRISCHES OBJEKT 1. KAT.



Legende für Elektroschaltplan

M1	Kompressormotor	X1	Anschlusskasten
E1	Kompressorlüfter	F1	Trennschalter
E2	Trocknerlüfter	M4	Kondensatablassventil
M3	Ablassventil	XC1	Buchse
B2	Temperaturschalter	HL1,HL2	Anzeigen
EV1	Schranklüfter	HL3	Anzeigen
X2	Stecker	M2, M3	Motor der Absauganlage
C1, Cb	Kondensator	ST2	Temperaturschalter
B1	Druckschalter	Q	Schalter

**BEDIENUNG**

**DAS GERÄT DARF NUR DURCH GESCHULTES PERSONAL BEDIENT WERDEN!**



**DAS GERÄT BEI GEFahr VOM STROMNETZ TRENNEN (NETZSTECKER ZIEHEN).**



**DIE OBERFLÄCHEN DES KOMPRESSORAGGREGATS SIND HEISS.  
BEI KONTAKT KÖNNEN VERBRENNUNGEN ODER FEUER DIE FOLGE SEIN.**



Bei längerem Betrieb des Kompressors und des Absaugsystems erhöht sich die Temperatur im Schrank auf über 40 °C und der Kühlventilator schaltet sich automatisch ein. Nach dem Herunterkühlen des Bereichs auf unter 32 °C schaltet sich der Ventilator wieder aus.



Automatischer Start – Sinkt der Druck im Druckbehälter unter den Einschaltdruck, schaltet sich der Kompressor automatisch ein. Der Kompressor schaltet sich automatisch aus, wenn der Druck im Drucklufttank den Abschaltdruck erreicht.



Die Einstellungen des Arbeitsdrucks für den Druckschalter, die vom Hersteller eingestellt sind, können nicht geändert werden. Der Kompressorbetrieb bei einem Betriebsdruck unter dem Schaltdruck weist auf einen hohen Luftverbrauch hin (siehe Kapitel FEHLERBEHEBUNG -Störungen)



Die benötigte Trocknungsleistung kann nur erreicht werden, wenn die angegebenen Betriebsbedingungen eingehalten werden.



Die Trocknungsleistung lässt nach und der erreichte Taupunkt fällt, wenn der Trockner bei einem Druck unterhalb des Mindestarbeitsdrucks benutzt wird!



**WIRD DER TROCKNER BEI EINER UMGEBUNGSTEMPERATUR BETRIEBEN, DIE HÖHER ALS DIE MAX. BETRIEBSTEMPERATUR IST, KANN DER TROCKNER BESCHÄDIGT WERDEN!**

**16. INBETRIEBNAHME**

- Stellen Sie sicher, dass alle Transporthilfen entfernt wurden.
- Kontrollieren Sie, ob alle Druckluftleitungen ordnungsgemäß angeschlossen sind.
- Kontrollieren Sie, ob der Strom korrekt an den Kompressor angeschlossen ist.
- Kontrollieren Sie die Verbindung des Schrank-Druckmessschlauchs zum Kompressor-Pneumatikblock. (Abb. 3 a 7)
- Kontrollieren Sie das Stromkabel des Kompressors in der Schrankbuchse (34). (Abb. 3)
- Überprüfen Sie den Anschluss des Steuerkabels (12) der Ansaugung. (Abb. 11)
- Überprüfen Sie den Anschluss der Ansaug- und Ableitungsschläuche. (Abb.9)
- Überprüfen Sie die Position des Trennschalters, um sicherzustellen, dass dieser auf der „I“-Position steht. Drehen Sie den Trennschalter (4) auf die „I“-Position, wenn er zuvor auf der „0“-Position stand. (Abb. 12)
- Drehen Sie den Schalter (5) an der Vorderseite des Schrankes auf die „I“-Position; ein grünes Licht zeigt an, dass das Gerät in Betrieb ist. (Abb. 12)



**Der Kompressor besitzt keine Reserveenergiequelle.**

## 17. EINSCHALTEN DES KOMPRESSORS

(Abb. 12)

Schalten Sie den Kompressor am Druckschalter (1) ein, indem Sie den Schalter (2) auf die „I“-Position drehen. Überprüfen Sie die Position des Trennschalters, um sicherzustellen, dass dieser auf der „I“-Position steht. Wenn dies nicht der Fall ist, drehen Sie den Schalter (4) auf die „I“-Position. Drehen Sie den Schalter (5) vorn am Schrank, die Anzeige wechselt auf grün. Der Kompressor beginnt zu laufen, der Druckluftbehälter wird gefüllt und der Schaltdruck und der Druckschalter schalten den Kompressor aus. Der Kompressor läuft im Automatikmodus und wird durch den Druckschalter basierend auf dem Druckluftverbrauch ein- und ausgeschaltet.

Kontrollieren Sie die Werte des Ein- und Ausschaltedrucks mithilfe des Druckmessers (3). Eine Toleranz von  $\pm 10\%$  ist akzeptabel. Der Druck im Luftbehälter darf den zulässigen Betriebsdruck nicht überschreiten.

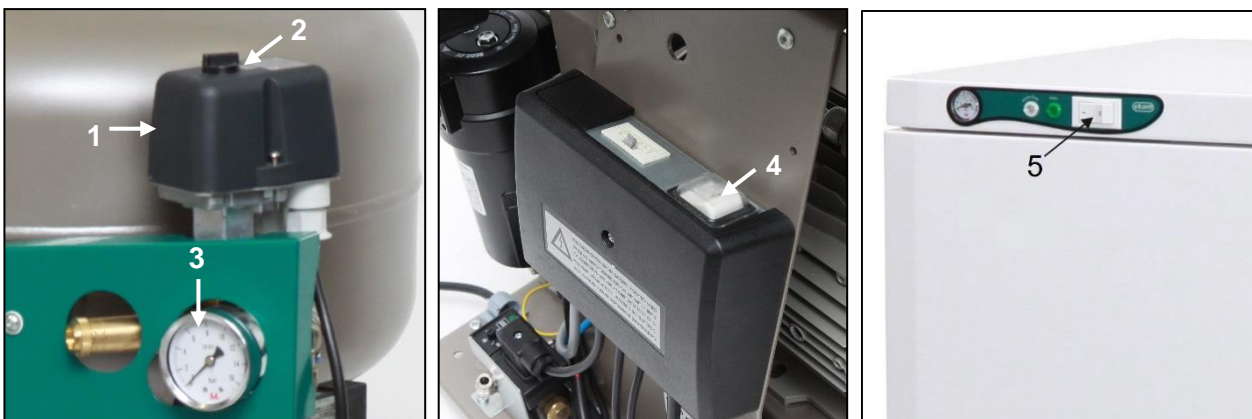


Abb. 12



**Anpassungen an den Druckbereich des Kompressor-Druckschalters sind unzulässig. Der Druckschalter (1) wurde vom Hersteller eingestellt. Diese Einstellungen dürfen nur von einem vom Hersteller geschulten, qualifizierten Techniker geändert werden.**

**Kompressor mit Absaugsystem** – Bei der Inbetriebnahme füllt der Kompressor den Druckluftbehälter bis zum Schaltdruck und der Druckschalter schaltet den Kompressor aus. Der Kompressor läuft im Automatikmodus und wird durch die Ein- und Aus-Druckeinstellungen am Druckschalter basierend auf dem Druckluftverbrauch gesteuert.

Das Absaugaggregat wird über das Dental-Set gesteuert. Der Betrieb des Absaugsystems wird durch die weiße Leuchte vorn am Schrank angezeigt.

**Kompressor mit Trockner** – der Kompressor läuft auf dieselbe Art und Weise wie oben beschrieben, nur strömt die Druckluft durch einen Kühler, um Feuchtigkeit aus der Druckluft zu entfernen.

## 18. ABSCHALTEN DES KOMPRESSORS

(Abb. 12)

Für Wartungsarbeiten oder aus anderen Gründen wird der Kompressor über den Druckschalter (1) abgeschaltet, indem der Wahlschalter (2) auf die „0“-Position gestellt und der **Netzstecker aus der Steckdose gezogen wird**. Damit wird der Kompressor von der Stromversorgung getrennt. Lassen Sie die Druckluft im Druckluftbehälter durch Öffnen des Ablassventils vollständig ab. (Abb. 13)

**WARTUNG****19. WARTUNG DES GERÄTS****Warnung!**

Der Bediener muss mindestens alle 24 Monate (EN62353) oder in Intervallen, die durch geltende nationale Rechtsvorschriften vorgegeben sind, das Gerät regelmäßig testen. Die Testergebnisse sind aufzuzeichnen (z. B. gemäß EN 62353, Anhang G), darin sind auch die Messverfahren zu nennen.

Das Gerät wurde so konstruiert und hergestellt, dass nur eine minimale Wartung nötig ist. Die folgenden Arbeiten sind auszuführen, um ein korrektes und zuverlässiges Funktionieren des Kompressors zu gewährleisten.



**Bevor Sie mit den Wartungsarbeiten am Kompressor beginnen, stellen Sie sicher, dass der Kompressor vom Gerät getrennt ist, um die Person, die am Gerät arbeitet, nicht zu gefährden und um Sachschäden zu vermeiden!**



**Aggregatkomponenten (Köpfe, Zylinder, Druckschlauch usw.) sind während und direkt nach dem Kompressorbetrieb sehr heiß – Komponenten nicht berühren!**



**Reparaturarbeiten, die den Rahmen der normalen Wartung überschreiten, dürfen nur durch qualifizierte Fachleute oder durch den Kundendienst des Herstellers ausgeführt werden.**

**Dabei dürfen nur vom Hersteller zugelassene Ersatzteile und zugelassenes Zubehör verwendet werden.**



**SCHÜTZEN SIE IHRE AUGEN. TRAGEN SIE EINE SCHUTZBRILLE, WENN SIE DRUCKLUFT AUS DEM DRUCKLUFTKREISLAUF (DRUCKLUFTTANK) ENTLASSEN.**

Die nachfolgenden Arbeiten dürfen nur von geschultem Personal wie folgt ausgeführt werden:



**BEVOR SIE MIT WARTUNGSARBEITEN BEGINNEN, TRENNEN SIE DEN KOMPRESSOR VOM NETZSTROM (NETZSTECKER ZIEHEN) UND LASSEN SIE DIE DRUCKLUFT AUS DEM LUFTBEHÄLTER AB.**



**Vor Wartungs- oder Servicearbeiten und vor dem Anschließen/Trennen der Druckluftversorgung das Gerät abkühlen lassen!**



**Wurde der Erdungsdraht bei Servicearbeiten entfernt, diesen nach Abschluss der Arbeiten wieder an der ursprünglichen Position anbringen.**



**Die Absauganlage kann kontaminiert sein. Im Reparaturfall ist es erforderlich, die Absauganlage an ein Spezialunternehmen für Dekontamination oder an EKOM spol. s.r.o. zu senden.**

**19.1. Wartungsintervalle**

Zeitintervall <sup>c)</sup>	50 Hz 60 Hz	einmal täglich	einmal wöchentlich	einmal jährlich	Alle 2 Jahre		2000 Stunden		4000 Stunden		6000 Stunden		8000 Stunden		10000 Stunden		12000 Stunden		Kap.	Ersatzteil- Set geliefert durch	Ausgeführt durch
					1600 Stunden	3200 Stunden	4800 Stunden	6400 Stunden	8000 Stunden	9600 Stunden	10000 Stunden	12000 Stunden	Benutzer	qualifizierte Fachkraft							
Betriebliche Produktüberprüfungen		X																	19.2	-	
Kondensat aus Druckluftbehälter ablassen – bei hoher Luftfeuchtigkeit <sup>b)</sup> – Das Kondensat aus dem Behälter ablassen <sup>d)</sup>		X																	19.5	-	
Kondensat aus Druckluftbehälter ablassen b) - Bei normaler Luftfeuchtigkeit			X																19.5	-	
Produktfunktionsprüfung			X																9	-	
Prüfen der Dichtigkeit der Anschlüsse und Prüfen des Geräts				X															19.3	-	
Überprüfung der Stromanschlüsse				X															19.4	-	
Überprüfung von Kühler und Lüfter				X															19.9	-	
Austausch des Filterelements im Trocknerfilter				X															19.8	025200304-000	
Kontrolle des Sicherheitsventils				X															19.6	-	
Austausch des Ansaugfilters am DK50 PLUS-Aggregat <sup>a)</sup>					X				X			X							19.7	025200126-000	
Austausch des Ansaugfilters und Vorfilters am DK50 2V-Aggregat <sup>a)</sup>					X				X			X							19.7	025200139-000	
Führen Sie eine „Wiederholungsprüfung“ nach EN 62353 aus						X													19.	025200150-000	

<sup>a)</sup> Daten werden in Stunden angegeben; falls nicht möglich, werden die Daten in Jahren angegeben

<sup>b)</sup> nur für Kompressoren ohne Trockner

<sup>c)</sup> Reduzieren Sie für Kompressormodelle mit 60 Hz das Zeitintervall in Stunden um 20 % (2000h./1600h., 4000h./3200h., 6000h./4800h., 8000h./6400h., 10000h./8000h., 12000h./9600h.)

<sup>d)</sup> nur für Kompressoren mit Trockner

### 19.2. Betriebsprüfungen

- Aggregatzustand prüfen – die Aggregate sollten normal, ohne übermäßige Schwingung oder Geräuschentwicklung laufen. Beheben Sie Probleme oder rufen Sie einen Servicemitarbeiter, falls ein Fehler erkannt wurde
- Sichtprüfung des Lüfterbetriebs – die Lüfter müssen anlaufen, wenn ein Aggregat in Betrieb ist. Beheben Sie Probleme oder rufen Sie einen Servicemitarbeiter, falls ein Fehler erkannt wurde
- Stellen Sie sicher, dass das Netzkabel und die Druckluftschläuche unbeschädigt sind. Ersetzen Sie beschädigte Komponenten oder rufen Sie einen Servicemitarbeiter.
- Überprüfen Sie die Umgebungstemperatur – die Umgebungstemperatur muss unter der Temperaturgrenze (40 °C) liegen. Kühlen Sie den Bereich, wenn die Temperatur zu hoch ist.
- Bei Kompressoren mit Trockner – öffnen Sie den Stopfen am Kondensatsammelbehälter, um das Kondensat abzulassen.

### 19.3. Prüfen Sie die Dichtigkeit der Druckluftverbindung und Prüfen Sie das Gerät

#### Prüfung der Dichtigkeit:

- Prüfen Sie die Dichtigkeit der Druckluftanschlüsse, wenn der Kompressor läuft – unter Druck.
- Verwenden Sie ein Lecksuchgerät oder Seifenwasser, um alle Verbindungen und Anschlüsse auf Undichtigkeiten zu überprüfen. Verbindungen, an denen Undichtigkeiten festgestellt wurden, sind festzuziehen oder erneut abzudichten.

#### Prüfung des Geräts:

- Überprüfen Sie den Zustand des Kompressoraggregats auf reibungslosen Betrieb und niedrigen Geräuschpegel.
- Überprüfen der Lüfterfunktion – die Lüfter müssen während der festgelegten Arbeitszyklen des Kompressors laufen
- Überprüfung der Temperaturschaltung (B2) – heizen Sie den Temperaturschalter auf eine Temperatur über 40 °C auf (z. B. durch Verwendung einer Wärmepistole. Achten Sie darauf, keine Plastikteile in der Umgebung zu verformen). Der Lüfter EV1 (und EV2 bei Kompressoren mit Trockner) läuft an, sobald die Temperatur 40 °C erreicht, sofern der Kompressor an den Strom angeschlossen ist.
- Überprüfen Sie den Filterzustand – die Filter müssen unbeschädigt und ausreichend sauber sein.
- Überprüfen Sie den Zustand des Aggregates selbst und achten Sie darauf, dass keine Verschmutzungen im Kurbelwellengehäuse und kein Spiel im Kurbelwellengehäuse vorhanden sind.

Defekte Teile sind nach Bedarf auszutauschen.

### 19.4. Überprüfung der Stromanschlüsse



**Kontrollieren Sie alle Stromanschlüsse am Gerät bei getrenntem Netzstromanschluss!**

#### Überprüfung

- Kontrollieren Sie die mechanische Funktion des Druckschalters.
- Stellen Sie sicher, dass das Netzkabel und die angeschlossenen Kabel unbeschädigt sind.
- Nehmen Sie eine Sichtprüfung der Anschlüsse der einzelnen Kabel an der Klemmleiste vor.
- Überprüfen Sie alle Schraubklemmen bzgl. der schützenden grünen und gelben PE-Erdungsleiter.

### 19.5. Kondensatablauf

#### Kompressoren (Abb. 13)

Es wird empfohlen, das Kondensat aus dem Druckbehälter während des normalen Betriebs abzulassen. Schalten Sie den Kompressor am Stromnetz aus. Senken Sie den Luftdruck im Gerät auf max. 1 bar, indem Sie Luft über das angeschlossene Gerät ablassen. Schließen Sie den Schlauch aus dem Basispaket am Ablassventil an. Stellen Sie den Behälter unter den Schlauch und lassen Sie das Kondensat durch Öffnen des Ablassventils (1) aus dem Behälter ab.



Abb. 13



**Das Ablassventil vorsichtig und langsam öffnen. Wird das Ablassventil schnell geöffnet, ist ein lautes Geräusch zu hören und das angesammelte Kondensat stürzt in einem nicht kontrollierbaren Schwall heraus.**

Kompressoren ohne Trockner können mit einem automatischen Kondensatableiter ausgestattet sein, damit das Kondensat ohne manuelle Eingriffe abfließen kann (siehe Kap. 8.2.).

#### Kompressoren mit Lufttrockner (Abb. 14)

Das Kondensat aus Kompressoren mit Lufttrocknern wird automatisch in eine Flasche abgelassen. Die Flasche muss regelmäßig entleert werden.



Abb. 14



**Überwachen Sie den Füllstand im Behälter mithilfe der 1-L- oder 2-L-Markierungen (je nach Fassungsvermögen des Behälters) und entleeren Sie den Behälter mindestens einmal täglich. Der Behälter kann überlaufen, wenn das Kondensat nicht zum festgelegten Intervall entleert wird.**



**Bei einem Behälterüberlauf besteht Rutschgefahr auf nassem Boden.**



**VOR WEITEREN KONTROLLEN SIND FOLGENDE SCHRITTE ERFORDERLICH:**

**Kompressoren mit Gehäuse** – Lösen Sie die Türverriegelung und öffnen Sie die Schaltschranktür.

### 19.6. Kontrolle des Sicherheitsventils

(Abb. 15)

Wird der Kompressor erstmals in Betrieb genommen, stellen Sie sicher, dass das Sicherheitsventil korrekt funktioniert. Drehen Sie die Schraube (2) des Sicherheitsventils (1) mehrere Umdrehungen nach links, bis das Sicherheitsventil Luft ablässt. Das Sicherheitsventil nur kurz frei ausblasen lassen. Die Schraube (2) nach rechts bis zum Anschlag drehen. Das Ventil muss jetzt wieder geschlossen sein.

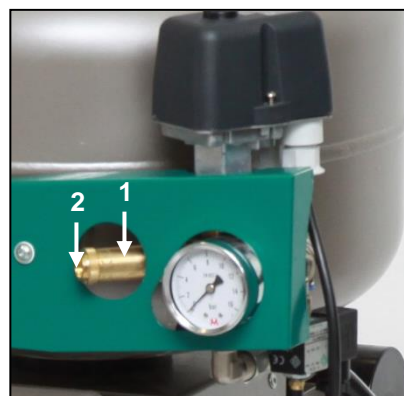


Abb. 15



**Verwenden Sie das Sicherheitsventil niemals, um Druckluft aus dem Druckluftbehälter abzulassen. Das könnte das Sicherheitsventil beschädigen. Das Ventil ist durch den Hersteller auf den maximal zulässigen Druck voreingestellt. Justierungen sind nicht zulässig!**



**ACHTUNG! DRUCKLUFT IST GEFÄHRLICH UND KANN ZU AUGENVERLETZUNGEN FÜHREN! KANN ZU AUGENVERLETZUNGEN FÜHREN.**



### 19.7. Austausch des Ansaugfilters und Vorfilters

(Abb. 16)

Der Ansaugfilter befindet sich im Kurbelwellengehäuse des Kompressors.

Austausch des Ansaugfilters:

- Ziehen Sie den Gummistopfen mit der Hand heraus (2).
- Entfernen Sie den gebrauchten Filter (1).
- Setzen Sie einen neuen Filter ein und setzen Sie den Gummistopfen wieder ein.

Austausch des Vorfilters:

- Ziehen Sie den Vorfilter mit der Hand heraus (3).
- Tauschen Sie das Element aus und setzen Sie es erneut ein.

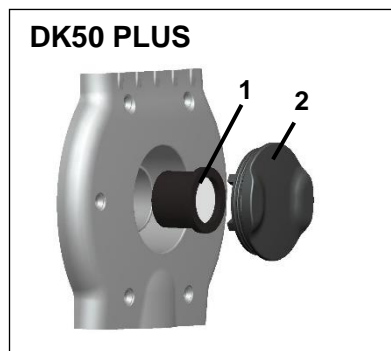
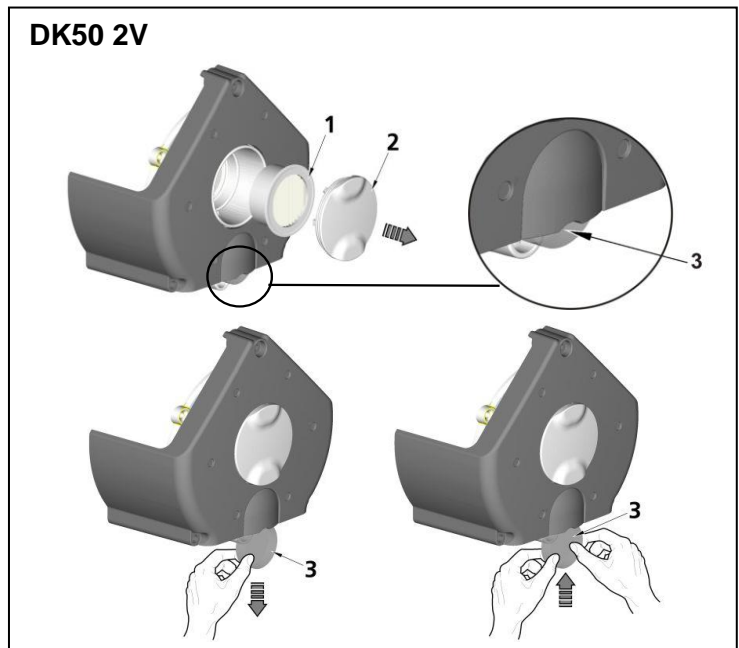


Abb. 16



### 19.8. Austausch des Filterelements

(Abb. 17)

- Entfernen Sie den Schlauch (1) von der Schnellkupplung.
- Verwenden Sie einen Schraubenschlüssel (2), um den Filterbehälter (3) zu lösen und entfernen Sie diesen.
- Ziehen Sie das Filterelement (3) zum Entfernen nach unten.
- Setzen Sie ein neues Filterelement ein.
- Bringen Sie den Filterbehälter wieder an.
- Ziehen Sie den Filterbehälter vorsichtig mit dem Schraubenschlüssel fest.
- Schließen Sie den Schlauch erneut an die Schnellkupplung an.

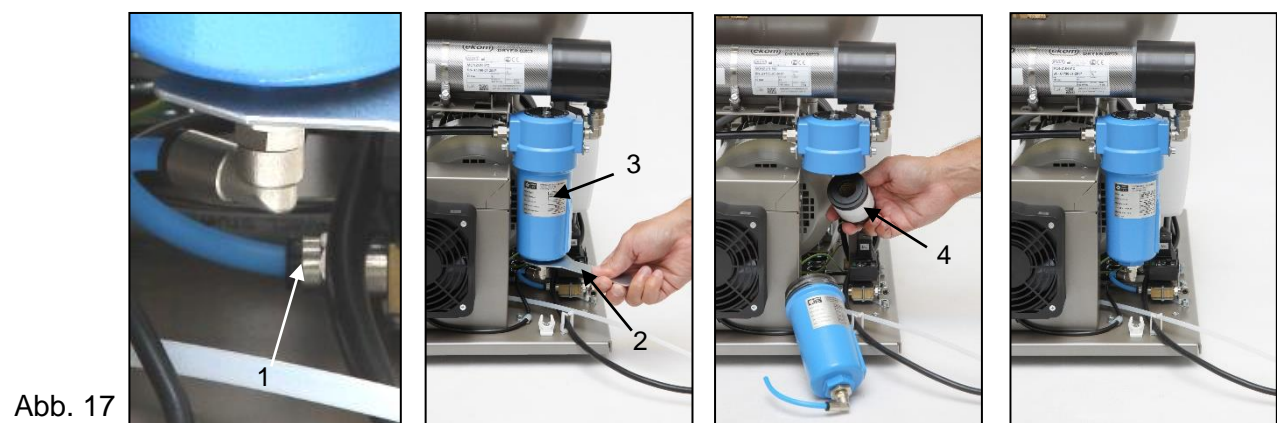


Abb. 17

### 19.9. Überprüfung von Kühler und Lüfter (Abb. 2)

Die Ausrüstung, insbesondere der Kompressorventilator, der Kühlerlüfter (21) und der Kühler (14), muss sauber gehalten werden, um eine effiziente Trocknerleistung zu gewährleisten. Entfernen Sie Staub vom Ventilator oder von den Kühlrippen und verwenden Sie hierzu einen Staubsauger oder Druckluft.

### 19.10. Reinigung und Desinfektion von Produktaußenflächen

Zur Reinigung und Desinfektion der Produktaußenflächen nur neutrale Mittel benutzen.



**Anwendung von Alkohol und Chlorid enthaltenden aggressiven Reinigungs- und Desinfektionsmitteln kann zur Produktoberflächenbeschädigungen und zur deren Verfärbung führen.**

### FEHLERBEHEBUNG



**Bevor sie fortfahren, verringern sie den Luftdruck im Druckluftbehälter auf Null und trennen sie das Gerät vom Stromnetz.**

Das Gerät, vor allem der Kühlventilator, muss sauber gehalten werden, damit die langfristige Funktion des Kühlers gewährleistet ist. Die Kühl lamellen müssen gelegentlich vom Staub befreit werden.

Die Behebung von Fehlern darf nur durch qualifizierte Fachkräfte erfolgen.



**Einhaltung der Regeln für persönliche Hygiene bei Arbeiten mit kontaminiertem Material. Trennung, Kennzeichnung, Verpackung und Dekontamination von kontaminierten Teilen gemäß gesetzlichen Vorschriften.**

STÖRUNGEN	MÖGLICHE URSACHE	ABHILFE
Kompressor springt nicht an	Keine Spannung am Druckschalter  Motorspule ausgefallen, beschädigter Thermischer Überlastungsschutz Kondensator defekt Festsitzen des Kolbens oder eines anderen rotierenden Teils Der Druckschalter funktioniert nicht	Überprüfen Sie die Spannungskontrolle an der Steckdose - Überprüfen Sie den Schutzschalter und schalten Sie ihn auf Position „I“- Lose Klammer an der Klemmleiste anziehen – Überprüfen Sie das Stromkabel – ersetzen Sie defekte Kabel, Motor oder Wicklungen - Kondensator wechseln - Beschädigte Teile wechseln - Funktion des Druckschalters kontrollieren
Kompressor schaltet sich oft an	Luftleck im Druckluftverteilungssystem Undichtes Rückschlagventil  Größere Menge kondensierter Flüssigkeit im Druckbehälter Niedrige Kompressorleistung	Kontrolle des Druckluftverteilungssystems – undichte Verbindungen abdichten Rückschlagventil reinigen, Dichtungen austauschen, Rückschlag austauschen Kondensat ablassen, Die Zeit für das Befüllen des Druckluftbehälters kontrollieren

Niedriger Druck im Druckluftbehälter (Kompressor läuft durchgängig)	Hoher Druckluftverbrauch des Geräts, Undichtigkeit im Druckluftverteilersystem, niedrige Geräteleistung Störung des Aggregats  Störung des Trockners	Druckluftverbrauch senken Kompressor mit höherer Kapazität verwenden Pneumatiksystem überprüfen – lose Verbindungen festziehen Pumpe reinigen oder austauschen Pumpe reinigen oder austauschen Trockner austauschen
Betrieb des Kompressors über einen längeren Zeitraum	Luftaustritt innerhalb des pneumatischen Verteilersystems Verschlissener Kolbenring Ansaugfilter ist verstopft Fehlerhaftes Magnetventil	Kontrolle des Druckluftverteilungssystems – undichte Verbindungen abdichten Verschlissenen Kolbenring ersetzen Alten Filter durch neuen Filter ersetzen Ventil oder Spule reparieren oder wechseln
Kompressor ist laut (Klopfen, Metallgeräusche)	Schäden an Kolbenlager, Kolbenstange, Motorlager Lockerer oder geborstener Dämpfelement (Feder)	Beschädigtes Lager ersetzen  Beschädigte Feder austauschen
Das Absaugsystem läuft nicht oder unregelmäßig.	Keine Spannung an den Klemmen des Absaugsystems	Spannung an der Steckdose kontrollieren Sicherungen kontrollieren – fehlerhafte Sicherung ersetzen Lose Klemme – festziehen Stromkabel kontrollieren – defektes Kabel ersetzen Steuerspannung kontrollieren
	Sonstiger mechanischer Defekt im Absaugsystem	Lager beschädigt oder Flügelrad des Absaugsystems beschädigt – Kundendienst kontaktieren
	Überhitzung des Absaugsystems (thermischer Überschutzschalter ausgelöst)	Schranklüfter auf korrekte Funktion kontrollieren – bei Defekt ersetzen Die Absaug- und Ablaufleitungen auf Defekte kontrollieren – (beschädigte Schläuche ersetzen und Fremdkörper entfernen)
Die Absaugereinheit saugt nicht oder nur schwach, während der Motor läuft.	Undichte Absaugleitungen, Fremdkörper in der Absaugleitung, verstopfte Abluftleitung	Verbindungen der Absaugleitung kontrollieren, Undichtigkeiten abdichten, Fremdkörper entfernen
Trockner trocknet nicht (Kondenswasser in der Luft) *	Kühlerlüfter funktioniert nicht	Lüfter austauschen Stromquelle kontrollieren
	Beschädigter Trockner	Den Trockner austauschen
	Nicht funktionierender automatischer Kondensatablauf	Reinigen/Austauschen

)\* Nach einer Störung des Trockners müssen die Innenflächen des Druckluftbehälters gründlich gereinigt und die Kondensatflüssigkeit entfernt werden.

**Prüfen Sie den Taupunkt der Luft, die aus dem Druckluftbehälter entweicht (vgl. Kapitel 7 – Technische Daten), um das angeschlossene Gerät vor Schäden zu bewahren!**

## 20. INFORMATIONEN ZU REPARATURBETRIEBEN

Garantieleistungen und Reparaturen nach Ablauf der Garantie werden durch den Hersteller, durch vom Hersteller benannte Firmen oder durch vom Hersteller autorisiertes Servicepersonal vorgenommen.

**Der Hersteller behält sich das Recht vor, ohne Vorankündigung Änderungen am Gerät vorzunehmen. Änderungen beeinträchtigen nicht die Funktionen des Geräts.**

## 21. LAGERUNG

Wenn der Kompressor über einen längeren Zeitraum nicht genutzt wird, lassen Sie das Kondensat vollständig aus dem Behälter ab. Schalten Sie anschließend den Kompressor 10 Minuten lang ein und lassen Sie das Ablassventil (1) (Abb. 13) offen. Schalten Sie den Kompressor mittels des Schalters (2) auf dem Druckschalter (1) (Abb. 12) aus, schließen Sie das Ventil für den Kondensatablass und trennen Sie das Gerät vom Stromnetz.

## 22. ENTSORGUNG DES GERÄTS

- Trennen Sie das Gerät von der Stromversorgung.
- Lassen Sie die Druckluft aus dem Druckluftbehälter durch Öffnen des Ablassventils (1) (Abb. 13) ab.
- Befolgen Sie alle Vorschriften für persönliche Hygiene, wenn Sie mit kontaminierten Materialien arbeiten.
- Die Trennung, Kennzeichnung, Verpackung und Dekontamination von kontaminierten Teilen müssen gemäß gesetzlichen Vorschriften sichergestellt werden.
- Entsorgen Sie das Gerät gemäß den geltenden Umweltvorschriften.
- Bitte beauftragen Sie ein Fachunternehmen mit der Abfalltrennung und -entsorgung.
- Verschlossene Bauteile haben keine negativen Auswirkungen auf die Umwelt.



**Innenteile des Absaugsystems können aufgrund einer unsachgemäßen Verwendung mit biologischem Material kontaminiert sein. Geben Sie das System zur Dekontamination an ein Spezialunternehmen, bevor Sie das Gerät als Abfall aussortieren und entsorgen.**

## TABLES DES MATIÈRES

<b>INFORMATIONS IMPORTANTES .....</b>	<b>82</b>
1. CONFORMITÉ AUX EXIGENCES DES DIRECTIVES DE L'UNION EUROPÉENNE .....	82
2. UTILISATION PRÉVUE .....	82
3. CONTRE-INDICATIONS ET EFFETS SECONDAIRES .....	82
4. AVERTISSEMENTS ET SYMBOLES .....	82
5. AVERTISSEMENTS .....	83
6. STOCKAGE ET TRANSPORT .....	85
7. DONNÉES TECHNIQUES .....	86
8. DESCRIPTION DU PRODUIT .....	93
9. FONCTIONNALITÉ DU PRODUIT .....	95
10. SCHÉMA PNEUMATIQUE .....	100
<b>INSTALLATION .....</b>	<b>101</b>
11. CONDITIONS D'EMPLOI .....	101
12. POSITIONNEMENT DU COMPRESSEUR .....	102
13. RACCORDS PNEUMATIQUES .....	104
14. BRANCHEMENTS ÉLECTRIQUES .....	107
15. SCHÉMA DE RACCORDEMENT .....	109
<b>FONCTIONNEMENT .....</b>	<b>111</b>
16. MISE EN SERVICE .....	111
17. MISE SOUS TENSION DU COMPRESSEUR .....	112
18. ARRÊT DU COMPRESSEUR .....	112
<b>MAINTENANCE .....</b>	<b>113</b>
19. MAINTENANCE DE L'APPAREIL .....	113
<b>DÉPANNAGE .....</b>	<b>118</b>
20. SERVICE DE RÉPARATION .....	120
21. STOCKAGE .....	120
22. MISE AU REBUT DE L'APPAREIL .....	120
<b>ANNEXE .....</b>	<b>281</b>
23. REGISTRE D'INSTALLATION .....	283

## INFORMATIONS IMPORTANTES

### 1. CONFORMITÉ AUX EXIGENCES DES DIRECTIVES DE L'UNION EUROPÉENNE

Ce produit satisfait aux exigences de la directive relative aux dispositifs médicaux (93/42/CEE). Par ailleurs, il est sécurisé pour l'utilisation prévue, sous réserve du respect des consignes de sécurité.

### 2. UTILISATION PRÉVUE

Le compresseur et l'unité d'aspiration sont utilisés comme source d'air comprimé, propre et exempt d'huile, pour alimenter et refroidir les appareils à air comprimé sur les ensembles dentaires, et comme source de vide pour les systèmes d'aspiration. L'appareil peut être utilisé avec tous les types d'ensemble dentaire équipés d'un bloc d'aspiration.



**L'air comprimé fourni par le compresseur ne peut être utilisé avec les appareils artificiels de ventilation pulmonaire sans filtration supplémentaire.**

Toute utilisation non préconisée du produit est considérée comme une utilisation inappropriée. Le fabricant n'est pas responsable des dommages ou blessures résultant d'une utilisation inappropriée.

### 3. CONTRE-INDICATIONS ET EFFETS SECONDAIRES

Il n'existe aucune contre-indication, ni aucun effet secondaire répertorié.

### 4. AVERTISSEMENTS ET SYMBOLES

Les symboles suivants sont utilisés dans le manuel de l'utilisateur, sur l'appareil et son emballage pour présenter les détails et les informations importants :



Avertissements généraux



Attention



Danger, risque d'électrocution



Voir le manuel d'utilisation



Merci de bien vouloir consulter le manuel d'utilisation



Marquage CE



Le compresseur est commandé automatiquement et peut se mettre en marche sans avertissement



Mise en garde ! Surface chaude



Raccordement (Mise) à la terre



Borne de connexion de mise à la terre



Marque de manipulation sur l'emballage – FRAGILE



Marque de manipulation sur l'emballage - HAUT



Marque de manipulation sur l'emballage – TENIR AU SEC



Marque de manipulation sur l'emballage – LIMITATIONS DE TEMPÉRATURE



Marque de manipulation sur l'emballage – EMPILEMENT LIMITÉ



Marque sur l'emballage – MATÉRIAU RECYCLABLE



Fabricant



Risque de danger biologique

## 5. AVERTISSEMENTS

Le produit est conçu et fabriqué de sorte à ne présenter aucun danger pour l'utilisateur et son environnement lorsqu'il est utilisé de la façon prescrite. Gardez les avertissements suivants à l'esprit.

### 5.1. Avertissements généraux

LISEZ ATTENTIVEMENT LE MANUEL D'UTILISATION AVANT D'UTILISER L'APPAREIL ET CONSERVEZ-LE POUR RÉFÉRENCE ULTÉRIEURE !

- Le manuel de l'utilisateur permet l'installation, l'utilisation et la maintenance appropriées du produit. L'utilisation stricte de ce manuel vous fournira les informations nécessaires pour une utilisation correcte du produit aux fins prévues.
- Conservez l'emballage d'origine pour le retour éventuel du produit. Seul l'emballage d'origine garantit la protection adéquate de l'appareil pendant le transport. S'il est nécessaire de retourner le produit au cours de la période de garantie, le fabricant n'est nullement responsable des dommages consécutifs à l'utilisation d'un emballage inapproprié.
- La présente garantie ne couvre pas les dommages dus à l'emploi d'accessoires autres que ceux indiqués ou recommandés par le fabricant.
- Le fabricant garantit uniquement la sécurité, la fiabilité et le fonctionnement du produit, sous réserve que :
  - les installations, les nouveaux réglages, les modifications, les développements et les réparations soient confiés au fabricant ou à un organisme agréé par le fabricant ;
  - le produit soit utilisé conformément au manuel de l'utilisateur.

- Le présent manuel de l'utilisateur présente, au moment de son impression, la configuration du produit, ainsi que sa conformité avec les normes techniques et de sécurité applicables. Le fabricant se réserve tous les droits sur la protection de sa configuration, des méthodes d'installation et des dénominations utilisées.
- La traduction du présent manuel de l'utilisateur est effectuée en conformité avec les meilleures connaissances disponibles. La version slovaque fait foi en cas d'incertitudes.
- Le présent manuel d'utilisateur tient lieu de notice originale. Sa traduction est effectuée en conformité avec les meilleures connaissances disponibles.

## 5.2. Avertissements généraux de sécurité

Le fabricant a conçu et fabriqué le produit de sorte à minimiser tous les risques lorsqu'il est utilisé correctement et aux fins envisagées. Le fabricant considère qu'il relève de sa responsabilité de décrire les mesures générales de sécurité suivantes.

- L'utilisation du produit doit respecter toutes les lois et réglementations locales en vigueur. L'opérateur et l'utilisateur sont tenus de respecter tous les règlements pertinents dans l'intérêt de l'exécution sûre de leurs travaux.
- Seule l'utilisation des pièces d'origine peut garantir la sécurité du personnel utilisateur et le fonctionnement sans faille du produit lui-même. Seuls les accessoires et pièces mentionnés dans la documentation technique ou explicitement agréés par le fabricant doivent être utilisés.
- L'opérateur doit s'assurer que l'appareil fonctionne de façon correcte et sûre avant chaque utilisation.
- L'utilisateur doit parfaitement comprendre le fonctionnement de l'appareil.
- Évitez d'utiliser le produit dans des environnements présentant un risque élevé d'explosion.
- L'utilisateur doit informer immédiatement le fournisseur de tout problème en lien direct avec l'utilisation de l'appareil.

## 5.3. Avertissements de sécurité concernant la protection face au courant électrique

- L'appareil doit être uniquement branché à une prise correctement installée et mise à la terre.
- Avant de brancher le produit, assurez-vous que la tension et la fréquence indiquées sur le produit sont identiques aux valeurs du réseau électrique.
- Avant de mettre l'appareil en marche, vérifiez la présence d'éventuels dommages sur les conduites pneumatiques raccordées et sur les câbles électriques. Remplacez immédiatement les conduites pneumatiques et les câbles électriques endommagés.
- Débranchez immédiatement le produit du secteur (retirez le cordon d'alimentation de la prise) en cas de situations dangereuses ou de dysfonctionnement technique.
- Pendant les réparations et l'entretien, assurez-vous que :
  - la fiche principale n'est plus raccordée à la prise d'alimentation ;
  - la pression est purgée dans le réservoir d'air et les conduits
- Le produit doit uniquement être installé par un technicien qualifié.



## 6. STOCKAGE ET TRANSPORT

Le compresseur est expédié dans un emballage de transport depuis l'usine. Cela permet de protéger l'appareil durant le transport.



**L'emballage original du compresseur doit être utilisé pour le transport dès que cela est possible. Transportez le compresseur en position verticale et sécurisez-le à l'aide de sangles de transport.**



Pendant le transport et le stockage, protégez le compresseur contre l'humidité, la saleté et les températures extrêmes. Entreposez le compresseur dans son emballage d'origine dans un environnement chaud, sec et exempt de poussière. Ne le conservez pas à proximité de produits chimiques.



Conserver, si possible, l'emballage (le conditionnement) d'origine. Dans le cas contraire, veuillez éliminer les matériaux d'emballage en respectant les règles en vigueur en matière d'environnement. Le carton de l'emballage peut être recyclé avec les produits à base de papier.



**Ne transportez le compresseur qu'après en avoir évacué tout l'air comprimé. Avant de déplacer ou de transporter le compresseur, purgez toute la pression d'air dans le réservoir et les tuyaux et vidangez le condensat du réservoir d'air.**



**Le stockage ou le transport de l'appareil dans des conditions autres que celles spécifiées ci-dessous est interdit.**

### Conditions ambiantes de stockage et de transport

Les produits ne peuvent être stockés et transportés que dans des véhicules exempts de toute trace de produits chimiques volatils dans les conditions suivantes :

Température : – 25 °C à +55 °C, 24 h à jusqu'à + 70 °C

Humidité relative : 10 % à 90 % (sans condensation)

## 7. DONNÉES TECHNIQUES

Les compresseurs sont conçus pour des environnements intérieurs secs et ventilés présentant les conditions suivantes :

Température : + 5 °C à + 40 °C

Humidité relative maximale : 70 %

Humidité absolue maximale : 15 g/m<sup>3</sup>.

Tab.1

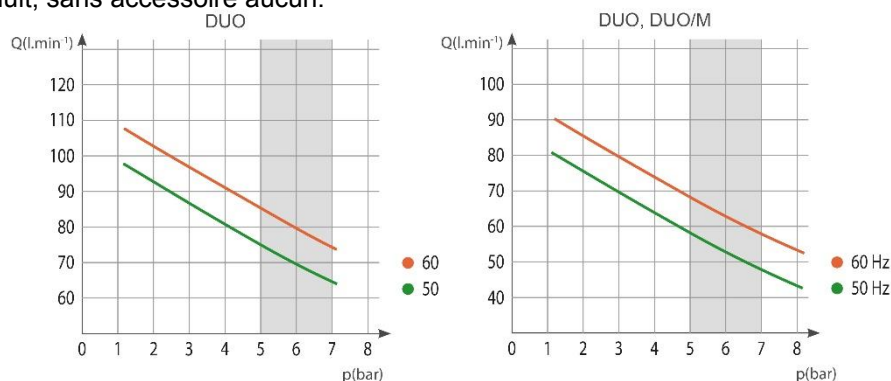
		DUO	DUO/M
Compresseur 5 – 7 bar		DK50 PLUS	DK50 PLUS/M
Unité d'aspiration		1	1
Tension nominale / Fréquence (*)	V / Hz	230 / 50 230 / 60	230 / 50 230 / 60
Capacité à 5 bar	Lit.min <sup>-1</sup>	75 85	58 68
Pression de travail (**)	bar	5,0 – 7,0	5,0 – 7,0
Capacité de l'unité d'aspiration de 5 kPa	Lit.min <sup>-1</sup>	800	800
Vide max. de l'unité d'aspiration	kPa	12	12
Courant maximal	A	6,9 7,9	7,1 8
Puissance du moteur du compresseur	kW	0,55	0,55
Volume du réservoir d'air	Lit.	25	25
Qualité de l'air - filtrage	µm	-	0,3
Pression maximale de fonctionnement de la soupape de sûreté	bar	8,0	8,0
Niveau de bruit à 5 bar	LpfA [dB]	≤47 ≤50	≤47 ≤50
Mode de fonctionnement		S1-100%	S1-100%
Performance de séchage PDP à 7 bar		-	≤ +3°C
Temps de remplissage du réservoir d'air de 0 à 6 bar	s	123 105	157 128
Dimensions (nettes) L x l x h	mm	560x684x1251	560x684x1251
Poids net (***)	kg	114	119
Classification conforme à la norme EN 60601-1		Classe 1	

Remarques :

(\*) Lors de la commande, indiquez la version du compresseur

(\*\*) Pour toute autre plage de pression, veuillez contacter le fournisseur.

(\*\*\*) Les informations relatives au poids sont fournies uniquement à titre d'information et ne s'appliquent qu'au produit, sans accessoire aucun.



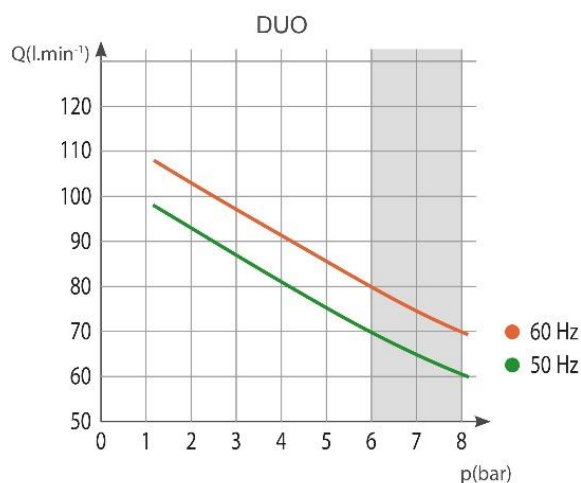
## DUO, DUO 2V, DUO 2

Tab. 2

		DUO	DUO/M
Compresseur 6 – 8 bar		DK50 PLUS	DK50 PLUS/M
Unité d'aspiration		1	1
Tension nominale / Fréquence (*)	V / Hz	230 / 50 230 / 60	230 / 50 230 / 60
Capacité à 6 bar	Lit.min <sup>-1</sup>	70 80	60 70
Pression de travail (**)	bar	6,0 – 8,0	6,0 – 8,0
Capacité de l'unité d'aspiration de 5 kPa	Lit.min <sup>-1</sup>	800	800
Vide max. de l'unité d'aspiration	kPa	12	12
Courant maximal	A	7 8	7,2 8,1
Puissance du moteur du compresseur	kW	0,55	0,55
Volume du réservoir d'air	Lit.	25	25
Qualité de l'air - filtrage	µm	-	0,3
Pression maximale de fonctionnement de la soupape de sûreté	bar	11,0	11,0
Niveau de bruit à 5 bar	LpfA [dB]	≤47 ≤50	≤47 ≤50
Mode de fonctionnement		S1-100%	S1-100%
Performance de séchage PDP à 7 bar		-	≤ +3°C
Temps de remplissage du réservoir d'air de 0 à 7 bar	s	149 126	198 159
Dimensions (nettes) L x l x h	mm	560x684x1251	560x684x1251
Poids net (***)	kg	114	119
Classification conforme à la norme EN 60601-1		Classe 1	

## Remarques :

- (\*) Lors de la commande, indiquez la version du compresseur  
 (\*\*) Pour toute autre plage de pression, veuillez contacter le fournisseur.  
 (\*\*\*) Les informations relatives au poids sont fournies uniquement à titre d'information et ne s'appliquent qu'au produit, sans accessoire aucun.



Tab.3

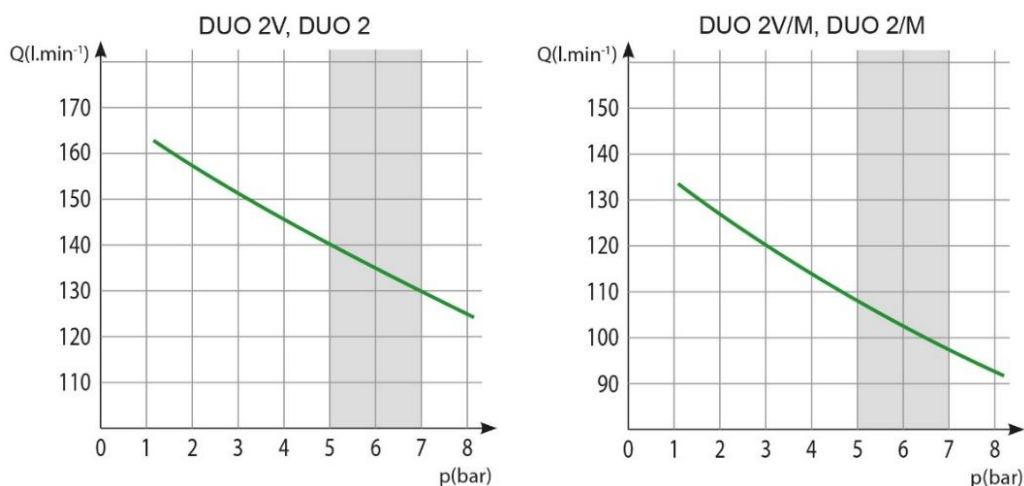
		DUO 2V	DUO 2V/M	DUO 2	DUO 2/M
Compresseur 5 – 7 bar		DK50 2V	DK50 2V/M	DK50 2V	DK50 2V/M
Unité d'aspiration		1	1	2	2
Tension nominale / Fréquence (*)	V / Hz	230 / 50 230 / 60	230 / 50 230 / 60	230 / 50 230 / 60	230 / 50 230 / 60
Capacité à 5 bar	Lit.min <sup>-1</sup>	140	108	140	108
Pression de travail (**)	bar	5,0 – 7,0	5,0 – 7,0	5,0 – 7,0	5,0 – 7,0
Capacité de l'unité d'aspiration de 5 kPa	Lit.min <sup>-1</sup>	800	800	2x800	2x800
Vide max. de l'unité d'aspiration	kPa	12	12	12	12
Courant maximal	A	11,5 12,5	11,7 12,7	14,5 15,4	14,6 15,6
Puissance du moteur du compresseur	kW	1,2	1,2	1,2	1,2
Volume du réservoir d'air	Lit.	25	25	25	25
Qualité de l'air - filtrage	µm	-	0.3	-	0.3
Pression maximale de fonctionnement de la soupape de sûreté	bar	8,0	8,0	8,0	8,0
Niveau de bruit à 5 bar	LpfA [dB]	≤ 51,5	≤ 55,0	≤ 51,5	≤ 55,0
Mode de fonctionnement		S1-100%	S1-100%	S1-100%	S1-100%
Performance de séchage PDP à 7 bar		-	≤ +3°C	-	≤ +3°C
Temps de remplissage du réservoir d'air de 0 à 6 bar	s	52	65	52	65
Dimensions (nettes) L x l x h	mm	560x684x1251	560x684x1251	560x684x1251	560x684x1251
Poids net (***)	kg	121	126	133	138
Classification conforme à la norme EN 60601-1		Classe 1			

## Remarques :

(\*) Lors de la commande, indiquez la version du compresseur

(\*\*) Pour toute autre plage de pression, veuillez contacter le fournisseur.

(\*\*\*) Les informations relatives au poids sont fournies uniquement à titre d'information et ne s'appliquent qu'au produit, sans accessoire aucun.



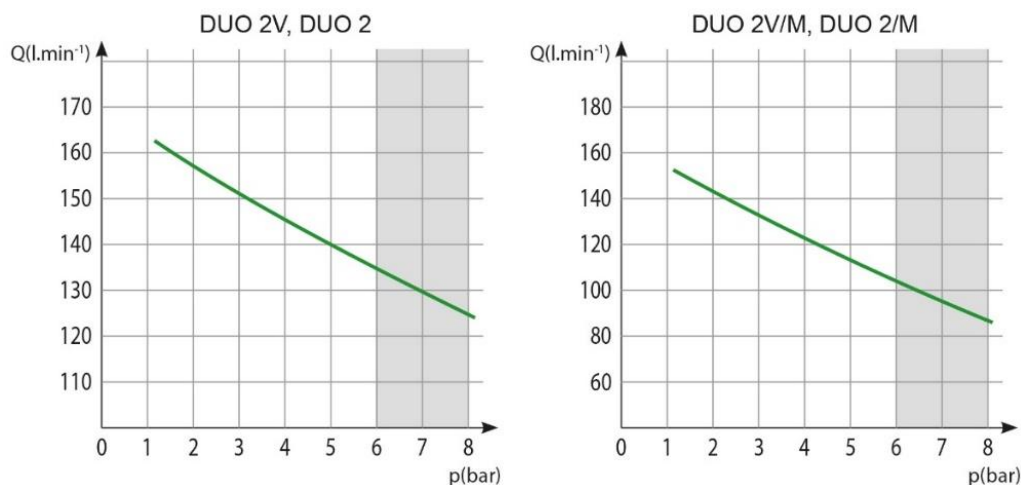
## DUO, DUO 2V, DUO 2

Tab. 4

		DUO 2V	DUO 2V/M	DUO 2	DUO 2
Compresseur 6 – 8 bar		DK50 2V	DK50 2V/M	DK50 2V	DK50 2V/M
Unité d'aspiration		1	1	2	2
Tension nominale / Fréquence (*)	V / Hz	230 / 50 230 / 60	230 / 50 230 / 60	230 / 50 230 / 60	230 / 50 230 / 60
Capacité à 6 bar	Lit.min <sup>-1</sup>	135	104	135	104
Pression de travail (**)	bar	6,0 – 8,0	6,0 – 8,0	6,0 – 8,0	6,0 – 8,0
Capacité de l'unité d'aspiration de 5 kPa	Lit.min <sup>-1</sup>	800	800	2x800	2x800
Vide max. de l'unité d'aspiration	kPa	12	12	12	12
Courant maximal	A	11,8 12,5	12,0 12,7	14,8 15,4	15,0 15,6
Puissance du moteur du compresseur	kW	1,2	1,2	1,2	1,2
Volume du réservoir d'air	Lit.	25	25	25	25
Qualité de l'air - filtrage	µm	-	0,3	-	0,3
Pression maximale de fonctionnement de la soupape de sûreté	bar	11,0	11,0	11,0	11,0
Niveau de bruit à 5 bar	LpfA [dB]	≤ 51,5	≤ 55,0	≤ 51,5	≤ 55,0
Mode de fonctionnement		S1-100%	S1-100%	S1-100%	S1-100%
Performance de séchage PDP à 7 bar		-	≤ +3°C	-	≤ +3°C
Temps de remplissage du réservoir d'air de 0 à 7 bar	s	61	78	61	78
Dimensions (nettes) L x l x h	mm	560x684x1251	560x684x1251	560x684x1251	560x684x1251
Poids net (***)	kg	121	126	133	138
Classification conforme à la norme EN 60601-1		Classe 1			

## Remarques :

- (\*) Lors de la commande, indiquez la version du compresseur  
 (\*\*) Pour toute autre plage de pression, veuillez contacter le fournisseur.  
 (\*\*\*) Les informations relatives au poids sont fournies uniquement à titre d'information et ne s'appliquent qu'au produit, sans accessoire aucun.



### 7.1. Correction de la distribution d'air libre (FAD) en raison de l'altitude

Tableau de correction FAD

Altitude [mètres au-dessus du niveau de la mer]	0 - 1500	1501 - 2500	2501 - 3500	3501 - 4500
FAD [l/min]	FAD x 1	FAD x 0,8	FAD x 0,71	FAD x 0,60

Sortie FAD („Free Air Delivery“) soumise aux conditions :

Altitude :

0 Mètres au-dessus du niveau de la mer

Pression atmosphérique : 101 325 Pa

Température : 20 °C

Humidité relative : 0 %

### 7.2. Déclaration de compatibilité électromagnétique (CEM)

Le dispositif médical nécessite une précaution particulière concernant la compatibilité électromagnétique (CEM) et doivent être installés et mis en service conformément aux informations CEM fournies ci-dessous.


Directives et déclaration du fabricant - émissions électromagnétiques		
Conformément à IEC 60601-1-2:2014 - Appareils électromédicaux – Partie 1-2: Règles générales pour la sécurité de base et les performances essentielles – Norme collatérale: Perturbations électromagnétiques - Exigences et essais		
L'appareil est destiné à être utilisé dans l'environnement électromagnétique spécifié ci-dessous. Le client ou l'utilisateur de l'appareil doit s'assurer qu'il est utilisé dans un tel environnement.		
Test d'émissions	Conformité	Environnement électromagnétique - directives
Émissions RF CISPR 11	Groupe 1	L'appareil utilise l'énergie RF uniquement pour son fonctionnement interne. Par conséquent, les émissions RF sont très faibles et ne sont pas susceptibles de provoquer des interférences avec l'équipement électronique se trouvant à proximité.
Émissions RF CISPR 11	Classe B	L'appareil est adapté à une utilisation dans toutes les installations, y compris les installations résidentielles et celles directement raccordées au réseau public d'alimentation basse tension qui alimente les bâtiments utilisés à des fins résidentielles.
Émissions d'harmoniques CEI 61000-3-2	Classe A	
Variations de tension / émissions flicker CEI 61000-3-3	L'appareil ne devrait pas créer de flickers, étant donné que le débit du courant est à peu près constant après la mise en marche.	

<b>Directives et déclaration du fabricant - immunité électromagnétique</b>			
Conformément à IEC 60601-1-2:2014 - Appareils électromédicaux – Partie 1-2: Règles générales pour la sécurité de base et les performances essentielles – Norme collatérale: Perturbations électromagnétiques - Exigences et essais			
L'appareil est destiné à être utilisé dans l'environnement électromagnétique spécifié ci-dessous. Le client ou l'utilisateur de l'appareil doit s'assurer qu'il est utilisé dans un tel environnement.			
<b>Test d'immunité</b>	<b>Niveau de test CEI 60601-1-2</b>	<b>Niveau de conformité</b>	<b>Environnement électromagnétique - directives</b>
Décharge électrostatique (ESD) CEI 61000-4-2	± 8 kV contact ± 15 kV air	± 8 kV contact ± 15 kV air	Les sols doivent être en bois, béton ou carreaux de céramique. Si les sols sont recouverts d'un matériau synthétique, l'humidité relative doit être supérieure ou égale à 30 %.
Transitoires électriques rapides / en salves CEI 61000-4-4	± 2 kV pour les lignes d'alimentation ± 1 kV pour les lignes d'entrée / sortie	± 2 kV Fréquence de répétition de 100 kHz Appliqué au raccordement au réseau électrique	La qualité de l'alimentation doit être celle d'un environnement commercial ou hospitalier typique.
Surtension CEI 61000-4-5	±1 kV mode différentiel ±2 kV mode commun	±1 kV L-N ±2 kV L-PE; N-PE Appliqué au raccordement au réseau électrique	La qualité de l'alimentation doit être celle d'un environnement commercial ou hospitalier typique.
Creux de tension, courte interruption, et variations de tension sur les lignes d'entrée d'alimentation électrique CEI 60601-4-11	$U_T=0\%$ , 0,5 cycle (à 0, 45, 90, 135, 180, 225, 270 et 315°) $U_T=0\%$ , 1 cycle $U_T=70\%$ 25/30 cycles (à 0°) $U_T=0\%$ , 250/300 cycles	$U_T=>95\%$ , 0,5 cycle (à 0, 45, 90, 135, 180, 225, 270 et 315°) $U_T=>95\%$ , 1 cycle $U_T=70\%$ (30% baisse $U_T$ ), 25(50Hz)/30(60Hz) cycles (à 0°) $U_T=>95\%$ , 250(50Hz)/300(60Hz) cycle	La qualité de l'alimentation doit être celle d'un environnement commercial ou hospitalier typique. L'appareil s'arrête et redémarre automatiquement après chaque baisse. Ainsi, aucune chute de pression intolérable ne se produit.
Fréquence d'alimentation (50/60 Hz) CEI 61000-4-8	30 A/m	30 A/m	Les champs magnétiques de la fréquence d'alimentation doivent être à des niveaux caractéristiques d'un emplacement typique dans un environnement commercial ou hospitalier typique.
Remarque : $U_T$ est la tension d'alimentation avant l'application du niveau de test.			

## Directives et déclaration du fabricant - immunité électromagnétique

Conformément à IEC 60601-1-2:2014 - Appareils électromédicaux – Partie 1-2: Règles générales pour la sécurité de base et les performances essentielles – Norme collatérale: Perturbations électromagnétiques - Exigences et essais

L'appareil est destiné à être utilisé dans l'environnement électromagnétique spécifié ci-dessous. Le client ou l'utilisateur de l'appareil doit s'assurer qu'il est utilisé dans un tel environnement.

Test d'immunité	Niveau de test CEI 60601-1-2	Niveau de conformité	Environnement électromagnétique - directives
RF par conduction CEI 61000-4-6	3 Vrms 150 kHz à 80MHz	3 Vrms	Les appareils de communication RF portables et mobiles ne doivent pas être utilisés à une distance inférieure à la distance de séparation recommandée, calculée à partir de l'équation applicable à la fréquence de l'émetteur, de n'importe quelle partie de l'appareil, y compris les câbles.  <b>Distance de séparation recommandée</b>  $d=1,2\sqrt{P}$  $d=1,2\sqrt{P}$ , 80 MHz à 800 MHz  $d=2,3\sqrt{P}$ , 800 MHz à 2,7 GHz
RF par rayonnement CEI 61000-4-3	3 V/m 80 MHz à 2,7 GHz	3 V/m	où P est la puissance maximale de sortie de l'émetteur en watts (W) selon le fabricant de l'émetteur et d est la distance de séparation recommandée en mètres (m).
Champs de proximité des appareils de communication sans fil RF CEI 61000-4-3	9 à 28 V / m 15 fréquences spécifiques (380 à 5800 MHz)	9 à 28 V / m 15 fréquences spécifiques (380 à 5800 MHz)	Les intensités de champ des émetteurs RF fixes, telles que déterminées par une étude électromagnétique du site <sup>a</sup> doivent être inférieures au niveau de conformité dans chaque plage de fréquences. <sup>b</sup> Des interférences peuvent se produire à proximité des équipements portant le symbole suivant :  

REMARQUE 1 : à 80 MHz et 800 MHz, la plage de fréquence la plus élevée s'applique.

REMARQUE 2 : ces directives peuvent ne pas s'appliquer dans toutes les situations. La propagation électromagnétique est affectée par l'absorption et la réflexion des structures, objets et personnes.

<sup>a</sup> Les intensités de champ des émetteurs fixes, tels que les stations de base pour téléphones radio (cellulaires / sans fil) et des radios mobiles terrestres, radios amateurs, diffusion radio AM et FM et diffusion télévisée ne peuvent pas être prédites théoriquement avec précision. Pour évaluer l'environnement électromagnétique dû à des émetteurs RF fixes, une étude électromagnétique du site doit être envisagée. Si l'intensité de champ mesurée sur le lieu où l'appareil utilisé dépasse le niveau de conformité RF applicable ci-dessus, l'appareil doit être observé pour vérifier le fonctionnement normal. Si des anomalies sont observées, des mesures supplémentaires peuvent être nécessaires, telles que la réorientation ou le déplacement de l'appareil.

<sup>b</sup> Sur la plage de fréquence de 150 kHz à 80 kHz, les intensités de champ doivent être inférieures à 3 V/m.



## DUO, DUO 2V, DUO 2

### 8. DESCRIPTION DU PRODUIT

#### 8.1. Variantes

Les modèles de compresseur sont conçus dans les variantes suivantes :

<b>DUO</b>	Ce modèle est utilisé pour les modèles d'ensembles dentaires équipés de bloc d'aspiration et conçus pour être installés directement dans le cabinet
<b>DUO 2</b>	Des modèles conçus pour être utilisés avec des ensembles d'équipement dentaire équipés d'un bloc d'aspiration. Ils sont conçus pour alimenter deux ensembles d'équipement dentaire, c'est à dire deux postes de travail
<b>DUO 2V</b>	Des modèles conçus pour être utilisés avec des ensembles d'équipement dentaire équipés d'un bloc d'aspiration. Ils sont conçus pour alimenter les ensembles qui consomment de plus grandes quantités d'air comprimé
<b>DUO/M</b>	Identique au modèle DUO, mais équipé d'un sécheur à membrane
<b>DUO 2V/M</b>	Identique au modèle DUO 2V, mais équipé d'un sécheur à membrane
<b>DUO 2/M</b>	Identique au modèle DUO 2, mais équipé d'un sécheur à membrane



**DUO**



**DUO 2V**



**DUO 2**

#### 8.2. Accessoires

Les accessoires non inclus dans la commande standard doivent être commandés séparément !

##### 8.2.1. Purge automatique de condensat

La purge automatique des condensats (AOK) purge automatiquement les condensats du réservoir d'air du compresseur selon un intervalle de temps prédéfini. La purge de condensat (AOK) est un accessoire indiqué pour les modèles de compresseurs sans sécheurs.

Modèle	Utilisation	No d'article du kit
AOK 11	DK50 PLUS DK50 2V	447000001-047

### 8.2.1. Régulateur de pression

Les compresseurs peuvent être équipés d'un régulateur de pression sur la sortie d'air comprimé, si cela est spécifié. Le régulateur permet de maintenir une pression de sortie constante. Les ensembles de régulateur sont des accessoires appropriés pour les compresseurs spécifiés ci-dessus.

Modèle	Utilisation	No d'article du kit
REG11	DK50 PLUS, DK50 PLUS/M DK50 2V, DK50 2V/M	447000001-077

### 8.2.2. Ensemble de filtres

Les compresseurs peuvent être équipés d'un ensemble de filtres sur la sortie d'air comprimé, si spécifié. L'ensemble de filtres peut être équipé d'un régulateur de pression. Les ensembles de filtres sont des accessoires appropriés pour les compresseurs spécifiés ci-dessus.

REMARQUE : Si un niveau plus élevé de filtration d'air est nécessaire, cette spécification doit être convenue avec le fournisseur et clairement mentionnée lors de la commande.

Modèle	Utilisation	Niveau de filtration / $\mu\text{m}$ /	Régulateur de pression	No d'article du kit
FS 30FR	DK50 PLUS DK50 2V	5	oui	447000001-079
FS 30M		5 + 0,3	non	447000001-080
FS 30MR		5 + 0,3	oui	447000001-081
FS 30S		5 + 0,3 + 0,01	non	447000001-082
FS 30SR		5 + 0,3 + 0,01	oui	447000001-083
FS 31S	DK50 PLUS/M DK50 2V/M	0,3 + 0,01	non	447000001-086
FS 31SR		0,3 + 0,01	oui	447000001-087
FS 31SR2		0,01	oui	447000001-130

### 8.2.3. Unité de condensation et de filtration

Le compresseur peut être en plus équipé d'une unité de condensation et de filtration (KJF-1, KJF-2 ou KJFR-1). Le KJF-1, KJF-2 ou KJFR-1 garantit que l'air comprimé du réservoir d'air est refroidi dans le refroidisseur et le condensat est récupéré dans le filtre et séparé automatiquement du système de distribution pneumatique. L'air comprimé est filtré au même moment.

Modèle	Utilisation	Niveau de filtration / $\mu\text{m}$ /	Régulateur de pression	No d'article du kit
KJF-1	DK50 PLUS	5	non	450001011-001
KJFR-1			oui	450001011-002
KJF-2	DK50 2V		non	450001021-001

### 8.2.4. Amortisseur de bruit

L'amortisseur de bruit, avec ou sans filtre, amortit le bruit de « sifflement » provoqué par la roue de la pompe d'aspiration. La réduction totale du bruit pendant le fonctionnement de l'unité d'aspiration s'élève à 4 dB.

- Amortisseur de bruit avec un filtre - un filtre bactériologique est fourni, le rendant ainsi approprié aux installations dans les bureaux.
- Amortisseur de bruit mural - spécialement conçu pour être fixé à un mur.
- Amortisseur de bruit mural avec filtre - spécialement conçu pour être fixé à un mur et équipé d'un filtre bactériologique.

Modèle	Variante	Utilisation	No d'article du kit
DS2	montage mural, sans filtre bactériologique	DUO, DUO 2V, DUO2	451000Z01-004
DS2	montage mural, avec filtre bactériologique		451000Z01-005
DS4	avec filtre bactériologique	DUO,DUO 2V	451000Z01-006
DS5	avec filtre bactériologique	DUO2	451000Z01-007
DS6	sans filtre bactériologique	DUO,DUO 2V	451000Z01-008
DS7	sans filtre bactériologique	DUO2	451000Z01-009

### 8.2.5. Prise de liaison équipotentielle

La prise permet une liaison équipotentielle. (Fig. 10)

Modèle	Utilisation	Nom	No d'article
POAG-KBT6-EC	DUO, DUO 2V, DUO2	Connecteur de prise secteur	033400075-000
FLEXI-S/POAG-HK6		Conducteur (1 m)	034110083-000

## 9. FONCTIONNALITÉ DU PRODUIT

### Compresseur équipé d'aspirateur (Fig. 1)

L'agrégat du compresseur (1) aspire l'air atmosphérique à travers le filtre d'entrée (8) et le comprime via le clapet anti-retour (3) vers un réservoir d'air (2) à partir duquel l'appareil aspire l'air comprimé. Si la pression dans le réservoir d'air baisse à la pression de commutation, le pressostat (4) allume le compresseur et le compresseur fournit de l'air comprimé au réservoir d'air jusqu'à ce qu'il atteigne la pression de coupure, lorsque le compresseur s'éteint. Le tuyau de pression est évacué à travers l'électrovanne de décharge (13) une fois que l'agrégat du compresseur s'éteint. La soupape de sûreté (5) empêche la montée de la pression à l'intérieur du réservoir d'air au-delà de la valeur maximale permise. La soupape de vidange (7) évacue le condensat du réservoir d'air. L'air comprimé, filtré, propre et exempt d'huile est stocké dans le réservoir d'air et prêt à l'emploi. Le condensat doit être évacué du réservoir d'air à intervalles réguliers (voir chapitre 19.1).

L'agrégat d'aspiration (36) (deux agrégats sur le DUO2) aspire l'air, créant ainsi un vide dans les conduites d'aspiration qui sont raccordées à l'appareil et constitue une source de vide pour l'élimination des substances étrangères dans l'espace de travail du médecin. Cet air est ensuite évacué par une conduite d'échappement et acheminé hors de la zone de travail de l'opérateur

### Compresseur équipé d'aspirateur et de sécheur à membrane. (Fig. 2)

L'agrégat du compresseur (1) aspire l'air à travers un filtre d'entrée (8), le comprime et l'envoie au refroidisseur (14) à travers le filtre (15) et le clapet antiretour (3) dans le sécheur (9), puis envoie l'air propre et sec dans le réservoir d'air (2). Une partie de l'air est libérée du sécheur avec l'humidité saisie, ce qui se manifeste comme un courant d'air doux le long du corps du sécheur (9). Le condensat du filtre est automatiquement évacué à intervalles réguliers dans le collecteur via l'électrovanne de décharge de condensat (16). Le sécheur assure le séchage continu de l'air comprimé. La soupape de vidange (7) évacue le condensat du réservoir d'air lors du contrôle de la performance de séchage. L'air comprimé, filtré, propre et exempt d'huile est stocké dans le réservoir d'air et prêt à l'emploi.

Pour assurer un fonctionnement normal du sécheur à membrane, le sécheur est raccordé directement au réservoir d'air sans l'utilisation d'un clapet anti-retour. Une petite quantité d'air (environ 0,5 bar/30 min) s'échappe à travers les fibres de membrane sélectives présentes dans le sécheur à membrane.

C'est pourquoi la pression diminue progressivement et lentement, même en l'absence de demande d'air comprimé (du réservoir d'air) ; cependant, il ne s'agit pas d'un dysfonctionnement.

Les récipients sous pression ne nécessitent pas de vidange.

L'agrégat d'aspiration (36) (deux agrégats sur le DUO2) aspire l'air, créant ainsi un vide dans les conduites d'aspiration qui sont raccordées à l'appareil et constitue une source de vide pour l'élimination des substances étrangères dans l'espace de travail du médecin. Cet air est ensuite évacué par une conduite d'échappement et acheminé hors de la zone de travail de l'opérateur

### Armoire du compresseur (Fig. 3)

L'armoire insonorisée assure le capotage compact du compresseur et la circulation suffisante de l'air de refroidissement. Grâce à son design, elle peut prendre place dans le bureau d'un dentiste comme meuble. Le ventilateur sous l'agrégat d'un compresseur permet le refroidissement du compresseur et fonctionne en même temps qu'un moteur du compresseur. Après une utilisation prolongée, la température à l'intérieur de l'armoire peut monter au-delà de 40 °C, ce qui fait automatiquement démarrer le ventilateur de refroidissement. Après le refroidissement à environ 32 °C de l'armoire, le ventilateur s'arrête automatiquement. L'ouverture sur la droite de la porte de l'armoire peut être modifiée au profit de l'ouverture sur la gauche (voir Chapitre 12.2).



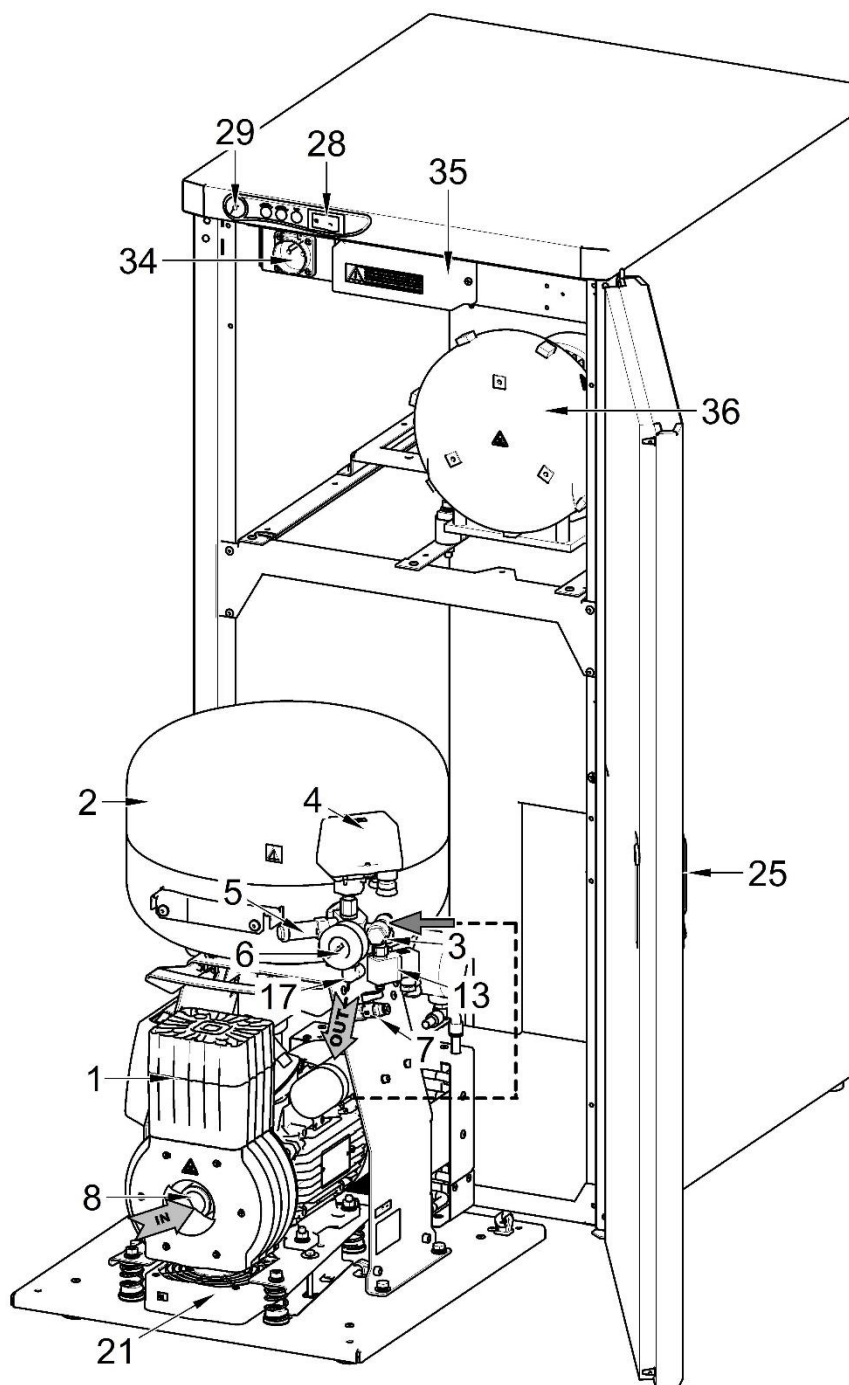
**Assurez-vous que rien n'entrave la libre circulation de l'air en dessous et autour du compresseur. Ne couvrez jamais la sortie d'air chaud située sur la partie supérieure arrière du boîtier.**



**En cas d'installation du compresseur sur un plancher mou, notamment un tapis, créez un espace vide entre la base et le plancher ou entre l'armoire et le plancher, par exemple en calant les pieds avec des supports durs.**

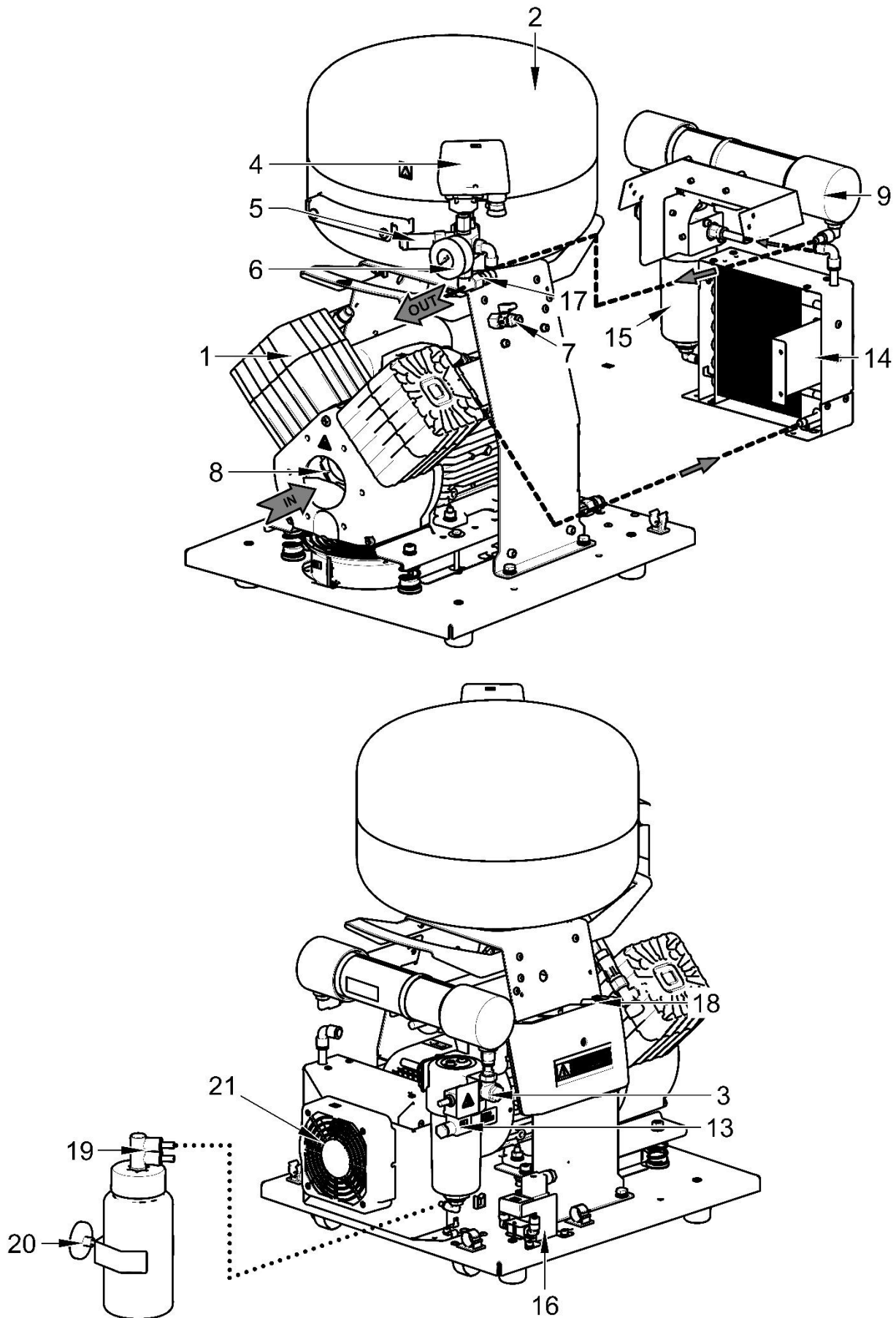
Fig.1 - DUO - Compresseur équipé d'aspirateur

Description des figures 1 à 3



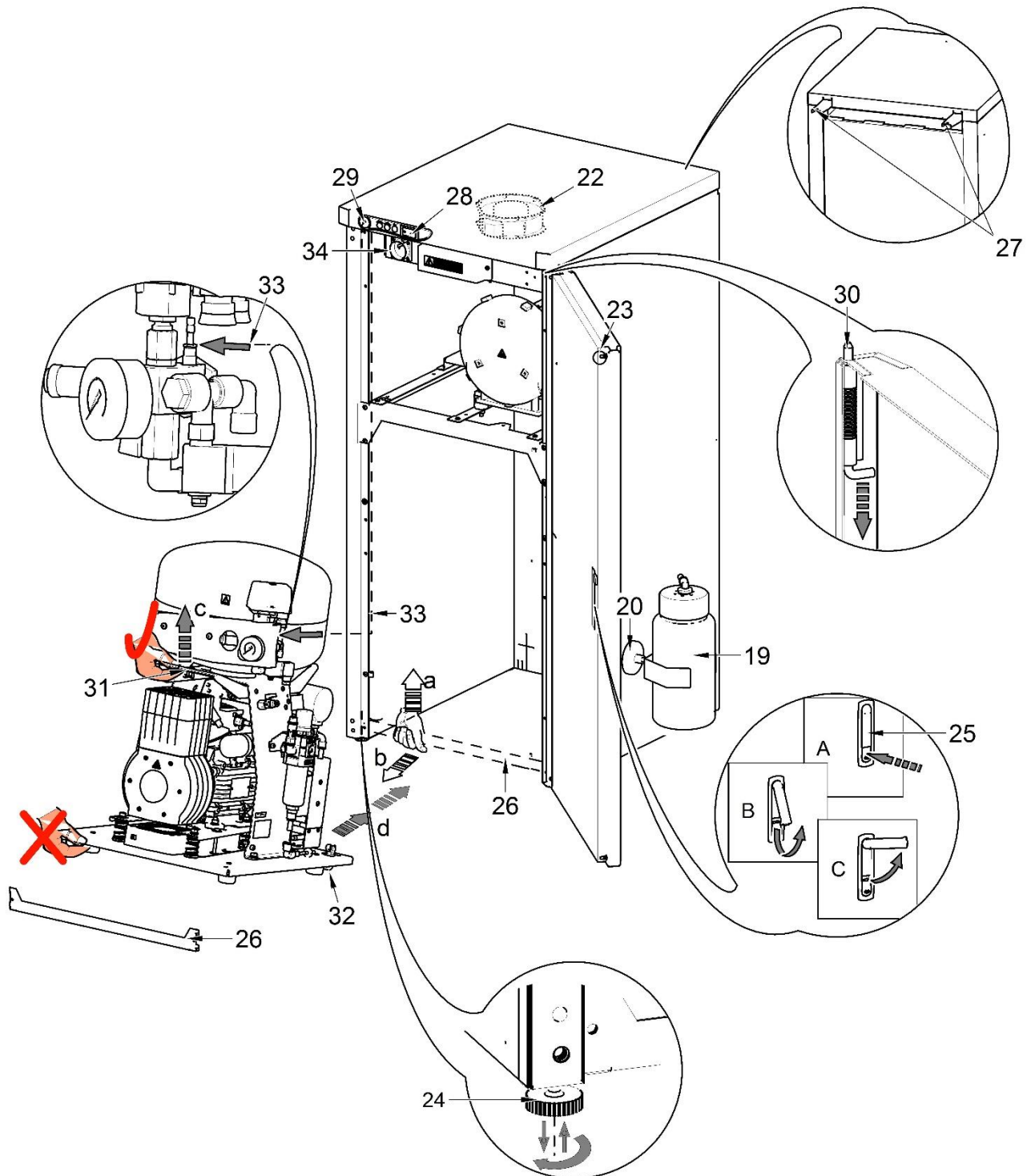
1. Agrégat du compresseur
2. Réservoir d'air
3. Clapet anti-retour
4. Pressostat
5. Soupape de sûreté
6. Manomètre
7. Soupape de vidange
8. Filtre d'entrée
9. Sécheur
10. -
11. -
12. -
13. Électrovanne
14. Sécheur-refroidisseur
15. Filtre
16. Électrovanne de purge du condensat
17. Prise d'air comprimé
18. Commutateur du disjoncteur
19. Cuve
20. Support magnétique
21. Ventilateur
22. Ventilateur de l'armoire
23. Broche de porte
24. Vis de redressement
25. Serrure
26. Console de support
27. Butée murale
28. Commutateur
29. Manomètre
30. Charnière de porte
31. Poignée
32. Roulettes
33. Tuyau du manomètre de pression
34. Prise
35. Bloc de commutation de l'unité d'aspiration
36. Unité d'aspiration

Fig.2 - DK50 2V/M - Compresseur équipé de sécheur à membrane.



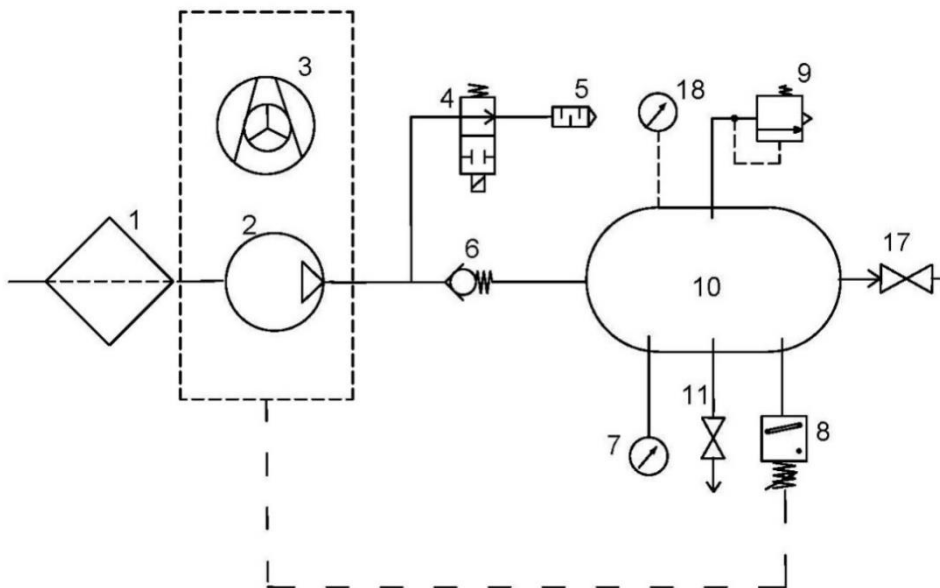
## DUO, DUO 2V, DUO 2

Fig.3 - Armoire DUO

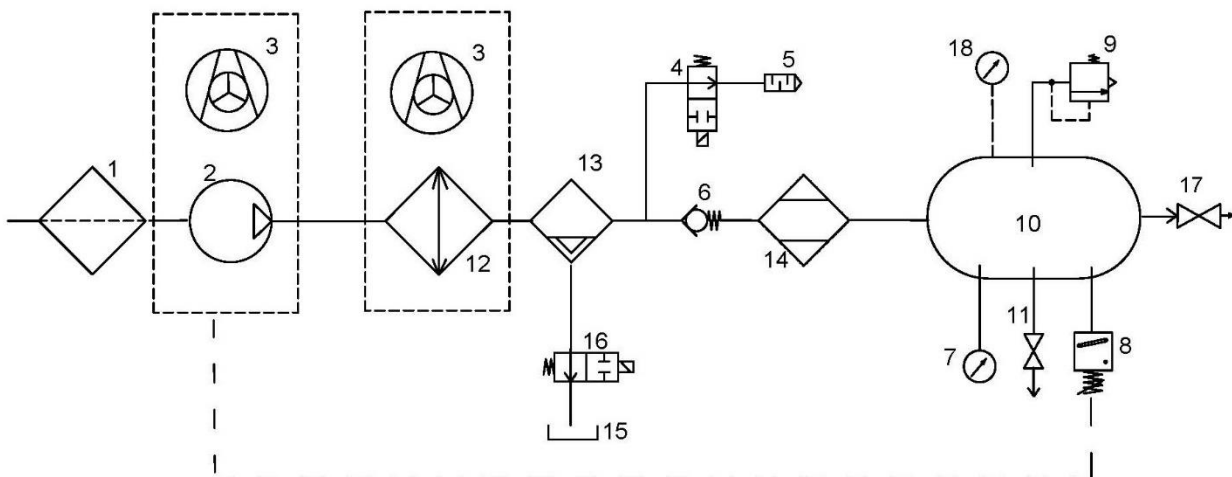


## 10. SCHÉMA PNEUMATIQUE

## DK50 PLUS, DK50 2V



## DK50 PLUS/M, DK50 2V/M



## Légende des schémas d'air comprimé

- |                         |                                        |
|-------------------------|----------------------------------------|
| 1. Filtre d'entrée      | 10. Réservoir d'air                    |
| 2. Compresseur          | 11. Soupape de vidange                 |
| 3. Ventilateur          | 12. Refroidisseur                      |
| 4. Soupape de décharge  | 13. Filtre coalescent                  |
| 5. Amortisseur de bruit | 14. Sécheur à membrane                 |
| 6. Clapet anti-retour   | 15. Cuve de collecte de condensat      |
| 7. Manomètre            | 16. Électrovanne de purge du condensat |
| 8. Pressostat           | 17. Valve d'échappement                |
| 9. Soupape de sûreté    | 18. Manomètre de l'armoire             |



## INSTALLATION

### 11. CONDITIONS D'EMPLOI

- L'appareil doit être installé et utilisé uniquement dans des environnements secs, bien ventilés et propres, avec des paramètres environnementaux conformes aux exigences spécifiées au chapitre 7, Caractéristiques techniques. Le compresseur doit être installé de sorte à être accessible en permanence pour être utilisé et entretenu. Veuillez vous assurer que l'étiquette sur l'appareil est facilement accessible.
- L'appareil doit être posé sur un support plat et suffisamment stable (attention au poids du compresseur, voir chapitre 7, Caractéristiques techniques).
- L'appareil ne doit pas être utilisé à l'extérieur ou dans des environnements humides. Évitez d'utiliser le compresseur en présence de gaz explosifs, de poussières ou de liquides inflammables.
- Avant de raccorder le compresseur aux installations médicales, le fournisseur doit vérifier sa conformité aux exigences relatives à son utilisation. Pour plus de détails sur ce sujet, merci de bien vouloir vous référer aux Caractéristiques techniques. La classification et l'attestation de conformité lors de l'assemblage doivent être confiées au fabricant ou au fournisseur du produit final.
- Toute autre utilisation en dehors de ce cadre n'est pas considérée comme une utilisation prévue. Le fabricant ne saurait être tenu responsable des dégâts découlant d'une telle utilisation. L'opérateur/l'utilisateur en assume la totalité des risques.



**Seul un professionnel qualifié peut installer le compresseur et le mettre en service pour la première fois. Ce professionnel est tenu de former le personnel à l'utilisation et à la maintenance de l'appareil. Sa signature apposée au document de remise de la machine vaut attestation de bonne installation et de formation du personnel.**



**Avant l'installation, assurez-vous d'enlever tous les emballages de transport et les stabilisateurs afin d'éviter d'endommager le produit.**



**Des éléments de l'agrégat et de l'unité d'aspiration peuvent chauffer et atteindre des températures dangereuses lors de l'utilisation du compresseur et tout contact avec ceux-ci peut poser un risque pour les opérateurs ou les matériaux. Risque de brûlure ou d'incendie ! Mise en garde ! Surface chaude !**

### Conditions d'utilisation ambiantes

*Température :* + 5 à + 40 °C

*Humidité relative maximale :* 70 %

*Humidité absolue maximale :* 15 g/m<sup>3</sup>.

## 12. POSITIONNEMENT DU COMPRESSEUR



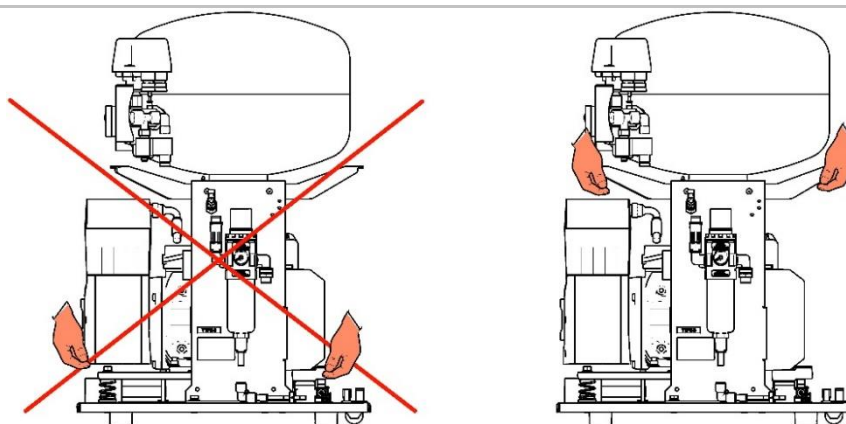
L'appareil doit uniquement être installé par un professionnel qualifié.

- Défaites l'emballage du compresseur.

### 12.1. Manipulation et libération du compresseur

- Positionnez le compresseur sur le site de fonctionnement choisi (Fig. 4)

Fig. 4

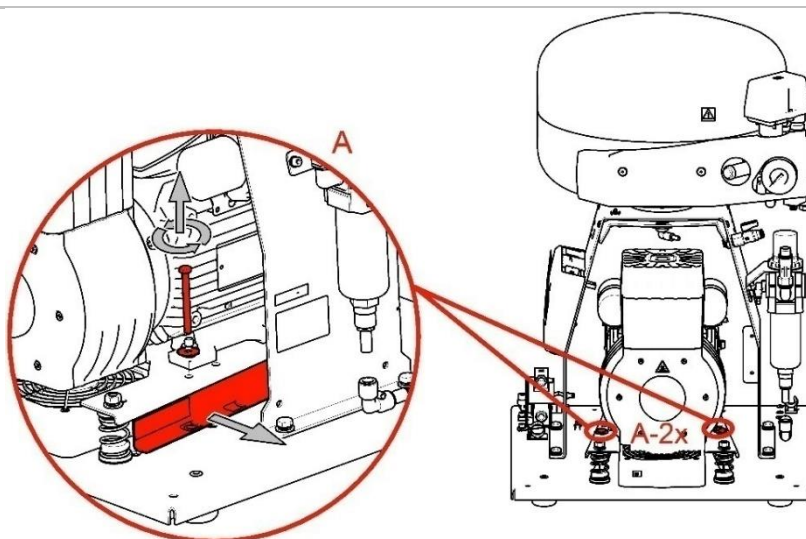


- Retirez les stabilisateurs de transport des agrégats. (Fig. 5)



Retirez tous les appareils utilisés pour fixer les agrégats du compresseur une fois que le compresseur a été installé et monté sur le dernier site d'installation !

Fig. 5

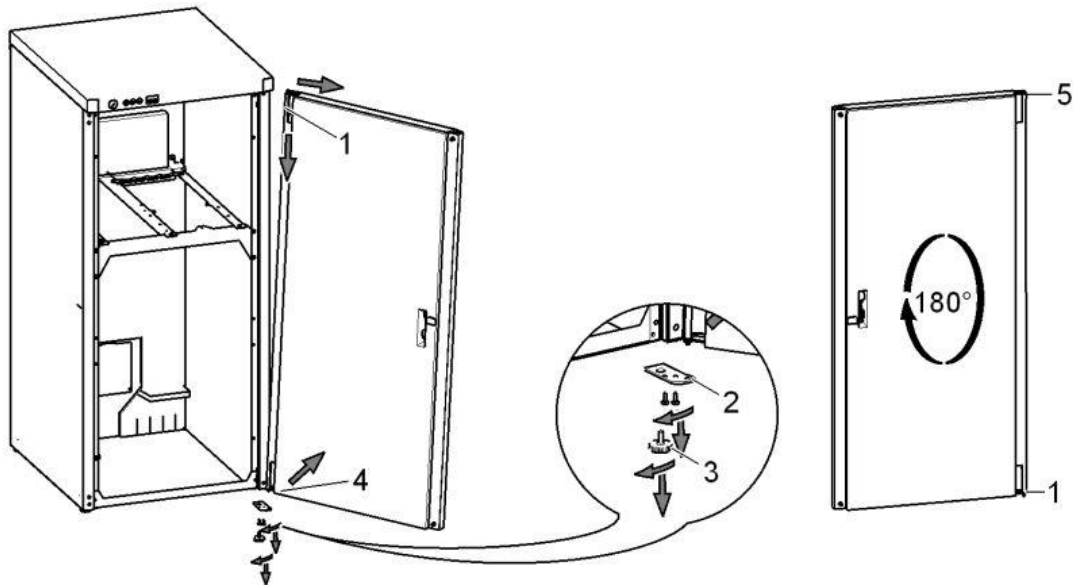


### 12.2. Modification du sens de la porte

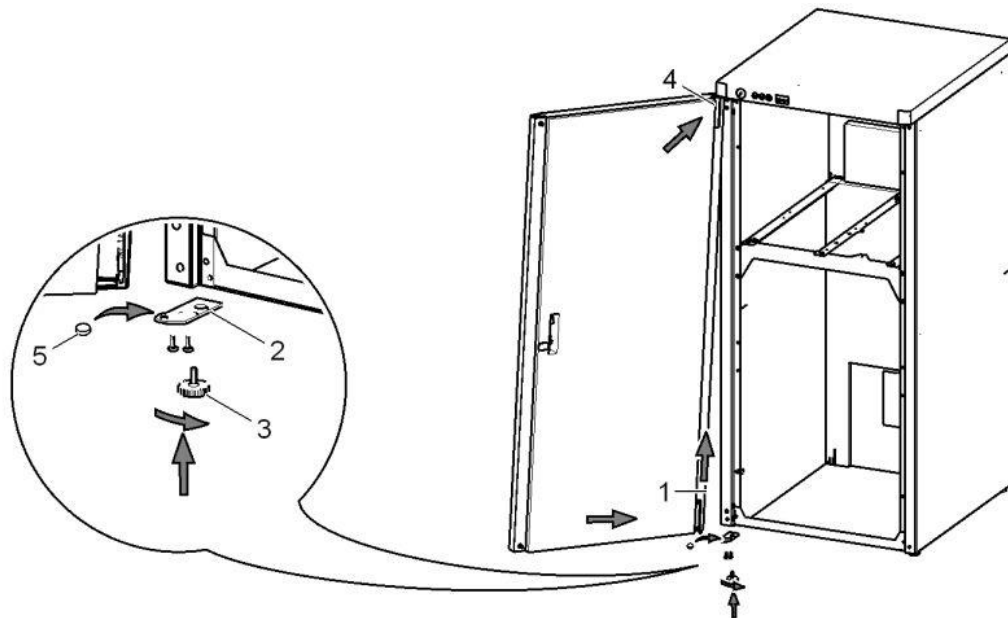
- Retirez la porte, la vis de redressement (3) et le support (2) de la charnière D (4).
- Installez le support de la charnière D (2) sur le côté gauche de l'armoire.
- Faites tourner la porte à 180°.
- Insérez l'entretoise (5) entre la charnière H (1) et le bas de la porte.
- Installez la porte.
- Retirez la serrure de porte (6) et faites tourner à 180°.
- Retirez le loquet (7) et faites tourner à 180°.
- Installez la serrure.

## DUO, DUO 2V, DUO 2

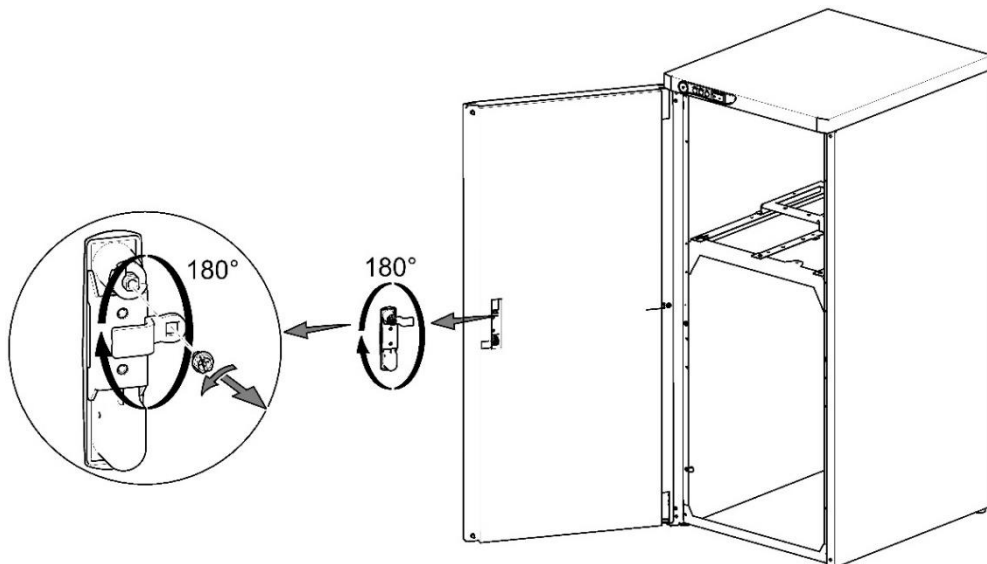
A



B



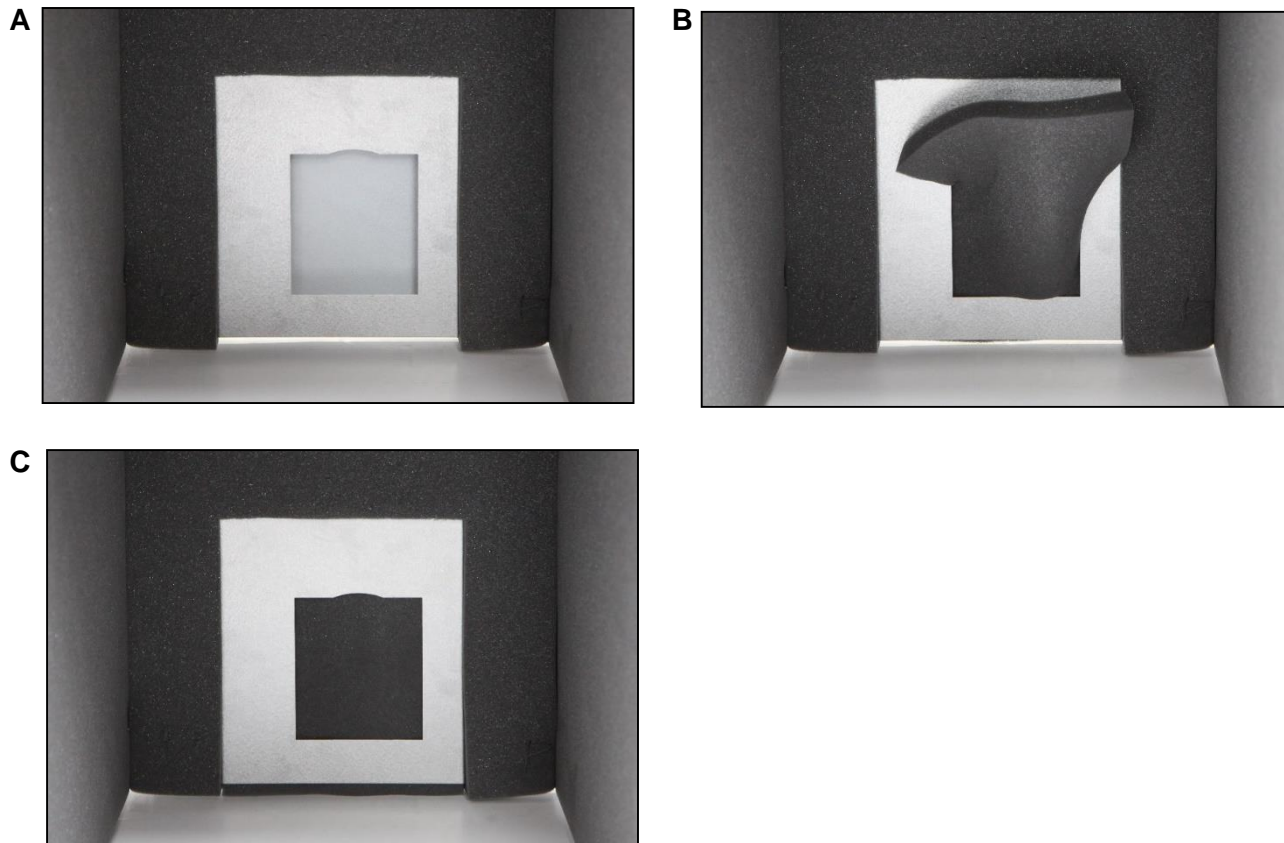
C



### 12.3. Ajout de matériau insonorisant dans l'armoire

Un composant en matériau insonorisant doit être installé dans l'ouverture du boîtier du compresseur non doté d'un sécheur.

Ce composant est fourni en même temps que les équipements de base, avec le produit.

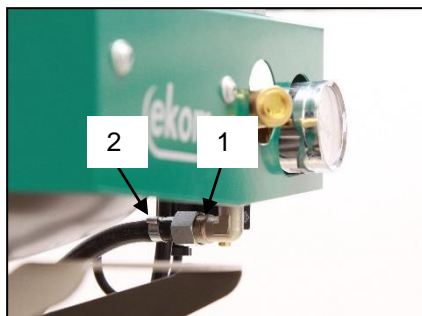


## 13. RACCORDS PNEUMATIQUES

### 13.1. Raccordement à la prise d'air comprimé(Fig. 6)

Le tuyau de pression (2) est raccordé à la sortie d'air comprimé (1) du compresseur.. Faites passer le tuyau jusqu'au collecteur d'air comprimé ou directement sur l'ensemble dentaire.

Fig. 6



Pour les compresseurs montés en armoire, faites passer le tuyau de pression à travers l'ouverture de la paroi arrière de l'armoire. (Fig.8)

### 13.2. Raccordement du manomètre de l'armoire au compresseur (Fig. 7)

Retirez le bouchon (1) du filetage (2) du bloc pneumatique du compresseur.. Raccordez le tuyau du manomètre de l'armoire au raccord fileté.

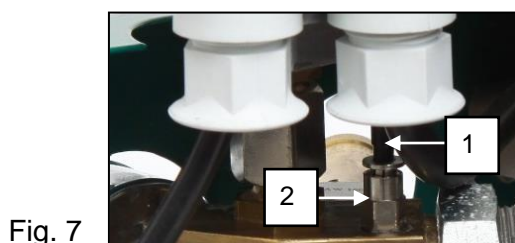
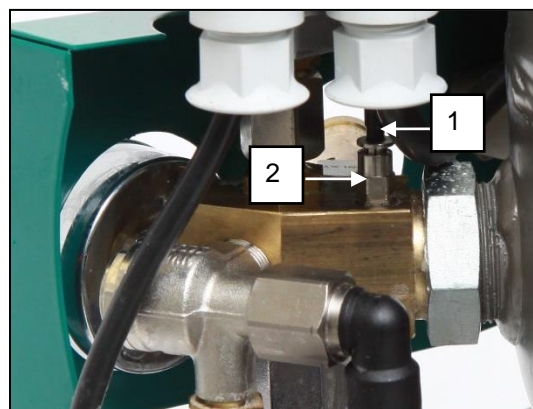


Fig. 7



### 13.3. Raccordement de la cuve pour condensat(Fig. 8)

- Pour les modèles de compresseurs avec sécheur, faites passer le tuyau (1) à travers l'ouverture de la paroi arrière de l'armoire et raccordez à la cuve.

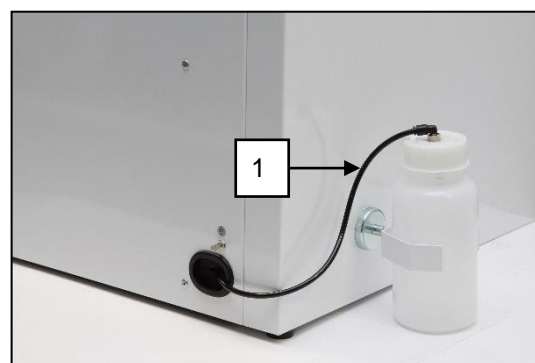


Fig. 8

### 13.4. Raccord d'aspiration

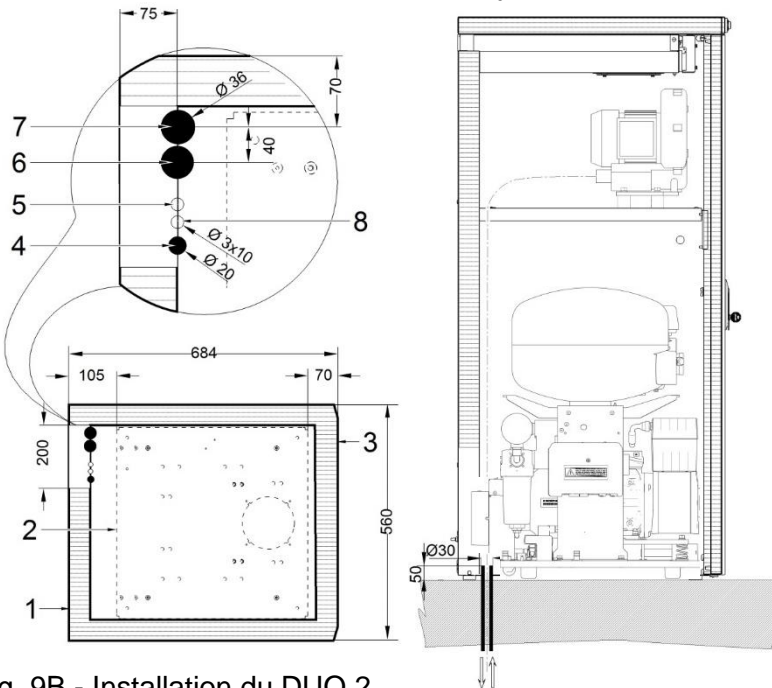
(Fig. 9)

L'agrégat d'aspiration est doté de tuyaux d'aspiration et d'évacuation. Les tuyaux raccordés à l'entrée/sortie depuis et vers l'agrégat d'aspiration sont acheminés le long de la façade arrière de l'armoire, en direction de sa partie inférieure. Les tuyaux de l'agrégat d'aspiration peuvent être raccordés à la tuyauterie dans le plancher ou acheminés à travers l'ouverture arrière de l'armoire (10). Raccordez le tuyau d'aspiration à l'appareil et le tuyau d'évacuation à la tuyauterie se dirigeant hors de la zone de travail de l'opérateur. Vous pouvez ajouter un amortisseur de bruit à l'unité d'aspiration pour réduire le niveau de bruit causé par le passage de l'air dans le tuyau (voir le chapitre 8.2. Accessoires). Il est nécessaire d'ajouter un amortisseur de bruit équipé d'un filtre bactériologique, si la sortie d'air de l'unité d'aspiration est raccordée à une zone en intérieur.



**Risque de contamination biologique. Le tuyau d'évacuation de la pompe d'aspiration doit être dirigé hors de la zone de travail de l'opérateur. Il est également possible d'ajouter un silencieux équipé d'un filtre bactériologique.**

Fig. 9A - Installation du DUO, DUO 2V (systèmes de distribution dans le plancher)



- 1 - Aperçu du boîtier
  - 2 - Aperçu de la base
  - 3 - Section avant - porte
  - 4 - Raccordement de l'air comprimé G3/8 po
  - 5 - Entrée de commande de l'unité d'aspiration 2 A x 0,75
  - 6 - Prise de l'unité d'aspiration
  - 7 - Évacuation de l'unité d'aspiration
  - 8 - Entrée d'alimentation électrique 230 V/50(60) Hz, 3 G x 1,5
  - 9 - Dispositif de purge du condensat pour le modèle avec sécheur
- toutes les dimensions sont exprimées en millimètres  
- distance à partir de la paroi arrière de l'appareil à l'obstacle ou au mur - pas moins de 100 mm

(Raccordé via l'ouverture à l'arrière de l'armoire)

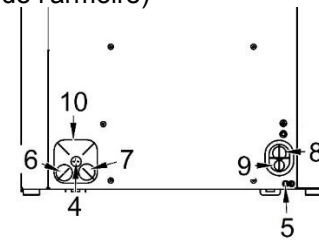
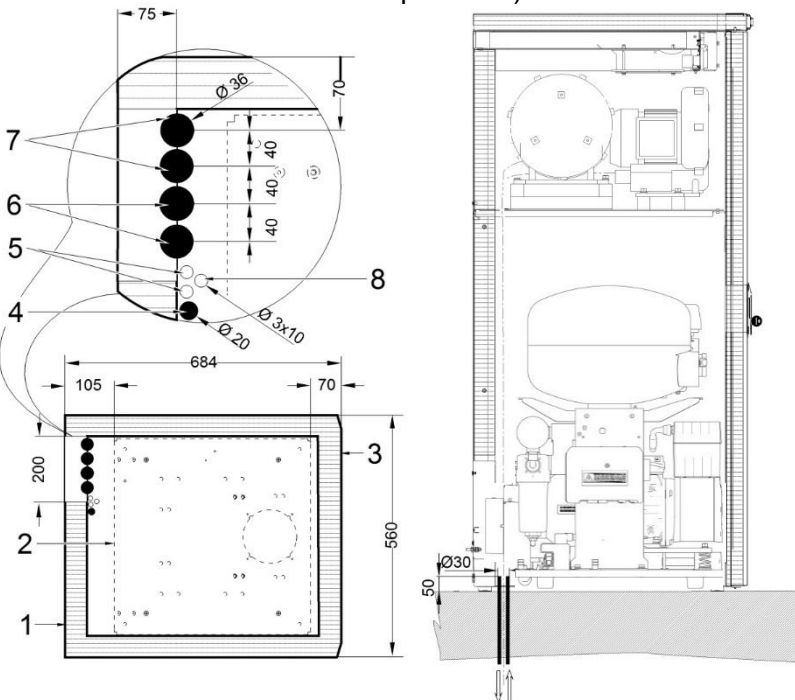


Fig. 9B - Installation du DUO 2 (systèmes de distribution dans le plancher)



- 1 - Schéma de l'armoire
  - 2 - Schéma de la base
  - 3 - Section avant - porte
  - 4 - Raccord d'air comprimé G3/8 po
  - 5 - Alimentation en tension de commande Pour l'unité d'aspiration 2A x 0,75
  - 6 - Admission + évacuation de la 1<sup>ère</sup> unité d'aspiration
  - 7 - Admission + évacuation de la 2<sup>de</sup> unité d'aspiration (DUO 2)
  - 8 - Alimentation électrique 230 V/50(60) Hz 3G x 1,5
- toutes les dimensions sont exprimées en millimètres  
- Distance minimum au mur de 100 mm

## 14. BRANCHEMENTS ÉLECTRIQUES

L'appareil est équipé d'une prise mise à la terre. Branchez la fiche secteur sur une prise secteur.



**Vérifiez la conformité de l'appareil aux codes électriques locaux. La fréquence et la tension du secteur doivent être conformes aux informations mentionnées sur l'étiquette de l'appareil.**

- Placez la prise à un endroit facilement accessible, de sorte à pouvoir débrancher l'appareil en toute sécurité en cas d'urgence.
- Le raccordement à l'armoire de distribution électrique ne doit pas dépasser 16 A.
- Raccordez la broche de liaison équipotentielle de  $\varnothing$  6 mm (1) au circuit électrique conformément à la méthode définie dans les règles électrotechniques en vigueur. La prise de liaison équipotentielle (2) est un accessoire et n'est pas fournie dans l'emballage de base. (Fig. 10)

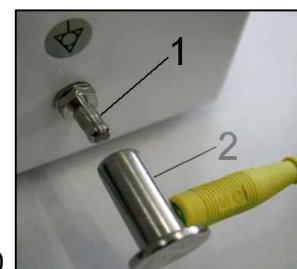


Fig. 10



**Assurez-vous que le câble électrique ne touche pas les composants chauds du compresseur. Risque de décharge électrique !**



**Si un cordon électrique ou un tuyau d'air est endommagé, il doit être remplacé immédiatement.**

Acheminez le cordon d'alimentation à travers l'ouverture arrière de l'armoire ou raccordez-le à la sortie du plancher (Fig. 8, 9).

### 14.1. Connecteur de commande de l'unité d'aspiration

(Fig. 11)

Acheminez le câble de commande de l'unité d'aspiration (24 V CA/CC) (12) à travers l'ouverture de la paroi arrière de l'armoire (1) ou la tuyauterie dans le plancher (11), et fixez à l'aide des pinces (2) situées sur le panneau gauche de l'armoire du fond et à travers la cavité (3) située sur la face avant de l'armoire. Déplacez l'isolation acoustique (4) des angles de l'armoire avant d'introduire le cordon dans les pinces. Retirez le couvercle de la conduite du circuit électrique (5) et le couvercle du panneau électrique (6). Raccordez le câble de commande de l'unité d'aspiration à la carte de circuit imprimé tel qu'illustré sur le schéma électrique. Insérez-le dans l'orifice (3) situé à l'avant de l'armoire, derrière l'isolation acoustique située sur le côté de l'armoire et dans le conduit électrique (7).



**Assurez-vous que le câble électrique ne touche pas les composants chauds du compresseur. Cela peut endommager l'isolation !**

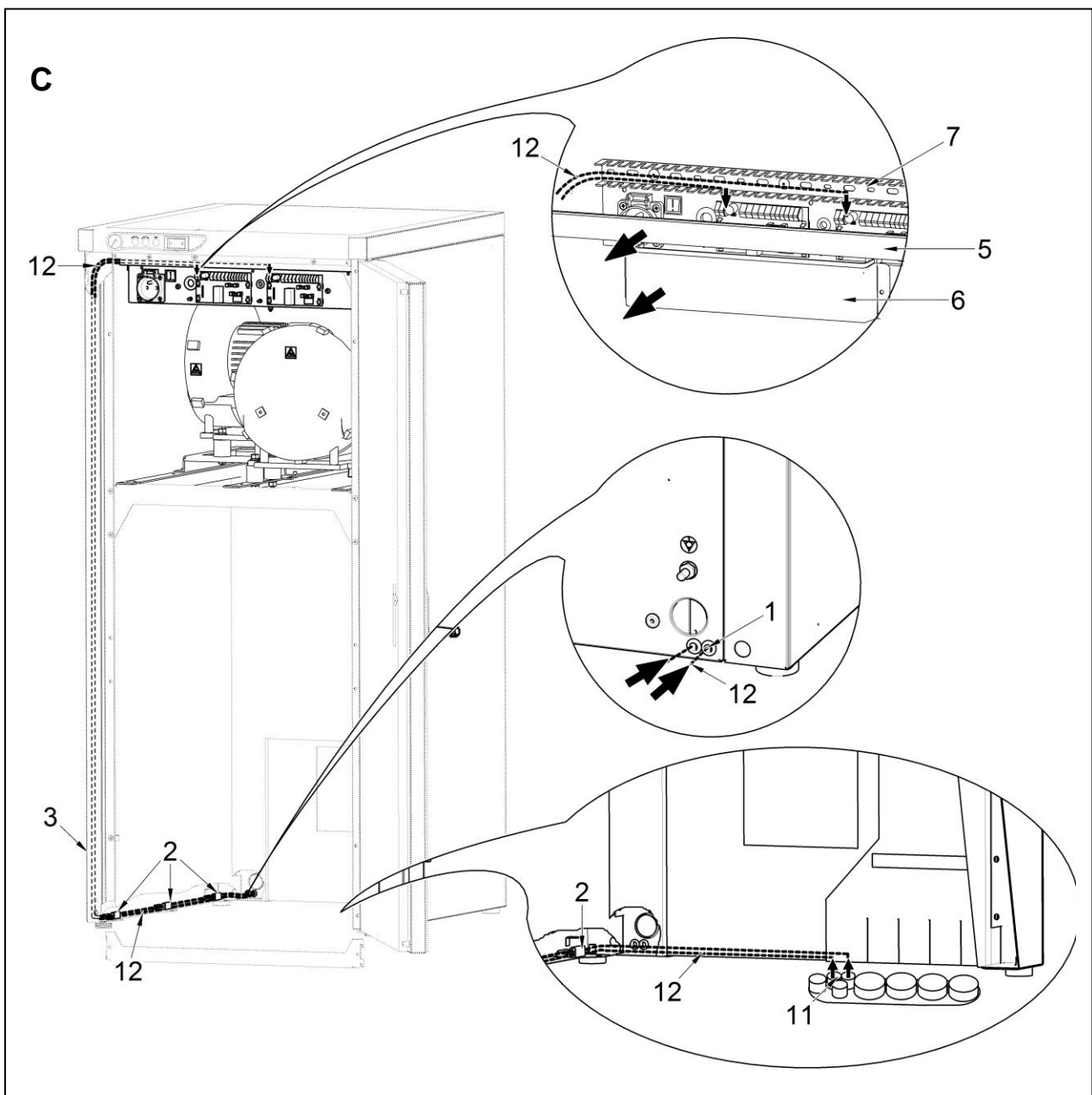
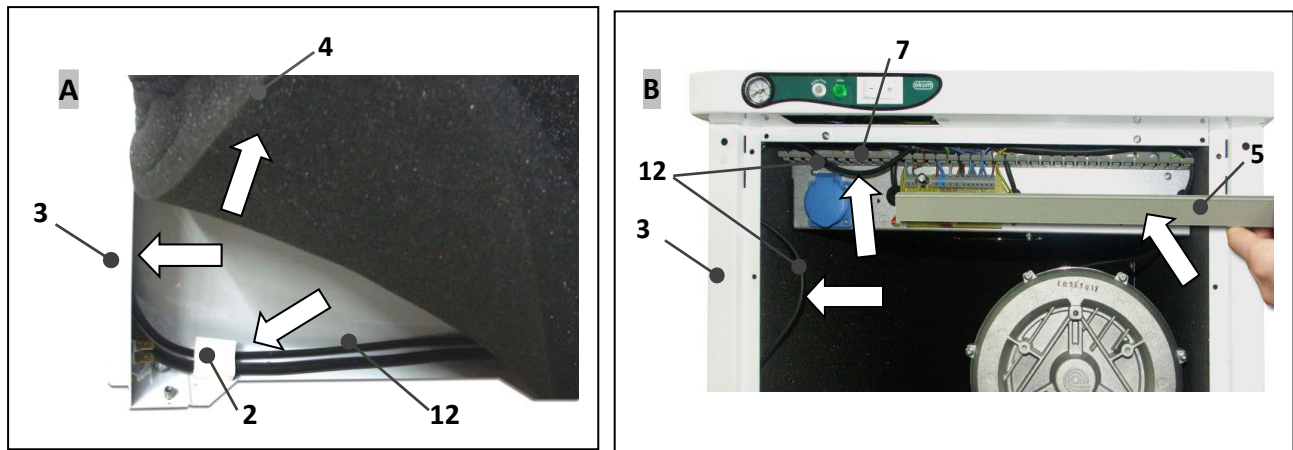


Fig.11



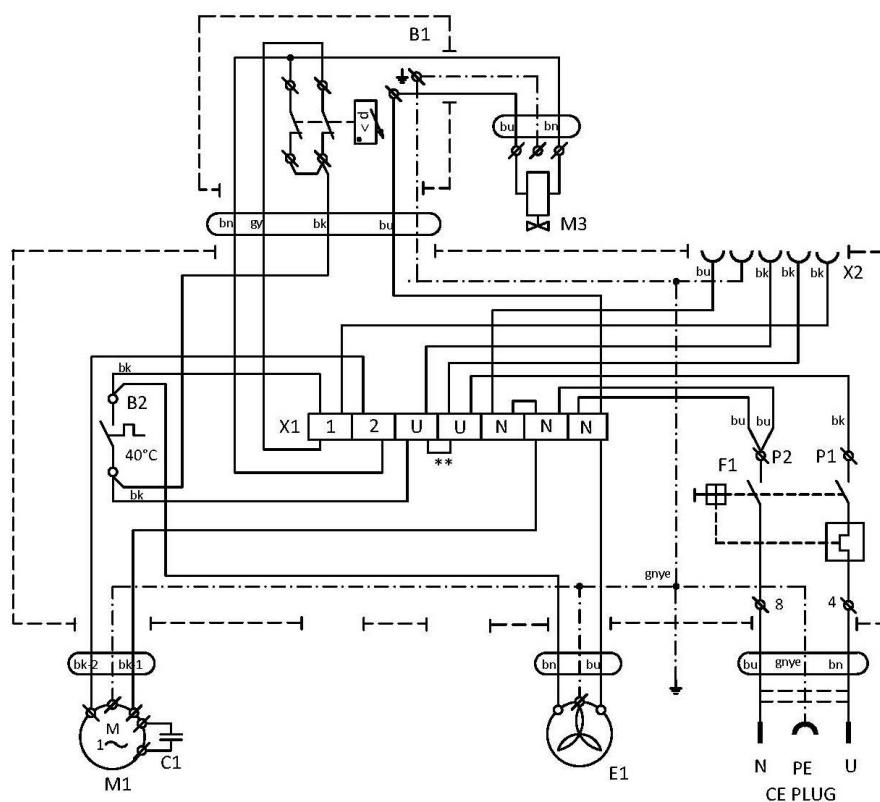
## 15. SCHÉMA DE RACCORDEMENT

DK50 PLUS, DK50 2V

5-7 bar, 6-8 bar

1/N/PE ~ 230V/50Hz, 230V/60Hz

OBJET ÉLECTRIQUE de 1ère CATÉGORIE

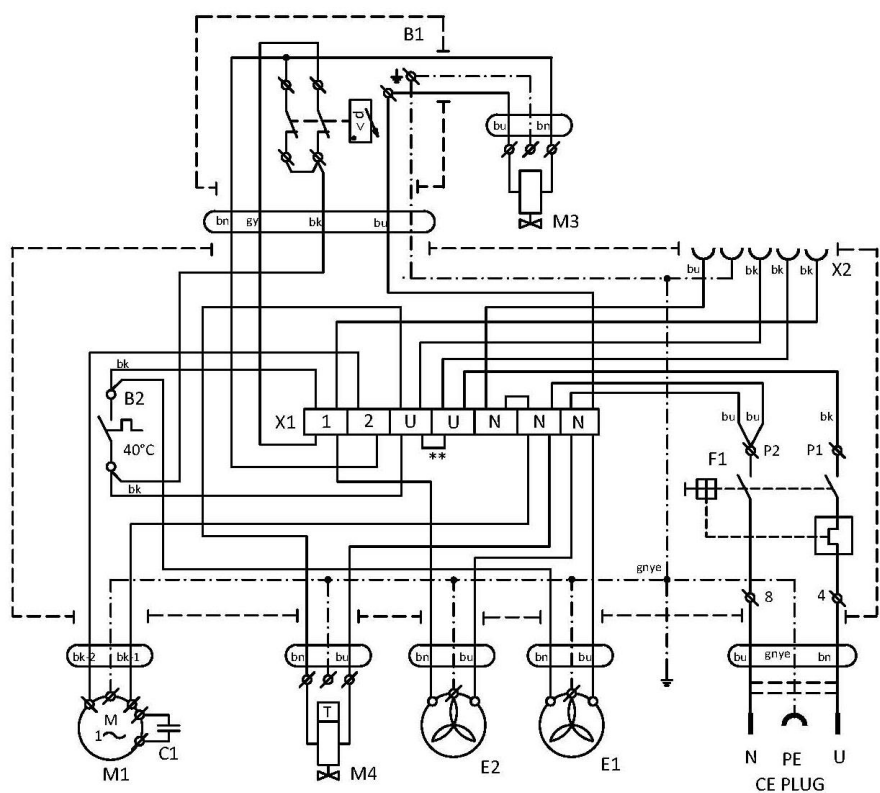


DK50 PLUS/M, DK50 2V/M

5-7 bar, 6-8 bar

1/N/PE ~ 230V/50Hz, 230V/60Hz

OBJET ÉLECTRIQUE de 1ère CATÉGORIE

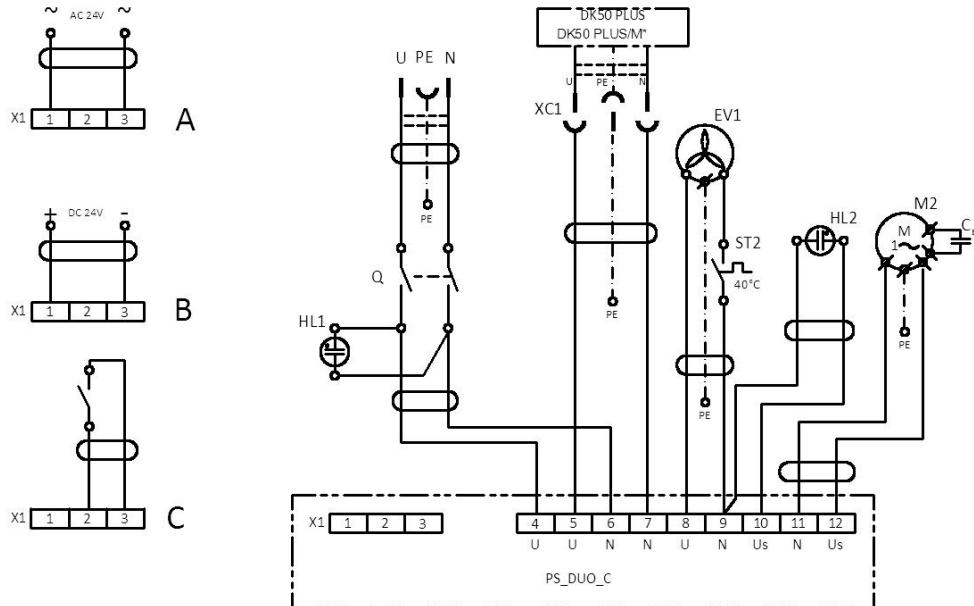


## Armoire Duo avec unité d'aspiration

## DUO

1/N/PE ~ 230V/50Hz, 230V/60Hz

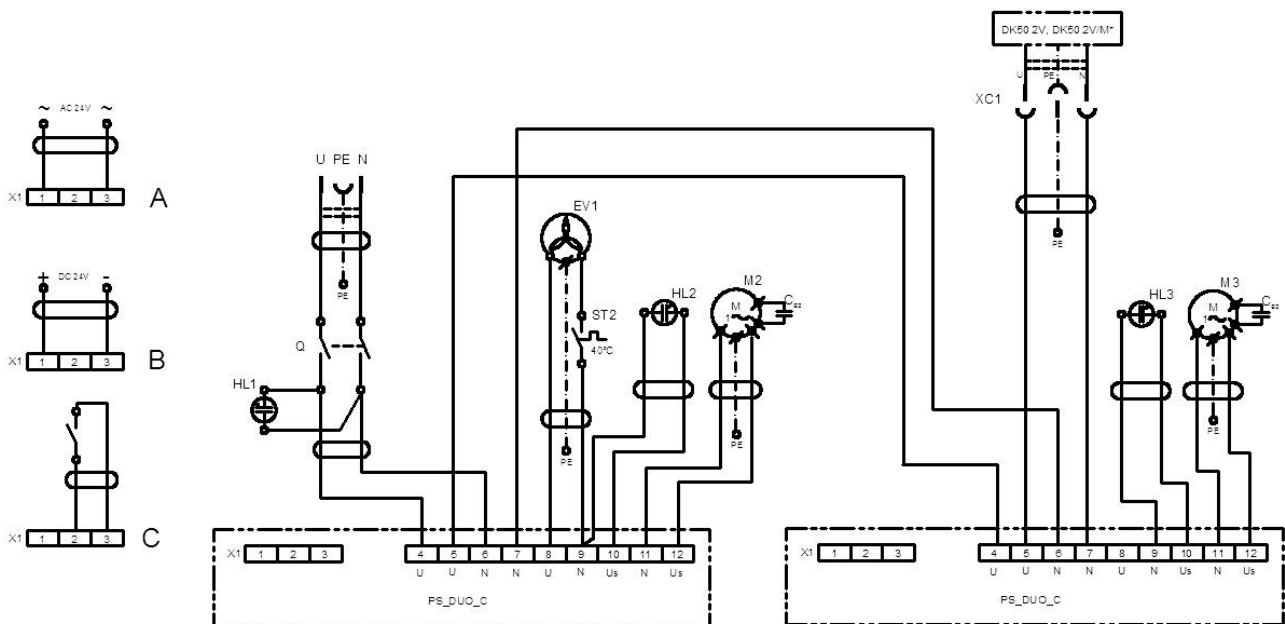
OBJET ÉLECTRIQUE de 1ère CATÉGORIE



## DUO2, DUO 2V

1/N/PE ~ 230V/50Hz, 230V/60Hz

OBJET ÉLECTRIQUE de 1ère CATÉGORIE



## Légende des schémas électriques

M1	Moteur du compresseur	X1	Boîte à bornes
E1	Ventilateur du compresseur	F1	Commutateur du disjoncteur
E2	Ventilateur du sécheur	M4	Soupape de vidange du condensat
M3	Soupape de décharge	XC1	Prise
B2	Commutateur de température	HL1, HL2	Indicateurs
EV1	Ventilateur de l'armoire	HL3	Indicateurs
X2	Raccord	M2, M3	Moteur de l'unité d'aspiration
C1, Cb	Condensateur	ST2	Commutateur de température
B1	Pressostat	Q	Commutateur

**FONCTIONNEMENT**

**LA COMMANDE DE L'APPAREIL NE PEUT ÊTRE CONFIEE QU'AU PERSONNEL DÛMENT FORMÉ!**



**EN CAS D'URGENCE, DÉBRANCHEZ LE COMPRESSEUR DU SECTEUR (DÉBRANCHEZ LA FICHE SECTEUR).**



**L'UNITÉ DU COMPRESSEUR COMPORTE DES SURFACES CHAUDES EN CAS DE CONTACT AVEC CES SURFACES, DES BRÛLURES OU UN INCENDIE PEUVENT SURVENIR.**



**En cas d'utilisation prolongée du compresseur et de l'unité d'aspiration, la température dans l'armoire peut dépasser 40 °C. Le ventilateur de refroidissement se met alors automatiquement en marche. Après avoir refroidi l'espace intérieur à moins de 32 °C, le ventilateur s'arrête.**



**Démarrage automatique : lorsque la pression dans le réservoir baisse et s'approche de la limite inférieure du pressostat, le compresseur se met automatiquement en marche. Le compresseur s'arrête automatiquement lorsque la pression dans le réservoir d'air atteint le niveau de pression d'arrêt.**



**Les réglages de la pression de travail du pressostat effectués par le fabricant ne peuvent pas être modifiés. L'utilisation du compresseur à une pression de service inférieure au niveau de pression de mise en marche indique une consommation d'air élevée (voir chapitre DÉPANNAGE - Dysfonctionnements)**



**Pour obtenir des performances de séchage optimales, vous devez absolument respecter les conditions d'utilisation indiquées !**



**Lorsque le sécheur fonctionne à une pression inférieure à la pression de travail minimum, les performances de séchage et le point de rosée atteints diminuent !**



**SI LE SÉCHEUR EST UTILISÉ À UNE TEMPÉRATURE AMBIANTE SUPÉRIEURE À LA TEMPÉRATURE DE FONCTIONNEMENT MAXIMALE, IL PEUT ÊTRE ENDOMMAGÉ !**

**16. MISE EN SERVICE**

- Assurez-vous de retirer les stabilisateurs de transport.
- Vérifiez que tous les raccords de conduite d'air comprimé sont bien fixés.
- Vérifiez que le compresseur est correctement alimenté.
- Vérifiez le branchement entre le tuyau du manomètre de l'armoire et le bloc pneumatique du compresseur. (Fig.3 a 7)
- Vérifiez le câble électrique du compresseur dans la prise de l'armoire (34). (Fig. 3)
- Vérifiez si le câble de commande de l'unité d'aspiration est bien raccordé (12). (Fig. 11)
- Vérifiez si les tuyaux d'admission et d'évacuation sont bien raccordés. (Fig.9)
- Vérifiez que le commutateur du disjoncteur est sur la position « I ». Placez le commutateur du disjoncteur (4) sur la position « I » s'il se trouve sur la position « 0 ». (Fig. 12)
- Faites tourner le commutateur (5) situé sur la face avant de l'armoire en position « I » ; un voyant vert indique que l'appareil est en marche. (Fig. 12)



**Le compresseur n'est pas doté d'une alimentation électrique de secours.**

## 17. MISE SOUS TENSION DU COMPRESSEUR

(Fig. 12)

Allumez le compresseur au niveau du pressostat (1) en tournant le commutateur (2) sur la position « I ». Vérifiez que le commutateur du disjoncteur est sur la position « I ». Dans le cas contraire, faites basculer le commutateur (4) sur la position « I ». Lorsque vous activez le commutateur (5) à l'avant de l'armoire, le voyant s'allume en vert. Le compresseur se met en marche, le réservoir d'air se remplit et la pression de commutation et le pressostat arrêtent le compresseur. Le compresseur fonctionne en mode automatique et le pressostat commande sa mise en marche et son arrêt en fonction de la consommation d'air comprimé.

Vérifiez les valeurs de la pression de mise en marche et d'arrêt à l'aide du manomètre (3). Une tolérance de  $\pm 10\%$  est acceptable. La pression du réservoir d'air ne doit pas dépasser la pression de fonctionnement autorisée.

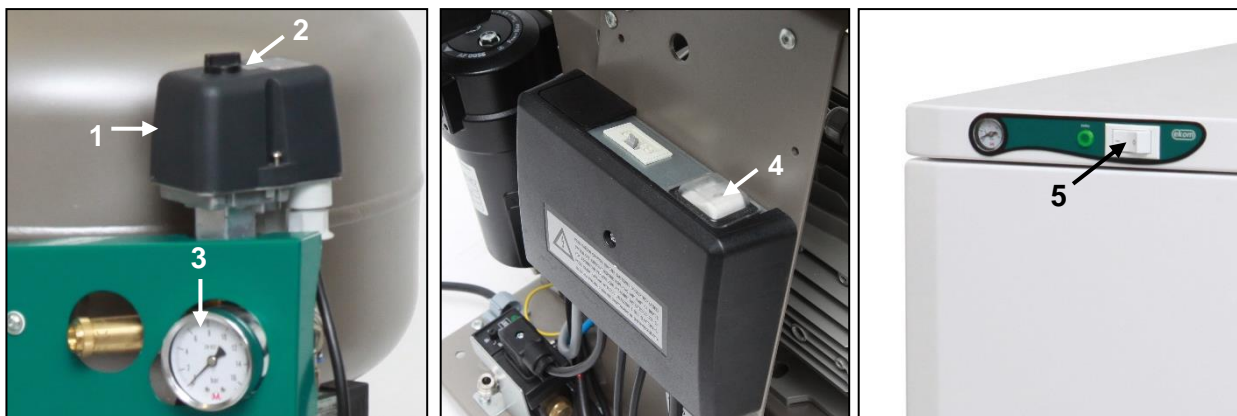


Fig.12



**Il est interdit de régler la plage de pression du pressostat du compresseur. Le pressostat (1) a été réglé par le fabricant et les modifications de ses paramètres peuvent uniquement être effectuées par un technicien qualifié.**

**Compresseur avec unité d'aspiration** – lors de la première mise en service, le compresseur remplit le réservoir d'air jusqu'à ce que la pression de commutation et le pressostat arrêtent le compresseur. Le compresseur fonctionne en mode automatique et le pressostat commande sa mise en marche et son arrêt en fonction de la consommation d'air comprimé.

L'agrégat d'aspiration est commandé à partir de l'ensemble dentaire. Le fonctionnement de l'unité d'aspiration est indiqué par le voyant blanc situé sur la face avant de l'armoire.

**Compresseur avec sécheur** – le compresseur fonctionne de la même manière que ci-dessus, seul l'air comprimé passe à travers un refroidisseur pour éliminer l'humidité de l'air comprimé.

## 18. ARRÊT DU COMPRESSEUR

(Fig.12)

L'arrêt du compresseur pour entretien ou pour toute autre raison s'effectue à partir du commutateur d'alternance (1) en tournant le sélecteur (2) sur la position « 0 » et **en débranchant la fiche secteur de la prise**. Cette opération permet de mettre le compresseur hors tension. Purgez à zéro la pression dans le réservoir d'air en ouvrant la soupape de vidange. (Fig. 13).

## MAINTENANCE

### 19. MAINTENANCE DE L'APPAREIL

#### Avertissement !

L'opérateur doit s'assurer que des tests répétés de l'appareil sont effectués au moins une fois tous les 24 mois (EN 62353) ou à des intervalles définis par les réglementations nationales applicables. Un procès-verbal des résultats de ces tests doit être rempli (par ex., conformément à la norme EN 62353, annexe G) avec les méthodes de mesure.

L'appareil a été conçu et fabriqué de manière à réduire au minimum l'entretien. Vous devez effectuer les travaux suivants pour préserver le fonctionnement correct et fiable du compresseur.



**Avant le début des travaux d'entretien du compresseur, vous devez vérifier que le compresseur est déconnecté de l'appareil pour vous assurer que la personne qui utilise l'appareil n'est pas en danger et qu'il n'existe aucun risque de dommages matériels !**



**Les composants (tête, cylindre, tuyau de pression, etc.) sont très chauds pendant et peu après le fonctionnement du compresseur - évitez de les toucher!**



**Les travaux de réparation, dépassant le cadre d'un entretien ordinaire, ne peuvent être effectués que par un technicien qualifié ou par le service client du fabricant. Utilisez uniquement les pièces de rechange et les accessoires agréés par le fabricant.**



**PROTÉGEZ VOS YEUX ! PORTEZ DES LUNETTES DE PROTECTION LORSQUE VOUS ÉVACUEZ L'AIR COMPRIMÉ DU CIRCUIT D'AIR COMPRIMÉ (RÉSERVOIR D'AIR).**

Les travaux ci-après doivent uniquement être effectués par un membre du personnel qualifié :



**AVANT DE COMMENCER DES TRAVAUX DE MAINTENANCE, DÉBRANCHEZ D'ABORD LE COMPRESSEUR DU SECTEUR (DÉBRANCHEZ LA PRISE) ET ÉVACUEZ L'AIR COMPRIMÉ DU RÉSERVOIR D'AIR.**



**Laissez l'appareil refroidir avant de procéder à des opérations de maintenance, d'entretien ou de brancher/débrancher l'alimentation en air comprimé.**



**Si le câble de mise à la terre a été débranché durant des travaux d'entretien, rebranchez-le sur son emplacement initial à la fin des travaux.**



**L'unité d'aspiration peut être contaminée. En cas de réparation, il faut envoyer l'unité d'aspiration à l'organisation spécialisée pour décontamination ou à EKOM spol.s r.o.**

## 19.1. Intervalles de maintenance

Intervalle de temps <sup>e)</sup>	50 Hz	60 Hz	une fois par jour		une fois par semaine		une fois par an		une fois tous les 2 ans		2000 heures		4000 heures		6000 heures		8000 heures		10000 heures		12000 heures		Chapitre	Nomenclature	Intervalle de temps
			par jour	par semaine	par an	tous les 2 ans	heures	heures	heures	heures	heures	heures	heures	heures	heures	heures	heures	heures	heures	heures	heures	heures			
Vérifications opérationnelles de l'appareil	X																						19.2	-	utilisateur
Purgez le condensat du réservoir d'air comprimé - À humidité relative élevée) <sup>b)</sup> - Videz le condensat du bac de récupération) <sup>d)</sup>	X																						19.5	-	utilisateur
Purgez le condensat du réservoir d'air comprimé <sup>b)</sup> - À humidité relative normale)			X																				19.5	-	utilisateur
Vérification du fonctionnement de l'appareil			X																				9	-	utilisateur
Contrôle des fuites au niveau des branchements et inspection de l'appareil				X																			19.3	-	professionnel qualifié
Inspection des branchements électriques				X																			19.4	-	professionnel qualifié
Contrôle du refroidisseur et du ventilateur				X																			19.9	-	professionnel qualifié
Remplacement de l'élément filtrant du filtre du sécheur				X																			19.8	025200304-000	professionnel qualifié
Contrôle de la soupape de sûreté				X																			19.6	-	professionnel qualifié
Remplacement du filtre d'entrée sur l'agrégat du DK50 PLUS <sup>a)</sup>							X							X									19.7	025200126-000	professionnel qualifié
V Remplacement du filtre d'entrée et du préfiltre sur l'agrégat du DK50 2V <sup>a)</sup>							X							X									19.7	025200139-000 025200150-000	professionnel qualifié
Réalisation des « tests répétés » conformément à la norme EN 62353									X														19.		professionnel qualifié

<sup>a)</sup> les données sont présentées en heures ; si ce n'est pas possible, il s'agit alors d'années

<sup>b)</sup>seulement pour les compresseurs sans sécheur

<sup>c)</sup> Pour les modèles de compresseur 60 Hz, réduisez l'intervalle de temps en heures de 20 % (2000h./1600h., 4000h./3200h., 6000h./4800h., 8000h./6400h., 10000h./8000h., 12000h./9600h.)

<sup>d)</sup>uniquement pour les compresseurs avec sécheur

### 19.2. Contrôles opérationnels

- Contrôle de l'état de l'agrégat - les agrégats doivent fonctionner normalement sans vibrations ou bruits excessifs. Réglez tout problème ou contactez le personnel d'entretien si vous en détectez un.
- Contrôle visuel du fonctionnement du ventilateur - assurez-vous que les ventilateurs sont en marche lors du fonctionnement des agrégats. Réglez tout problème ou contactez le personnel d'entretien si vous en détectez un.
- Vérifiez que le câble d'alimentation et les flexibles pneumatiques ne sont pas endommagés. Remplacez les composants endommagés ou contactez le personnel d'entretien.
- Contrôle de la température ambiante - la température ambiante doit être inférieure à la limite de température (40 °C). Refroidissez l'espace si la température est élevée.
- Sur les compresseurs avec sécheur - ouvrez le bouchon de la bouteille de collecte du condensat pour purger le condensat.

### 19.3. Contrôle des fuites au niveau des raccords pneumatiques et inspection de l'appareil

#### Contrôle des fuites :

- Avec le compresseur en marche, contrôlez les fuites au niveau des raccords pneumatiques - pressurisation.
- Utilisez un analyseur de fuites ou de l'eau savonneuse pour vérifier la présence de fuites sur tous les joints et raccords. Resserrez ou refermez les branchements où des fuites sont présentes.

#### Inspection de l'appareil :

- Vérifiez l'état de fonctionnement normal et les niveaux sonores de l'agrégat du compresseur.
- Contrôle du fonctionnement du ventilateur - les ventilateurs doivent fonctionner pendant les cycles de travail définis du compresseur.
- Contrôle du fonctionnement du commutateur de température (B2) - chauffez le commutateur de température à une température supérieure à 40 °C (p. ex. à l'aide d'un pistolet thermique, en évitant de tordre les pièces en plastique à proximité). Le ventilateur EV1 (et EV2 pour un compresseur avec sécheur) démarre dès que la température atteint 40 °C tant que l'alimentation est connectée au compresseur.
- Vérification de l'état du filtre - les filtres doivent être intacts et suffisamment propres.
- Vérifiez l'état de l'agrégat lui-même - assurez-vous qu'aucune contamination ne se produise à l'intérieur du carter ou qu'aucun jeu du vilebrequin n'est présent.
- Remplacez les pièces défectueuses au besoin.

### 19.4. Inspection des branchements électriques



**Vérifiez tous les branchements électriques de l'appareil lorsque le secteur est débranché !**

#### Inspection

- Vérifiez la fonction mécanique du commutateur principal.
- Vérifiez que le câble d'alimentation et les câbles connectés ne sont pas endommagés.
- Inspectez visuellement le branchement de chaque câble de la barrette de fixation.
- Inspectez toutes les bornes à vis du conducteur de protection PE mis à la terre vert et jaune.

### 19.5. Purge de condensat

#### Compresseurs (Fig. 13)

Il est recommandé d'évacuer le condensat du récipient sous pression lors du fonctionnement régulier. Débranchez le compresseur du secteur. Ramenez la pression d'air de l'appareil jusqu'à 1 bar en laissant s'échapper l'air à travers un dispositif couplé. Installez le tuyau issu de l'emballage dans la soupape de vidange. Placez la cuve sous le tuyau et libérez le condensat du réservoir en ouvrant la soupape de décharge (1).



Fig. 13



**Ouvrez la soupape de vidange lentement et avec prudence. L'ouverture trop rapide de la soupape de vidange a pour conséquence un grand bruit et un déversement incontrôlé du condensat accumulé.**

Les compresseurs non dotés d'un sécheur peuvent être équipés du dispositif de vidange automatique du condensat pour permettre au condensat de s'écouler sans intervention de l'opérateur (voir chap. 8.2).

#### Compresseurs avec sécheur d'air (Fig. 14)

Le condensat des compresseurs avec sécheur d'air est automatiquement évacué dans une bouteille de collecte. La bouteille doit être vidangée régulièrement.



Fig. 14



**Surveillez le niveau de la cuve à l'aide des marques de 1 ou 2 litres (en fonction du volume de la cuve), et videz-la au moins une fois par jour. La cuve peut déborder si le condensat n'est pas évacué hors du récipient à l'intervalle défini.**



**Risque de glissement sur un plancher mouillé en cas de débordement de la cuve.**



**LES OPÉRATIONS SUIVANTES SONT OBLIGATOIRES AVANT TOUTE VÉRIFICATION DE SUIVI :**

**Compresseurs avec armoire** - libérez le verrou de la porte et ouvrez la porte de l'armoire.

### 19.6. Contrôle de la soupape de sûreté

(Fig. 15)

Lors de la mise en service du compresseur, assurez-vous du bon fonctionnement de la soupape de sûreté. Tournez la vis (2) de la soupape de sûreté (1) plusieurs fois à gauche jusqu'à ce que l'air s'échappe de la soupape de sûreté. Ne laissez l'air s'échapper qu'un court instant. Tournez la vis (2) vers la droite jusqu'à la butée pour fermer la soupape.

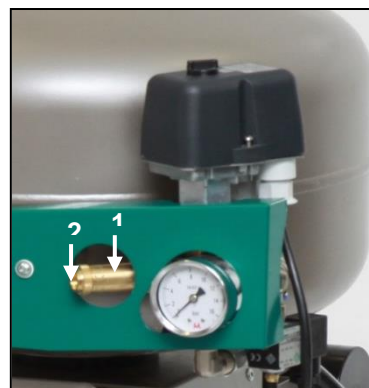


Fig. 15



**La soupape de sûreté ne doit pas être utilisée pour évacuer la pression du réservoir d'air. Cela pourrait endommager la soupape de sûreté. La vanne est réglée à la pression maximale autorisée par le fabricant. Il est interdit de modifier ces réglages !**



**AVERTISSEMENT ! L'AIR COMPRIMÉ EST DANGEREUX EN RAISON DU RISQUE DE LÉSIONS OCULAIRES ! RISQUE DE DOMMAGES AUX YEUX.**



### 19.7. Remplacement du filtre d'entrée et du préfiltre

(Fig. 16)

Le filtre d'entrée se trouve à l'intérieur du capot du carter du compresseur.

Remplacement du filtre d'entrée :

- Retirez le bouchon en caoutchouc (2) à la main.
- Retirez le filtre usagé (1).
- Insérez un nouveau filtre et refermez le bouchon en caoutchouc.

Remplacement du préfiltre :

- Retirez le préfiltre (3) à la main.
- Remplacez l'élément, puis remettez-le en place.

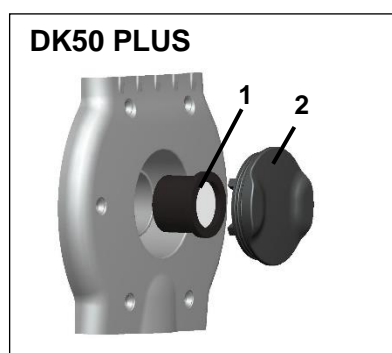
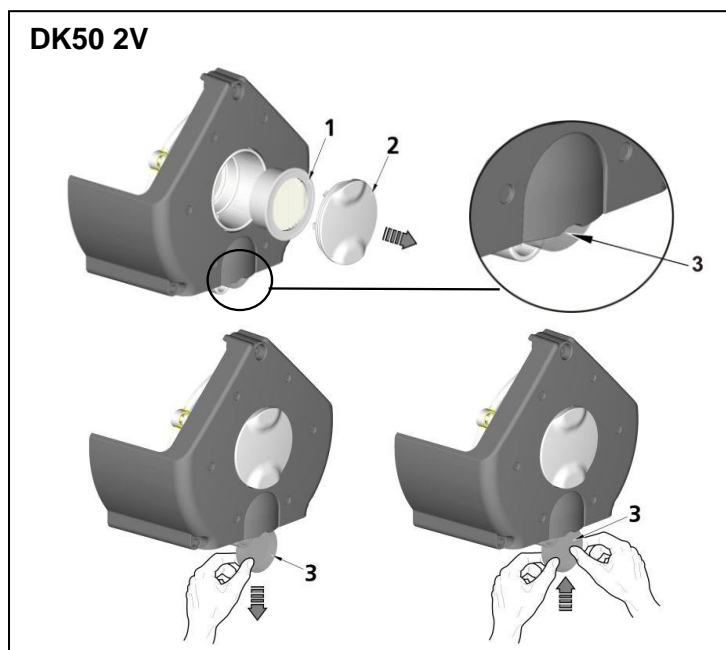


Fig. 16



### 19.8. Remplacement de l'élément filtrant

(Fig. 17)

- Retirez le tuyau (1) du raccord rapide.
- À l'aide d'une clé (2), desserrez le corps de filtre (3) et retirez-le.
- Tirez l'élément filtrant (4) vers le bas pour le retirer.
- Insérez un nouvel élément filtrant.
- Réinstallez le corps de filtre.
- Serrez doucement le corps de filtre à l'aide d'une clé.
- Réinstallez le tuyau sur le raccord rapide.

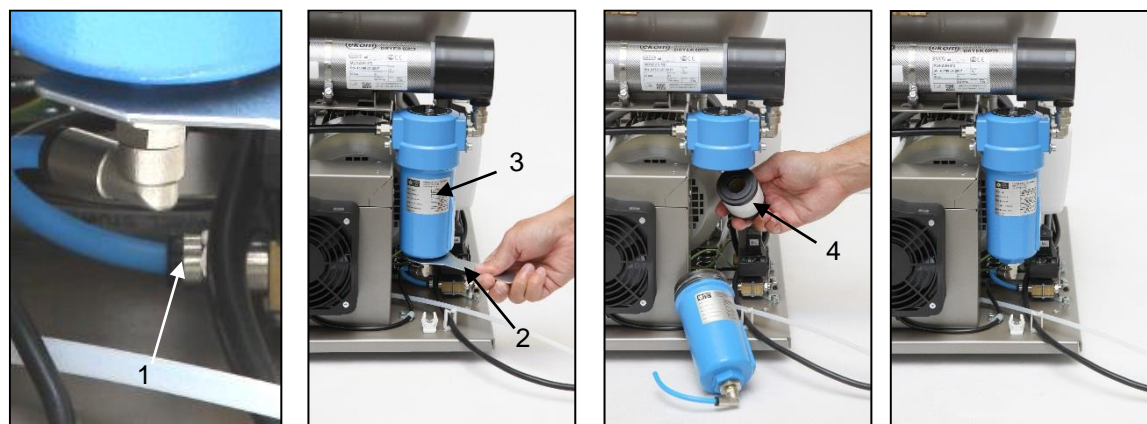


Fig. 17

### 19.9. Contrôle du refroidisseur et du ventilateur (Fig. 2)

Les composants, notamment le ventilateur du compresseur, le ventilateur du refroidisseur (21) et le refroidisseur (14), doivent être maintenus propres pour un séchage efficace. Retirez la poussière de la surface du ventilateur ou des ailettes de refroidissement par aspiration ou en soufflant à l'air comprimé.

### 19.10. Nettoyage et désinfection des surfaces extérieures du produit

Nettoyer et désinfecter les surfaces extérieures de l'appareil avec des produits neutres.



**Toute utilisation des produits de nettoyage et de désinfection contenant de l'alcool et des chlorures peut entraîner la détérioration de la surface et l'altération de la couleur de l'appareil.**

## DÉPANNAGE



**Avant toute intervention sur l'appareil, réduisez à zéro la pression dans le réservoir d'air et débranchez l'appareil du secteur.**

L'équipement, notamment le ventilateur de refroidissement, doit être maintenu en bon état de propreté pour assurer le rendement à long terme du refroidisseur – les ailettes de refroidissement doivent être nettoyées occasionnellement pour enlever la poussière.

Les travaux de dépannage ne peuvent qu'être effectués par un technicien qualifié.



**Pour respecter les règles d'hygiène personnelle lors d'opérations impliquant des matériaux contaminés. Pour séparer, étiqueter, emballer et assurer la décontamination des parties contaminées selon les réglementations nationales.**

DYSFONCTIONNEMENTS	CAUSE POSSIBLE	SOLUTION
Le compresseur ne démarre pas	<p>Pas de tension dans le pressostat</p> <p>Défaillance de l'enroulement du moteur, protection de surcharge thermique</p> <p>Condensateur en panne</p> <p>Piston ou autres parties rotatives grippés</p> <p>Le pressostat ne fonctionne pas</p>	<p>Vérifiez la tension de la prise</p> <p>Vérifiez le commutateur du disjoncteur – et si le commutateur est sur la position « I »</p> <p>Le conducteur de la borne est desserré – desserrez-le</p> <p>Vérifiez le cordon électrique - remplacez le cordon défectueux</p> <p>Remplacez le moteur ou les enroulements</p> <p>Remplacez le condensateur</p> <p>Remplacez les pièces endommagées</p> <p>Vérifiez le fonctionnement du pressostat</p>

## DUO, DUO 2V, DUO 2

Le compresseur est régulièrement activé	Fuite d'air dans le système de distribution d'air comprimé Fuite du clapet anti-retour  Grand volume de liquide condensé dans le récipient sous pression Performance faible du compresseur	Vérifiez le système de distribution d'air comprimé – resserrez les joints non hermétiques Nettoyez le clapet anti-retour, remplacez les joints d'étanchéité, remplacez le clapet anti-retour Vidangez le liquide condensé Vérifiez le temps de remplissage du réservoir d'air
Pression faible dans le réservoir d'air (le compresseur fonctionne en continu)	Forte consommation d'air par l'appareil, fuite dans le système de distribution pneumatique, production globale faible Dysfonctionnement de l'agrégat Dysfonctionnement du sécheur	Réduire la consommation d'air Utiliser un compresseur d'une plus grande capacité Vérifier le système pneumatique – sceller les raccords mal fixés Nettoyer / remplacer la pompe Nettoyer / remplacer la pompe Remplacer le sécheur
Utilisation prolongée du compresseur	Fuite dans le système de distribution pneumatique Bague de piston usée Filtre d'entrée obstrué Électrovanne défectueuse	Vérifiez le système de distribution d'air comprimé – resserrez les joints non hermétiques Remplacez les bagues de piston usées Remplacez le filtre usagé par un filtre neuf Réparez ou remplacez la soupape ou la bobine
Compresseur bruyant (cognements, bruits de métal)	Roulement de piston, tige de piston, roulement moteur endommagés Ressort desserré ou fissuré	Remplacez le roulement endommagé  Remplacez le ressort endommagé
L'unité d'aspiration ne fonctionne pas, ou fonctionne de façon irrégulière	Aucune tension dans les bornes de l'unité d'aspiration	Vérifiez la tension de la prise Vérifiez les fusibles - remplacez le fusible défectueux Vis de borne desserrées – revissez-les Vérifiez le cordon électrique - remplacez le cordon défectueux Vérifiez la tension de commande
	D'autres pannes mécaniques dans l'unité d'aspiration	Roulement endommagé, roue de l'unité d'aspiration endommagée - contactez le service d'entretien
	Surchauffe de l'unité d'aspiration (dispositif de protection thermique déclenché)	Vérifiez le bon fonctionnement du ventilateur de l'armoire - remplacez-le s'il est défectueux Inspectez les conduites d'aspiration et d'évacuation pour déceler des dommages – (remplacez les tuyaux endommagés et retirez les corps étrangers)
L'unité d'aspiration génère peu ou pas d'aspiration, le moteur tourne	Fuite dans les conduites d'aspiration, corps étrangers dans la tuyauterie d'aspiration, conduite d'échappement bouchée	Vérifiez les raccordements sur la conduite d'aspiration, réparez les fuites, retirez les corps étrangers
Le sécheur ne sèche plus (eau condensée dans le réservoir) *	Le ventilateur de refroidissement ne fonctionne pas	Remplacez-le Vérifiez la source d'alimentation
	Sécheur endommagé	Remplacez le sécheur
	Le dispositif de purge automatique de condensat ne fonctionne pas	Nettoyez/remplacez

)\* Après un dysfonctionnement du sècheur, nettoyez soigneusement les surfaces intérieures du réservoir d'air et retirez tout le liquide condensé.

**Afin de protéger l'appareil contre tout dommage, contrôlez le point de rosée de l'air s'échappant du réservoir d'air (cf. Chapitre 7 Données techniques) !**

## 20. SERVICE DE RÉPARATION

Toutes les réparations, sous garantie ou après l'expiration de celle-ci, doivent être effectuées par le fabricant, son représentant agréé ou par le personnel d'entretien agréé par le fournisseur.

**Le fabricant se réserve le droit d'apporter des modifications à l'appareil sans préavis. Les modifications apportées n'affecteront en aucun cas les propriétés fonctionnelles de l'appareil.**

## 21. STOCKAGE

En cas de non-utilisation prolongée du compresseur, vidangez tout le condensat du réservoir d'air. Ensuite, mettez le compresseur en marche pendant 10 secondes, en laissant la soupape de vidange ouverte (1) (Fig. 13). Arrêtez le compresseur à l'aide du commutateur (2) du pressostat(1) (Fig. 12), puis fermez la soupape de vidange et débranchez l'appareil du secteur.

## 22. MISE AU REBUT DE L'APPAREIL

- Débranchez l'appareil du secteur.
- Évacuez la pression d'air du réservoir en ouvrant la soupape de vidange (1) (Fig. 13).
- Respectez les règles d'hygiène personnelle pendant la manipulation des matériaux contaminés.
- Séparez, étiquetez, emballez et assurez la décontamination des parties contaminées conformément aux réglementations nationales.
- Mettez l'appareil au rebut conformément aux réglementations environnementales en vigueur.
- Confiez le tri et l'élimination des déchets à une entreprise spécialisée.
- Les composants usés n'ont aucune incidence négative sur l'environnement.



**Les pièces internes de l'unité d'aspiration peuvent être contaminées par des matières biologiques à la suite d'une mauvaise utilisation. Confiez l'appareil à un organisme spécialisé dans la décontamination avant de trier et de jeter l'unité avec les déchets.**

**ОГЛАВЛЕНИЕ**

<b>ВАЖНЫЕ СВЕДЕНИЯ .....</b>	<b>122</b>
1. СООТВЕТСТВИЕ ТРЕБОВАНИЯМ ДИРЕКТИВ ЕВРОПЕЙСКОГО СОЮЗА .....	122
2. НАЗНАЧЕНИЕ .....	122
3. ПРОТИВОПОКАЗАНИЯ И ПОБОЧНЫЕ ЭФФЕКТЫ .....	122
4. ПРЕДУПРЕЖДЕНИЯ И СИМВОЛЫ .....	122
5. ПРЕДУПРЕЖДЕНИЯ .....	123
6. ХРАНЕНИЕ И ТРАНСПОРТИРОВКА .....	125
7. ТЕХНИЧЕСКИЕ ХАРАКТЕРИСТИКИ .....	126
8. ОПИСАНИЕ ИЗДЕЛИЯ .....	133
9. ПРИНЦИП ДЕЙСТВИЯ ИЗДЕЛИЯ .....	135
10. СХЕМА ВОЗДУШНОЙ СИСТЕМЫ .....	140
<b>УСТАНОВКА .....</b>	<b>141</b>
11. УСЛОВИЯ ЭКСПЛУАТАЦИИ .....	141
12. РАЗМЕЩЕНИЕ КОМПРЕССОРА .....	142
13. ПНЕВМАТИЧЕСКИЕ СОЕДИНЕНИЯ .....	144
14. ЭЛЕКТРИЧЕСКИЕ СОЕДИНЕНИЯ .....	147
15. СХЕМА ЭЛЕКТРИЧЕСКИХ СОЕДИНЕНИЙ .....	149
<b>ЭКСПЛУАТАЦИЯ .....</b>	<b>151</b>
16. ВВОД В ЭКСПЛУАТАЦИЮ .....	151
17. ВКЛЮЧЕНИЕ КОМПРЕССОРА .....	152
18. ВЫКЛЮЧЕНИЕ КОМПРЕССОРА .....	152
<b>ТЕХНИЧЕСКОЕ ОБСЛУЖИВАНИЕ .....</b>	<b>153</b>
19. ТЕХНИЧЕСКОЕ ОБСЛУЖИВАНИЕ УСТРОЙСТВА .....	153
<b>УСТРАНЕНИЕ НЕИСПРАВНОСТЕЙ .....</b>	<b>158</b>
20. РЕМОНТНОЕ ОБСЛУЖИВАНИЕ .....	160
21. УСЛОВИЯ ХРАНЕНИЯ .....	160
22. УТИЛИЗАЦИЯ УСТРОЙСТВА .....	160
<b>ПРИЛОЖЕНИЕ .....</b>	<b>281</b>
23. ОТЧЕТ ОБ УСТАНОВКЕ .....	284

## **ВАЖНЫЕ СВЕДЕНИЯ**

УВАЖАЕМЫЙ ПОЛЬЗОВАТЕЛЬ.

ПОЖАЛУЙСТА, ВНИМАТЕЛЬНО ПРОЧТИТЕ ДАННОЕ РУКОВОДСТВО ПО ЭКСПЛУАТАЦИИ ДЛЯ ТОГО, ЧТОБЫ ОБЕСПЕЧИТЬ ОПТИМАЛЬНОЕ И ПРАВИЛЬНОЕ ФУНКЦИОНИРОВАНИЕ ВАШЕГО МЕДИЦИНСКОГО ОБОРУДОВАНИЯ.

Изделие зарегистрировано и соответствует требованиям Федеральной Службы по надзору в сфере здравоохранения и социального развития Российской Федерации.

Изделие соответствует системе сертификации ГОСТ Р Госстандарта России.

### **1. СООТВЕТСТВИЕ ТРЕБОВАНИЯМ ДИРЕКТИВ ЕВРОПЕЙСКОГО СОЮЗА**

Данное изделие соответствует требованиям директив «Медицинские приборы, устройства, оборудование» (93/42/ЕЕС). Его можно безопасно использовать по назначению при условии соблюдения всех требований техники безопасности.

### **2. НАЗНАЧЕНИЕ**

Медицинский компрессор и аспиратор используются в качестве источника чистого обезмасленного сжатого воздуха для питания и охлаждения устройств, работающих на сжатом воздухе, в стоматологических установках, а также в качестве источника вакуума для вакуумных систем. Устройство можно использовать со всеми типами стоматологических установок, оборудованных вакуумным устройством.



**Подаваемый компрессором сжатый воздух, не прошедший дополнительную фильтрацию, не подходит для использования в аппаратах искусственной вентиляции легких.**

Применение данного изделия для других целей, не соответствующих назначению устройства, считается ненадлежащим использованием. Производитель не несет ответственности за повреждения и травмы, вызванные ненадлежащим использованием устройства.

### **3. ПРОТИВОПОКАЗАНИЯ И ПОБОЧНЫЕ ЭФФЕКТЫ**

Противопоказания или побочные эффекты неизвестны.

### **4. ПРЕДУПРЕЖДЕНИЯ И СИМВОЛЫ**

В руководстве пользователя, а также на устройстве и упаковке к нему для обозначения важных сведений используются перечисленные ниже символы.



Общие предупреждения



Предупреждение



Опасно, угроза поражения электрическим током



См. руководство пользователя.



Следуйте указаниям, содержащимся в руководстве пользователя



Маркировка CE



Компрессор управляется автоматически; он может запускаться без предупреждения



Внимание! Горячая поверхность



Заземление



Клемма заземления



Маркировка на упаковке — ХРУПКИЙ ПРЕДМЕТ



Маркировка на упаковке — ЭТОЙ СТОРОНОЙ ВВЕРХ



Маркировка на упаковке — БЕРЕЧЬ ОТ ВЛАГИ



Маркировка на упаковке — ТЕМПЕРАТУРНЫЕ ОГРАНИЧЕНИЯ



Маркировка на упаковке — ШТАБЕЛИРОВАНИЕ ОГРАНИЧЕНО



Маркировка на упаковке — ПРИГОДНО ДЛЯ ВТОРИЧНОЙ ПЕРЕРАБОТКИ



Производитель



Угроза воздействия биологических материалов

## 5. ПРЕДУПРЕЖДЕНИЯ

Данное изделие спроектировано и изготовлено таким образом, чтобы не представлять опасности для пользователя и окружающей среды при условии надлежащей эксплуатации. Имейте в виду перечисленные ниже предупреждения.

### 5.1. Общие предупреждения

ПРЕЖДЕ ЧЕМ ИСПОЛЬЗОВАТЬ ИЗДЕЛИЕ, ВНИМАТЕЛЬНО ПРОЧИТАЙТЕ РУКОВОДСТВО ПОЛЬЗОВАТЕЛЯ. СОХРАНИТЕ РУКОВОДСТВО ДЛЯ ИСПОЛЬЗОВАНИЯ В БУДУЩЕМ.

- В данном руководстве пользователя рассказывается, как правильно установить и эксплуатировать изделие, а также выполнять его техническое обслуживание. Внимательно изучите данное руководство, чтобы правильно эксплуатировать изделие в соответствии с его назначением.

- Сохраните заводскую упаковку на случай возврата устройства. Только заводская упаковка гарантирует защиту устройства во время его транспортировки. При возврате изделия в течение гарантийного срока производитель не несет ответственности за повреждения, вызванные ненадлежащей упаковкой.
- Гарантия не распространяется на изделия, поврежденные в результате применения дополнительных принадлежностей, которые не указаны или не рекомендованы производителем.
- Производитель гарантирует безопасность, надежность и функционирование устройства только при соблюдении описанных ниже условий.
  - Установку, перенастройку, внесение изменений, расширение возможностей и ремонтные работы должен выполнять производитель либо уполномоченная им организация.
  - Изделие следует использовать в соответствии с данным руководством пользователя.
- Данное руководство пользователя соответствует конфигурации изделия и на момент печати отвечает требованиям всех стандартов безопасности и техническим условиям. Производитель оставляет за собой все права на патентную защиту своих методов, названий и конфигурации.
- Перевод руководства пользователя следует выполнять с учетом всей доступной информации. В случае сомнений требуется использовать версию на словацком языке.
- Данное руководство пользователя — исходное. Перевод руководства следует выполнять с учетом всей доступной информации.

## 5.2. Общие предостережения по безопасности

Производитель разработал и изготовил изделие таким образом, чтобы максимально сократить все риски при условии правильной эксплуатации. Производитель считает своей обязанностью изложить указанные ниже общие требования техники безопасности.

- При эксплуатации изделия следует соблюдать все законы и нормативные акты, действующие в месте использования оборудования. Оператор и пользователь несут ответственность за соблюдение всех соответствующих нормативных актов для безопасной эксплуатации.
- Только использование деталей и узлов, изготовленных производителем, гарантирует безопасность обслуживающего персонала и бесперебойную работу самого изделия. Разрешается применять только те дополнительные принадлежности и детали, которые указаны в технической документации или утверждены производителем.
- Перед каждым использованием устройства оператору необходимо убедиться, что оно работает надлежащим образом и безопасно для эксплуатации.
- Пользователь должен понимать принцип работы устройства.
- Не используйте изделие во взрывоопасных средах.
- В случае возникновения проблем, непосредственно связанных с эксплуатацией устройства, пользователь обязан немедленно уведомить поставщика.



### 5.3. Меры техники безопасности для защиты от поражения электрическим током

- Устройство следует подключать только к правильно установленной и заземленной розетке.
- Перед подключением изделия к электросети необходимо убедиться, что напряжение и частота электросети соответствуют характеристикам, указанным на устройстве.
- Прежде чем ввести устройство в эксплуатацию, проверьте, не повреждены ли подключенные к устройству пневматические линии и провода. Если повреждены какие-либо пневматические линии и электрические провода, немедленно замените их.
- При возникновении опасной ситуации или технической неисправности немедленно отключите изделие от электросети (вытащите сетевой шнур из розетки).
- При ремонте и техническом обслуживании соблюдайте указанные ниже требования.
  - Извлеките вилку сетевого шнура из розетки.
  - Сравите давление из ресивера и трубопровода.
- Установку изделия должен выполнить только квалифицированный специалист.

## 6. ХРАНЕНИЕ И ТРАНСПОРТИРОВКА

Компрессор поставляется с фабрики в транспортной упаковке. Она защищает устройство от повреждений во время транспортировки.



**При транспортировке компрессора по возможности следует использовать его заводскую упаковку. Транспортируйте компрессор в вертикальном положении. Во время транспортировки всегда закрепляйте его соответствующими средствами.**



При транспортировке и хранении не подвергайте компрессор воздействию влаги, грязи и экстремальных температур. Храните компрессор в заводской упаковке в теплом, сухом и незапыленном помещении. Не храните компрессор вблизи химических веществ.



По возможности сохраните упаковочный материал. Если нет такой возможности, утилизируйте его экологически безопасным способом. Упаковочный картон можно перерабатывать вместе со старой бумагой.



**Прежде чем транспортировать компрессор, полностью стравите давление в нем. Прежде чем перемещать или транспортировать компрессор, стравите давление в ресивере и шлангах, а также слейте водяной конденсат из ресивера.**



**Запрещается хранить и транспортировать оборудование в условиях, отличных от приведенных ниже.**

### Условия окружающей среды при хранении и транспортировке

Изделия можно хранить и перевозить только в транспортных средствах, не содержащих остатков летучих химических веществ при указанных ниже условиях.

Температура: от  $-25\text{ }^{\circ}\text{C}$  до  $+55\text{ }^{\circ}\text{C}$  (24 ч при температуре до  $+70\text{ }^{\circ}\text{C}$ )  
Относительная влажность: 10–90 % (при отсутствии конденсата)

## 7. ТЕХНИЧЕСКИЕ ХАРАКТЕРИСТИКИ

Компрессоры спроектированы для эксплуатации в сухих и вентилируемых помещениях при указанных ниже условиях.

Температура: *от +5 до +40 °C*  
 Макс. относительная влажность: *70 %*  
 Макс. абсолютная влажность: *15 г/м<sup>3</sup>*

Табл.1

		<b>DUO</b>	<b>DUO/M</b>
Компрессор: 5–7 бар		DK50 PLUS	DK50 PLUS/M
Вакуумное устройство		1	1
Номинальное напряжение и частота(*)	В/Гц	230 / 50 230 / 60	230 / 50 230 / 60
Производительность при давлении 5 бар	л/мин <sup>-1</sup>	75 85	58 68
Рабочее давление (**)	бар	5,0 – 7,0	5,0 – 7,0
Производительность вакуумного устройства при давлении 5 кПа	л/мин <sup>-1</sup>	800	800
Давление в вакуумном устройстве, макс	кПа	12	12
Макс. ток	А	6,9 7,9	7,1 8
Мощность двигателя компрессора	кВт	0,55	0,55
Объем ресивера	л	25	25
Качество воздуха (фильтрация)	μм	-	0,3
Максимальное рабочее давление предохранительного клапана	бар	8,0	8,0
Уровень шума при 5 бар	LpA [дБ]	≤47 ≤50	≤47 ≤50
Рабочий режим		S1-100%	S1-100%
Степень осушения PDP при давлении 7 бар		-	≤ +3°C
Время наполнения ресивера от 0 до 6 бар	с	123 105	157 128
Габариты (устройства) Ш x Г x В	мм	560x684x1251	560x684x1251
Масса нетто (***)	кг	114	119
Классификация согласно стандарту EN 60601-1		Класс I.	

Примечания.

- (\*) При заказе указывайте версию компрессора.
- (\*\*) Если необходим другой диапазон значений давления, проконсультируйтесь с поставщиком.
- (\*\*\*) Информация о весе носит информативный характер и относится к изделию без дополнительных аксессуаров.

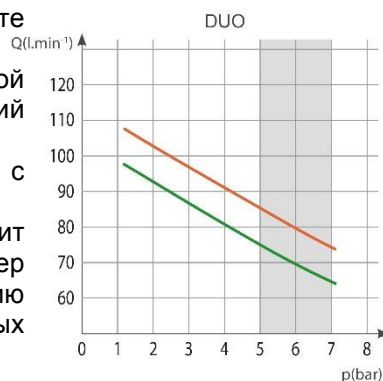


Табл. 2

		<b>DUO</b>	<b>DUO/M</b>
Компрессор: 6–8 бар		DK50 PLUS	DK50 PLUS/M
Вакуумное устройство		1	1
Номинальное напряжение и частота (*)	В/Гц	230 / 50 230 / 60	230 / 50 230 / 60
Производительность при давлении 6 бар	л/мин <sup>-1</sup>	70 80	60 70
Рабочее давление (**)	бар	6,0 – 8,0	6,0 – 8,0
Производительность вакуумного устройства при давлении 5 кПа	л/мин <sup>-1</sup>	800	800
Давление в вакуумном устройстве, макс	кПа	12	12
Макс. ток	А	7 8	7,2 8,1
Мощность двигателя компрессора	кВт	0,55	0,55
Объем ресивера	л	25	25
Качество воздуха (фильтрация)	μм	-	0,3
Максимальное рабочее давление предохранительного клапана	бар	11,0	11,0
Уровень шума при 5 бар	L <sub>pfA</sub> [дБ]	≤47 ≤50	≤47 ≤50
Рабочий режим		S1-100%	S1-100%
Степень осушения PDP при давлении 7 бар		-	≤ +3°C
Время наполнения ресивера от 0 до 7 бар	с	149 126	198 159
Габариты (устройства) Ш x Г x В	мм	560x684x1251	560x684x1251
Масса нетто (***)	кг	114	119
Классификация в соответствии со стандартом EN 60601-1		Класс I.	

**Примечания.**

(\*) При заказе указывайте версию компрессора.

(\*\*) Если необходим другой диапазон значений давления, проконсультируйтесь с подрядчиком.

(\*\*\*) Информация о весе носит информативный характер и относится к изделию без дополнительных аксессуаров.



Табл.3

		<b>DUO 2V</b>	<b>DUO 2V/M</b>	<b>DUO 2</b>	<b>DUO 2/M</b>
Компрессор: 5–7 бар		DK50 2V	DK50 2V/M	DK50 2V	DK50 2V/M
Вакуумное устройство		1	1	2	2
Номинальное напряжение и частота(*)	В/Гц	230 / 50 230 / 60	230 / 50 230 / 60	230 / 50 230 / 60	230 / 50 230 / 60
Производительность при давлении 5 бар	л/мин <sup>-1</sup>	140	108	140	108
Рабочее давление (**)	бар	5,0 – 7,0	5,0 – 7,0	5,0 – 7,0	5,0 – 7,0
Производительность с блоком KJF при давлении 5 бар	л/мин <sup>-1</sup>	140	-	140	-
Производительность вакуумного устройства при давлении 5 кПа	л/мин <sup>-1</sup>	800	800	2x800	2x800
Давление в вакуумном устройстве, макс	кПа	12	12	12	12
Макс. ток	А	11,5 12,5	11,7 12,7	14,5 15,4	14,6 15,6
Мощность двигателя компрессора	кВт	1,2	1,2	1,2	1,2
Объем ресивера	л	25	25	25	25
Качество воздуха (фильтрация)	μм	-	0.3	-	0,3
Максимальное рабочее давление предохранительного клапана	бар	8,0	8,0	8,0	8,0
Уровень шума при 5 бар	LpFA [дБ]	≤ 51,5	≤ 55,0	≤ 51,5	≤ 55,0
Рабочий режим		S1-100%	S1-100%	S1-100%	S1-100%
Степень осушения PDP при давлении 7 бар		-	≤ +3°C	-	≤ +3°C
Время наполнения ресивера от 0 до 6 бар	с	52	65	52	65
Габариты (устройства) Ш x Г x В	мм	560x684x1251	560x684x1251	560x684x1251	560x684x1251
Масса нетто (***)	кг	121	126	133	138
Классификация согласно стандарту EN 60601-1		Класс I.			

## Примечания.

- (\*) При заказе указывайте версию компрессора.
- (\*\*) Если необходим другой диапазон значений давления, проконсультируйтесь с поставщиком.
- (\*\*\*) Информация о весе носит информативный характер и относится к изделию без дополнительных аксессуаров

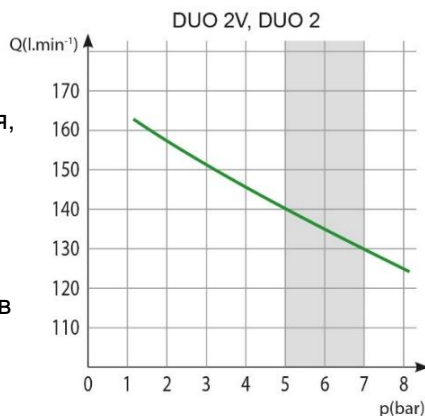


Табл. 4

		<b>DUO 2V</b>	<b>DUO 2V/M</b>	<b>DUO 2</b>	<b>DUO 2</b>
Компрессор: 6–8 бар		DK50 2V	DK50 2V/M	DK50 2V	DK50 2V/M
Вакуумное устройство		1	1	2	2
Номинальное напряжение и частота (*)	В/Гц	230 / 50 230 / 60	230 / 50 230 / 60	230 / 50 230 / 60	230 / 50 230 / 60
Производительность при давлении 6 бар	л/мин <sup>-1</sup>	135	104	135	104
Рабочее давление (**)	бар	6,0 – 8,0	6,0 – 8,0	6,0 – 8,0	6,0 – 8,0
Производительность вакуумного устройства при давлении 5 кПа	л/мин <sup>-1</sup>	800	800	2x800	2x800
Давление в вакуумном устройстве, макс.	кПа	12	12	12	12
Макс. ток	А	11,8 12,5	12,0 12,7	14,8 15,4	15,0 15,6
Мощность двигателя компрессора	кВт	1,2	1,2	1,2	1,2
Объем ресивера	л	25	25	25	25
Качество воздуха (фильтрация)	μм	-	0,3	-	0,3
Максимальное рабочее давление предохранительного клапана	бар	11,0	11,0	11,0	11,0
Уровень шума при 5 бар	L <sub>pfA</sub> [дБ]	≤ 51,5	≤ 55,0	≤ 51,5	≤ 55,0
Рабочий режим		S1-100%	S1-100%	S1-100%	S1-100%
Степень осушения PDP при давлении 7 бар		-	≤ +3°C	-	≤ +3°C
Время наполнения ресивера от 0 до 7 бар	с	61	78	61	78
Габариты (устройства) Ш x Г x В	мм	560x684x1251	560x684x1251	560x684x1251	560x684x1251
Масса нетто (***)	кг	121	126	133	138
Классификация в соответствии со стандартом EN 60601-1		Класс I.			

Примечания.

(\*) При заказе указывайте версию компрессора.

(\*\*) Если необходим другой диапазон значений давления, проконсультируйтесь с подрядчиком.

(\*\*\*) Информация о весе носит информативный характер и относится к изделию без дополнительных аксессуаров.



### 7.1. Поправки потребляемого объема сжатого воздуха за единицу времени (ПОСВ) вследствие подъема

Таблица поправок ПОСВ

Подъем [м над уровнем моря]	0–1500	1501–2500	2501–3500	3501–4500
ПОСВ [л/мин]	ПОСВ x 1	ПОСВ x 0,8	FAD x 0,71	FAD x 0,60

Значение ПОСВ (потребляемого объема сжатого воздуха) на выходе зависит от указанных ниже условий.

Подъем: 0 метров над уровнем моря  
 Атмосферное давление: 101 325 Па

Температура: 20 °C  
 Относительная влажность: 0 %

### 7.2. Требования к Электромагнитной совместимости

Медицинское устройство нуждается в специальных мерах предосторожности в отношении электромагнитной совместимости (ЭМС) и должно быть установлено и введено в эксплуатацию в соответствии с информацией ЭМС, приведенной ниже.


<b>Руководство и заявление производителя: электромагнитное излучение</b>		
Для IEC 60601-1-2:2014 - Изделия медицинские электрические. Часть 1-2. Общие требования безопасности с учетом основных функциональных характеристик. Параллельный стандарт. Электромагнитные помехи. Требования и испытания.		
Устройство предназначено к использованию в электромагнитной обстановке, как указано ниже. Покупатель или пользователь устройства должен обеспечить эксплуатацию устройства в таких условиях.		
<b>Испытание электромагнитного излучения</b>	<b>Соответствие</b>	<b>Электромагнитная обстановка: руководство</b>
Радиочастотное излучение CISPR 11	Группа 1	Устройство использует высокочастотную энергию только для функционирования внутренних компонентов. Таким образом, радиочастотное излучение очень низкое и не должно вызывать помехи в работе расположенного поблизости электронного оборудования.
Радиочастотное излучение CISPR 11	Класс В	Устройство подходит для использования во всех учреждениях, включая домашние хозяйства и учреждения, подключенные непосредственно к общественной низковольтной системе электроснабжения, питающей жилые здания.
Гармоническая эмиссия IEC 61000-3-2	Класс А	
Колебания напряжения / фликер IEC 61000-3-3	Устройство не должно вызывать фликер, так как ток после запуска практически постоянен.	

<b>Руководство и заявление производителя: электромагнитная устойчивость</b>			
Для IEC 60601-1-2:2014 - Изделия медицинские электрические. Часть 1-2. Общие требования безопасности с учетом основных функциональных характеристик. Параллельный стандарт. Электромагнитные помехи. Требования и испытания.			
Устройство предназначено к использованию в электромагнитной обстановке, как указано ниже. Покупатель или пользователь устройства должен обеспечить эксплуатацию устройства в таких условиях.			
<b>Испытание устойчивости</b>	<b>Степень жесткости испытания согласно IEC 60601-1-2</b>	<b>Уровень соответствия</b>	<b>Электромагнитная обстановка: руководство</b>
Электростатический разряд IEC 61000-4-2	$\pm 8$ кВ контактный $\pm 15$ кВ воздушный	$\pm 8$ кВ контактный $\pm 15$ кВ воздушный	Полы должны быть из дерева, бетона или керамической плитки. Если полы покрыты синтетическим материалом, относительная влажность должна быть минимум 30 %.
Электрические наносекундные импульсные помехи IEC 61000-4-4	$\pm 2$ кВ для портов электропитания $\pm 1$ кВ портов ввода/вывода	$\pm 2$ кВ 100 кГц частота повторения Применимо при подключении к основному источнику питания	Качество основного источника электропитания должно соответствовать нормам для коммерческих или лечебных учреждений.
Микросекундные импульсные помехи большой энергии IEC 61000-4-5	$\pm 1$ кВ в дифференциальном режиме, $\pm 2$ кВ в обычном режиме	$\pm 1$ кВ фаза-нейтраль $\pm 2$ кВ фаза-защитное заземление; нейтраль-защитное заземление Применимо при подключении к основному источнику питания	Качество основного источника электропитания должно соответствовать нормам для коммерческих или лечебных учреждений.
Падение напряжения, кратковременное прерывание энергоснабжения и изменение напряжения на линиях электроснабжения IEC 60601-4-11	$U_T=0\%$ , 0,5 цикла (b 0, 45, 90, 135, 180, 225, 270 и 315°) $U_T=0\%$ , 1 цикл $U_T=70\%$ 25/30 циклов (для 0°) $U_T=0\%$ , 250/300 циклов	$U_T \geq 95\%$ , 0,5 цикла (b 0, 45, 90, 135, 180, 225, 270 и 315°) $U_T \geq 95\%$ , 1 цикл $U_T=70\%$ (30% падение $U_T$ ), 25(50Hz)/30(60Hz) циклов (для 0°) $U_T \geq 95\%$ , 250(50Hz)/300(60Hz) циклов	Качество основного источника электропитания должно соответствовать нормам для коммерческих или лечебных учреждений. Устройство отключается и повторно запускается при каждом падении напряжения. В этом случае удается избежать недопустимого падения давления.
Частота сети (50 / 60 Гц) IEC 61000-4-8	30 А/м	30 А/м	Магнитные поля промышленной частоты должны быть на уровне, характерном для типичного местоположения в типичном коммерческом или лечебном учреждении
ПРИМЕЧАНИЕ. $U_T$ — напряжение главного источника питания переменного тока до применения степени жесткости испытаний.			

**Руководство и заявление производителя: электромагнитная устойчивость**

Для IEC 60601-1-2:2014 - Изделия медицинские электрические. Часть 1-2. Общие требования безопасности с учетом основных функциональных характеристик. Параллельный стандарт. Электромагнитные помехи. Требования и испытания.

Устройство предназначено к использованию в электромагнитной обстановке, как указано ниже. Покупатель или пользователь устройства должен обеспечить эксплуатацию устройства в таких условиях.

Испытание устойчивости	Степень жесткости испытания согласно IEC 60601-1-2	Уровень соответствия	Электромагнитная обстановка: руководство
<p>Наведенные РЧ-поля IEC 61000-4-6</p> <p>Радиочастотное электромагнитное поле IEC 61000-4-3</p> <p>Поля близости от радиочастотных беспроводных коммуникационных Устройств IEC 61000-4-3</p>	<p>3 В среднеквадратическое напряжение от 150 кГц до 80 МГц</p> <p>3 В/м от 80 МГц до 2,7 ГГц</p> <p>9 до 28 В/м 15 специфических частот (380 до 5800 MHz)</p>	<p>3 В среднеквадратическое напряжение</p> <p>3 В/м</p> <p>9 до 28 В/м 15 специфических частот (380 до 5800 MHz)</p>	<p>Портативное и мобильное радиооборудование не рекомендуется использовать возле любой части устройства, включая кабели, ближе рекомендованного расстояния, рассчитанного в уравнении на основе частоты передатчика. <b>Рекомендуемое расстояние</b> <math>d = 1,2\sqrt{P}</math></p> <p><math>d = 1,2\sqrt{P}</math>, от 80 МГц до 800 МГц</p> <p><math>d = 2,3\sqrt{P}</math>, от 800 МГц до 2,7 ГГц</p> <p>Здесь P — максимальная номинальная мощность передатчика на выходе в ваттах (Вт) согласно данным производителя, а d — рекомендованное расстояние в метрах (м).</p> <p>Напряженность поля, создаваемая постоянными РЧ-передатчиками и определяемая в результате практического измерения электромагнитного поля<sup>a</sup>, должна быть меньше, чем значения для уровня соответствия в каждом диапазоне частот.<sup>b</sup> Помехи могут возникать поблизости от оборудования, отмеченного таким знаком:</p> 

ПРИМЕЧАНИЕ 1. В диапазоне частот от 80 МГц до 800 МГц применяется большее значение.

ПРИМЕЧАНИЕ 2. Данные руководства применимы не во всех ситуациях. Поглощение и отражение электромагнитных волн зданиями, объектами и людьми влияют на их распространение.

<sup>a</sup> Напряженность поля от постоянных передатчиков, например базовых станций радиотелефонов (мобильных или беспроводных) и сухопутных систем подвижной радиосвязи, радиолюбительской связи, AM- и FM-радиостанций и телевизионных вышек, нельзя точно рассчитать в теории. Чтобы оценить электромагнитную обстановку вблизи от постоянных РЧ-передатчиков, необходимо провести практические измерения электромагнитного поля. Если измеренная напряженность поля в месте, где используется

устройство превышает применимый уровень соответствия устойчивости к РЧ-помехам, указанный выше, необходимо внимательно следить за функционированием устройства, чтобы обеспечить нормальную работу. Если наблюдаются неполадки в работе устройства, могут понадобиться дополнительные меры, например перестановка или перемещение устройства.

<sup>b</sup> За пределами диапазона частот от 150 кГц до 80 кГц напряженность поля должна быть менее 3 В/м.



## 8. ОПИСАНИЕ ИЗДЕЛИЯ

### 8.1. Варианты исполнения

Модели компрессоров имеют указанные ниже варианты исполнения.

<b>DUO</b>	Компрессоры этой модели используются для стоматологических установок, оснащенных вакуумным устройством и разработанных для установки в медицинском кабинете
<b>DUO 2</b>	Модели, предназначенные для работы со стоматологическими установками, оснащенными вакуумным устройством. Рассчитаны на подачу воздуха в две стоматологические установки (рабочие станции)
<b>DUO 2V</b>	Модели, предназначенные для работы со стоматологическими установками, оснащенными вакуумным устройством. Рассчитаны на подачу воздуха в установки, потребляющие повышенное количество сжатого воздуха
<b>DUO/M</b>	Модель, идентичная модели DUO, но оснащенная мембранным осушителем
<b>DUO 2V/M</b>	модель, идентичная модели duo 2v, но оснащенная мембранным осушителем
<b>DUO 2/M</b>	Модель, идентичная модели DUO 2, но оснащенная мембранным осушителем



**DUO**



**DUO 2V**



**DUO 2**

### 8.2. Принадлежности

Принадлежности, не входящие в стандартный заказ, необходимо приобретать дополнительно.

#### 8.2.1. Система автоматического слива конденсата

Система автоматического слива конденсата (АОК) автоматически отводит конденсат из ресивера компрессора с заданной периодичностью. Система слива конденсата (АОК) рассчитана на модели компрессоров без осушителей.

Тип	Модели, в которых используется	Артикул комплекта
АОК 11	DK50 PLUS DK50 2V	447000001-047

### 8.2.2. Комплект регулятора давления

Компрессор можно оснастить регулятором давления на выходе сжатого воздуха (если указана такая возможность). Регулятор поддерживает постоянное давление на выходе. Комплекты регуляторов можно устанавливать на все указанные выше компрессоры.

Тип	Модели, в которых используется	Артикул комплекта
REG11	DK50 PLUS, DK50 PLUS/M DK50 2V, DK50 2V/M	447000001-077

### 8.2.3. Комплект фильтров

Компрессоры можно оснастить комплектом фильтров на выходе сжатого воздуха (если указана такая возможность). Комплект фильтров можно оснастить регулятором давления. Комплекты фильтров — это принадлежности, предназначенные для всех перечисленных выше компрессоров.

**ПРИМЕЧАНИЕ.** Если требуется более высокая степень фильтрации воздуха, то эту техническую характеристику необходимо согласовать с поставщиком и четко указать в заказе.

Тип	Модели, в которых используется	Степень фильтрации (µм)	Регулятор давления	Артикул комплекта
FS 30FR	DK50 PLUS DK50 2V	5	Да	447000001-079
FS 30M		5 + 0,3	Нет	447000001-080
FS 30MR		5 + 0,3	Да	447000001-081
FS 30S		5 + 0,3 + 0,01	Нет	447000001-082
FS 30SR		5 + 0,3 + 0,01	Да	447000001-083
FS 31S	DK50 PLUS/M DK50 2V/M	0,3 + 0,01	Нет	447000001-086
FS 31SR		0,3 + 0,01	Да	447000001-087
FS 31SR2		0,01	Да	447000001-130

### 8.2.4. Блок конденсации и фильтрации

Компрессор можно дополнительно укомплектовать блоком конденсации и фильтрации (KJF-1, KJF-2 или KJFR-1). Блоки KJF-1, KJF-2 и KJFR-1 обеспечивают охлаждение сжатого воздуха, поступающий из ресивера, в охладителе. При этом конденсат остается в фильтре и автоматически отделяется от системы распределения сжатого воздуха. Одновременно с этим происходит фильтрация сжатого воздуха.

Тип	Модели, в которых используется	Степень фильтрации (µм)	Регулятор давления	Артикул комплекта
KJF-1	DK50 PLUS	5	Нет	450001011-001
KJFR-1			Да	450001011-002
KJF-2	DK50 2V		Нет	450001021-001

### 8.2.5. Шумоподавитель

Шумоподавитель (с фильтром или без фильтра) снижает уровень свистящего шума, производимого крыльчаткой всасывающего насоса. Уменьшение общего шума во время работы вакуумного устройства достигает 4 дБ.

- Шумоподавитель с фильтром: в комплект поставки входит бактериологический фильтр, что позволяет установить компрессор непосредственно в офисе.

## DUO, DUO 2V, DUO 2

- Устанавливаемый на стене шумоподавитель: специально разработан для установки на стене.
- Устанавливаемый на стене шумоподавитель с фильтром: специально разработан для установки на стене и оснащен бактериологическим фильтром.

Тип	Вариант исполнения	Модели, в которых используется	Артикул комплекта
DS2	Устанавливается на стене, без бактериологического фильтра	DUO, DUO 2V, DUO2	451000Z01-004
DS2	Устанавливается на стене, с бактериологическим фильтром		451000Z01-005
DS4	С бактериологическим фильтром	DUO, DUO 2V	451000Z01-006
DS5	С бактериологическим фильтром	DUO2	451000Z01-007
DS6	Без бактериологического фильтра	DUO, DUO 2V	451000Z01-008
DS7	Без бактериологического фильтра	DUO2	451000Z01-009

### 8.2.6. Розетка для эквипотенциального соединения

Эта розетка позволяет выполнить эквипотенциальное соединение (рис. 10).

Тип	Модели, в которых используется	Название	Артикул
POAG-KBT6-EC	DUO, DUO 2V, DUO2	Разъем для сетевого штепселя	033400075-000
FLEXI-S/POAG-HK6		Проводник (1 м)	034110083-000

## 9. ПРИНЦИП ДЕЙСТВИЯ ИЗДЕЛИЯ

### Компрессор с отсасывающим устройством (рис. 1)

Агрегат компрессора (1) всасывает атмосферный воздух через входной фильтр (8) и нагнетает его через обратный клапан (3) в ресивер (2), из которого сжатый воздух поступает на различные устройства. Если давление в ресивере падает до уровня включения, реле давления (4) включает компрессор. Последний подает сжатый воздух в ресивер, пока давление в последнем не повысится до уровня отключения, при котором компрессор отключается. После отключения компрессорного агрегата давление в напорном шланге сбавляется через электромагнитный клапан (13). Предохранительный клапан (5) позволяет поддерживать в ресивере давление, не превышающее максимально допустимого значения. Конденсат из ресивера сливается через сливной кран (7). Сжатый, отфильтрованный и безмасленный воздух сохраняется в ресивере и готов к использованию. Конденсат из ресивера необходимо сливать регулярно (см. раздел 19.1).

Вакуумный агрегат (36) (два агрегата в модели DUO2) всасывает воздух, создавая вакуум в линиях всасывания, подключенных к устройству, и является источником вакуума для удаления посторонних веществ из рабочей области врача. Затем этот воздух выходит через выпускную линию, проложенную за пределами рабочей области оператора.

### Компрессор с отсасывающим устройством с мембранным осушителем (рис.2)

Агрегат компрессора (1) всасывает атмосферный воздух через фильтр на входе (8) и нагнетает его в охладитель (14), после чего он через фильтр (15) и обратный клапан (3)

поступает в осушитель (9). Оттуда сухой чистый воздух поступает в ресивер (2). Часть воздуха с уловленной влагой выпускается из осушителя и слабым потоком подается вдоль корпуса осушителя (9). С определенной периодичностью конденсат из фильтра автоматически сливается в резервуар через электромагнитный клапан для слива конденсата (16). Осушитель обеспечивает непрерывное осушение сжатого воздуха. Когда процесс осушения зафиксирован, конденсат из ресивера сливается через сливной кран (7). Сжатый, отфильтрованный и безмасленный воздух сохраняется в ресивере и готов к использованию.

Чтобы мембранный осушитель действовал как положено, он должен быть присоединен к ресиверу непосредственно, без использования обратного клапана. Поскольку мембранный осушитель содержит волокна селективной мембраны, через них происходит незначительная утечка воздуха (около 0,5 бар / 30 мин).

По этой причине, даже если нет расхода сжатого воздуха (из ресивера), давление медленно и постепенно падает, однако это не означает неисправность.

Из резервуара высокого давления не требуется сливать конденсат.

Вакуумный агрегат (36) (два агрегата в модели DUO2) всасывает воздух, создавая вакуум в линиях всасывания, подключенных к устройству, и является источником вакуума для удаления посторонних веществ из рабочей области врача. Затем этот воздух выходит через выпускную линию, проложенную за пределами рабочей области оператора.

### Шкаф компрессора (рис. 3)

Звуконепроницаемый шкаф служит компактным корпусом компрессора и обеспечивает воздухообмен, необходимый для охлаждения. Благодаря дизайну шкафа его можно разместить в кабинете стоматолога в качестве предмета мебели. Вентилятор, расположенный под агрегатом компрессора, охлаждает компрессор и вращается в то время, когда работает электродвигатель компрессора. После длительного использования компрессора температура в шкафу может подняться выше 40 °С, при этом автоматически включается охлаждающий вентилятор. После охлаждения внутренней части шкафа до 32 °С вентилятор автоматически выключается. Дверцу шкафа, открывающуюся вправо, можно перевесить, чтобы она открывалась влево (см. раздел 12.2).



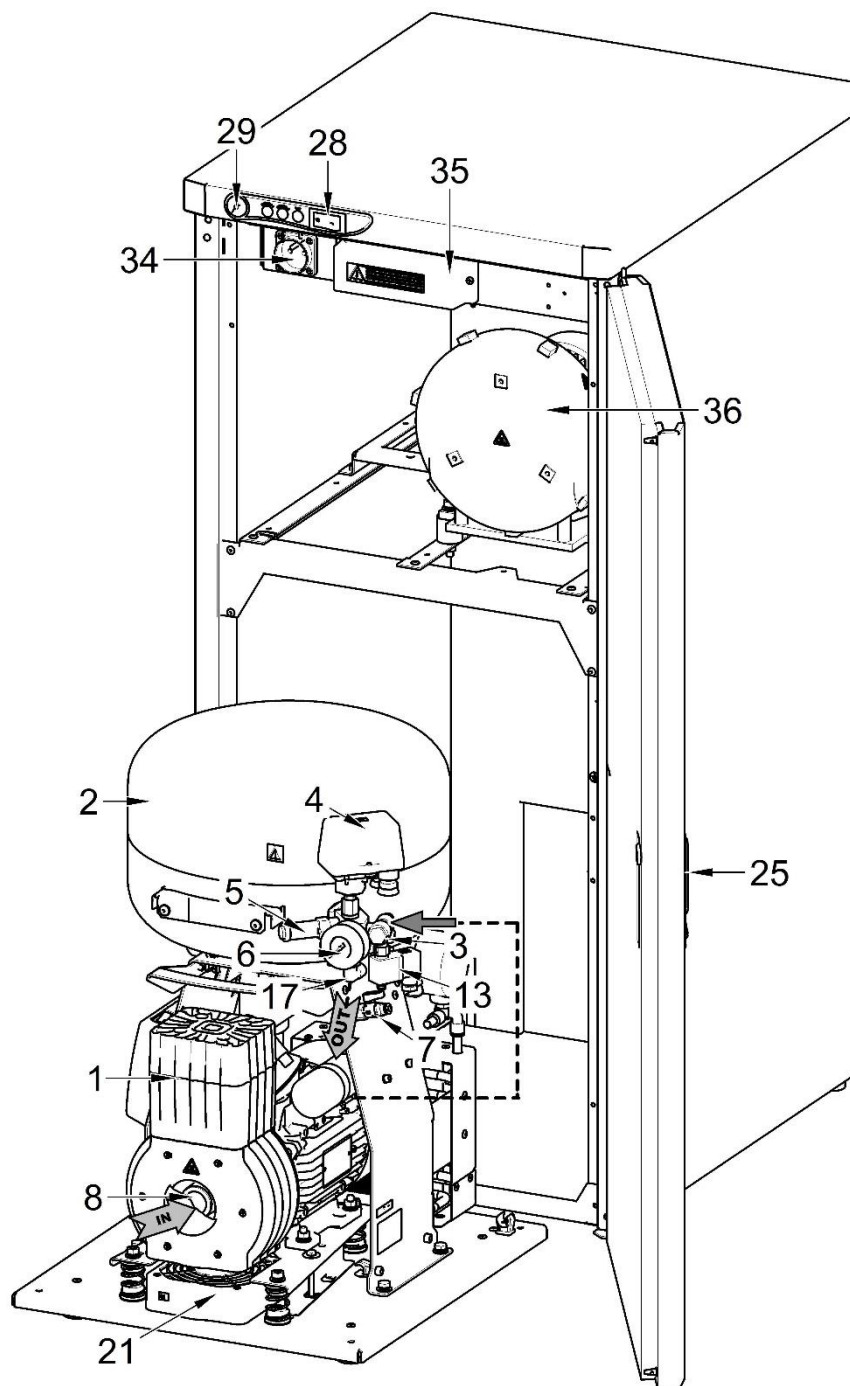
**Убедитесь, что нет препятствий для свободной циркуляции воздуха вокруг компрессора и под ним. Запрещается перекрывать выход горячего воздуха в верхней задней части корпуса.**



**При размещении компрессора на мягком полу, например на ковре, необходимо оставить зазор для вентиляции между основанием компрессора и полом. Для этого можно использовать опоры с твердыми прокладками.**

Рис.1 - DUO - Компрессор с отсасывающим устройством

Описание для рисунков 1– 3



1. Агрегат компрессора
2. Ресивер
3. Обратный клапан
4. Реле давления
5. Предохранительный клапан
6. Манометр
7. Кран слива
8. Входной фильтр
9. Осушитель
10. -
11. -
12. -
13. Электромагнитный клапан
14. Охладитель осушителя
15. Фильтр
16. Электромагнитный клапан слива конденсата
17. Выпускной воздуховод сжатого воздуха
18. Автоматический выключатель
19. Резервуар
20. Магнитный держатель
21. Вентилятор
22. Вентилятор шкафа
23. Штифт дверцы
24. Винт для выравнивания шкафа
25. Замок
26. Опорный кронштейн
27. Проставки для опоры на стену
28. Выключатель
29. Манометр
30. Петля дверцы
31. Ручка
32. Ролики
33. Шланг манометра
34. Розетка
35. Реле вакуумного устройства
36. Вакуумное устройство

Рис. 2 - DK50 2V/M - Компрессор с мембранным осушителем

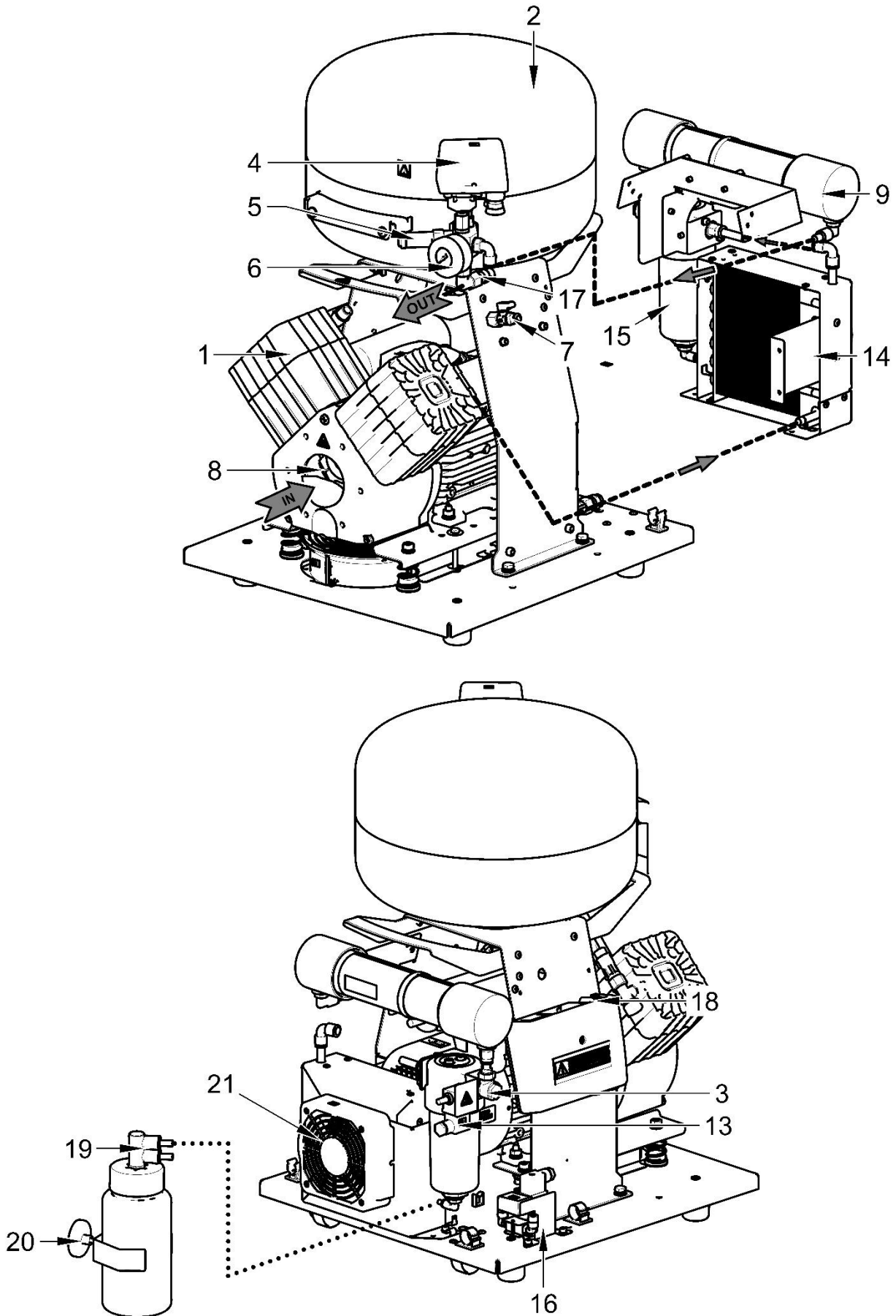
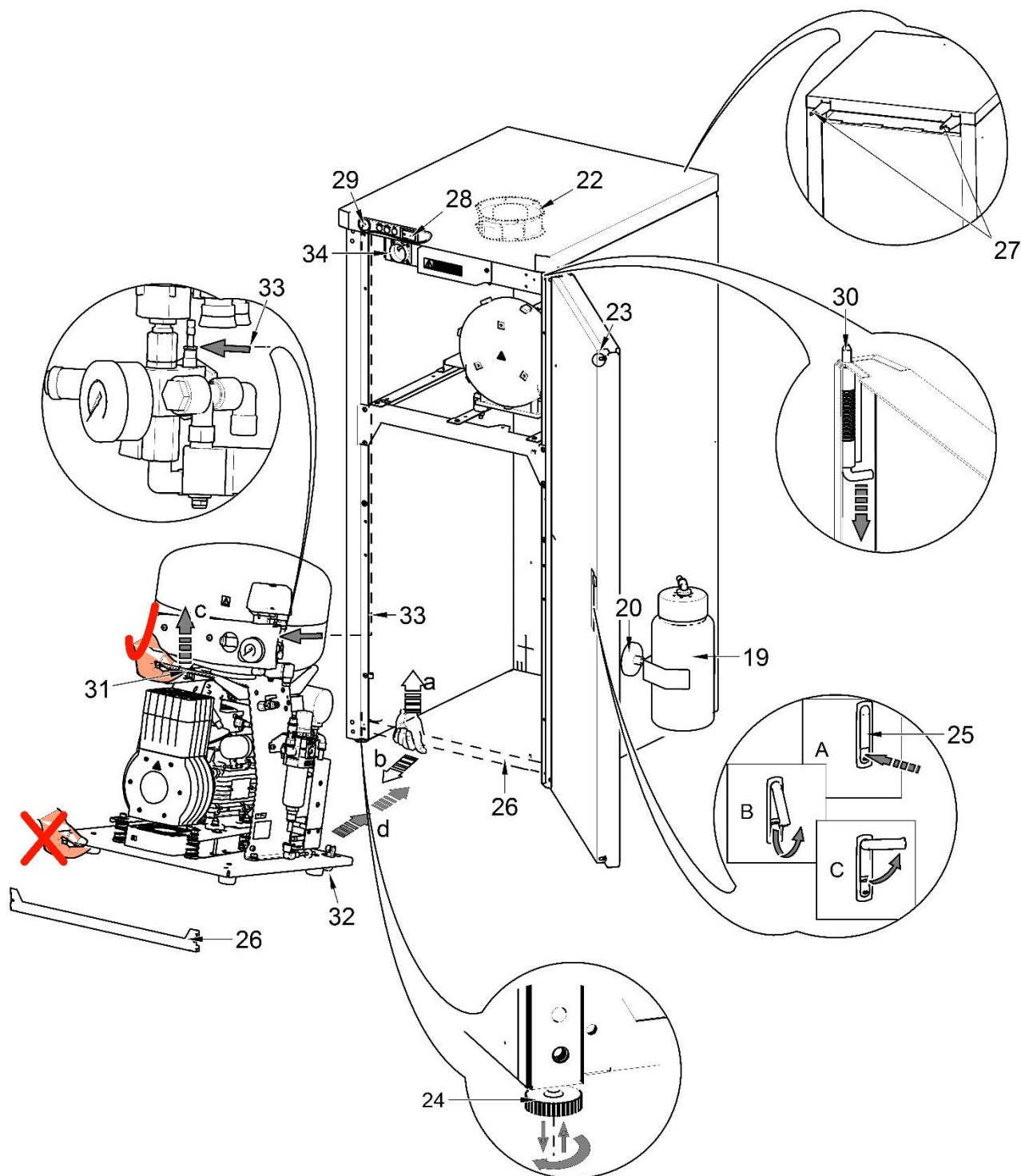
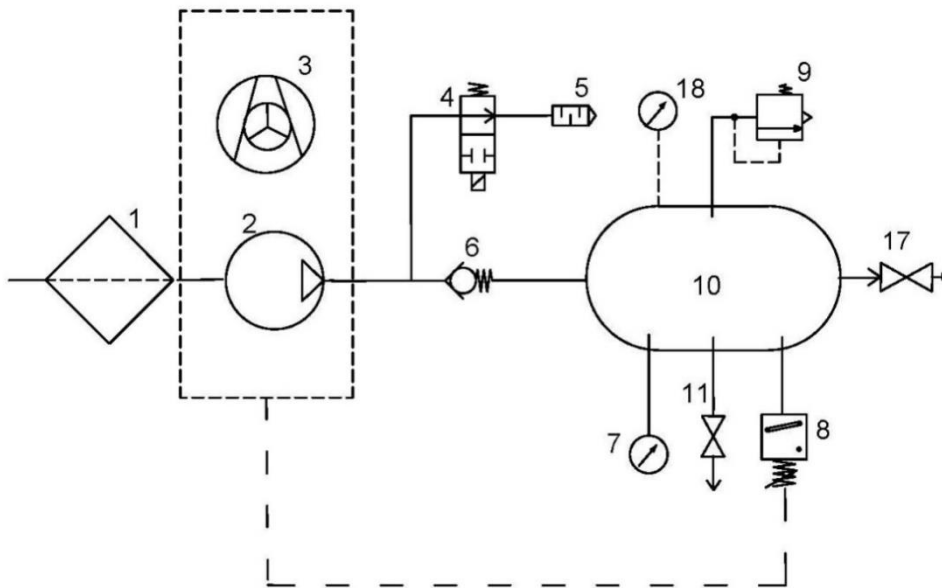


Рис. 3. - Шкаф DUO

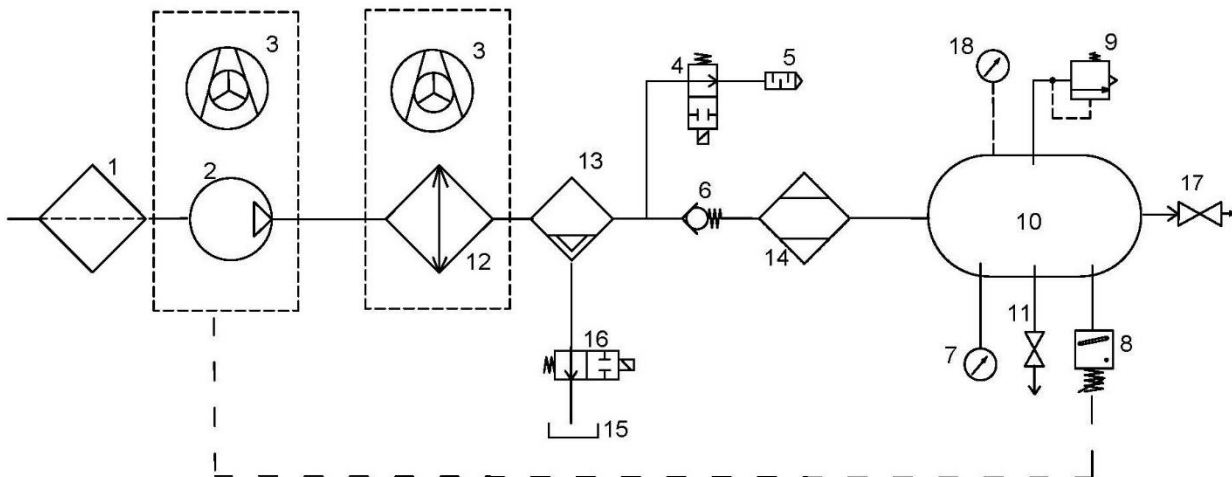


10. СХЕМА ВОЗДУШНОЙ СИСТЕМЫ

DK50 PLUS, DK50 2V



DK50 PLUS/M, DK50 2V/M



Условные обозначения на схеме циркуляции сжатого воздуха

- |                             |                                              |
|-----------------------------|----------------------------------------------|
| 1. Входной фильтр           | 10. Ресивер                                  |
| 2. Компрессор               | 11. Кран слива                               |
| 3. Вентилятор               | 12. Охладитель                               |
| 4. Электромагнитный клапан  | 13. Коагуляционный фильтр                    |
| 5. Шумогаситель             | 14. Мембранный осушитель                     |
| 6. Обратный клапан          | 15. Резервуар для сбора конденсата           |
| 7. Манометр                 | 16. Электромагнитный клапан слива конденсата |
| 8. Реле давления            | 17. Запорный клапан                          |
| 9. Предохранительный клапан | 18. Манометр шкафа                           |



## УСТАНОВКА

### 11. УСЛОВИЯ ЭКСПЛУАТАЦИИ

- Устройство можно устанавливать и эксплуатировать только в сухих, хорошо вентилируемых и чистых помещениях, условия окружающей среды в которых соответствуют требованиям, указанным в разделе 7 «Технические характеристики». Компрессор следует установить в месте, доступном для эксплуатации и технического обслуживания. Убедитесь, что табличка на устройстве находится на виду.
- Устройство следует располагать на плоской и устойчивой поверхности с учетом массы компрессора (см. раздел 7 «Технические характеристики»).
- Устройство нельзя эксплуатировать на открытом воздухе или во влажных либо сырых средах. Запрещается применять компрессор в помещениях с наличием взрывоопасных газов, пыли или воспламеняющихся жидкостей.
- Перед подключением компрессора к медицинскому оборудованию поставщик должен проверить его соответствие всем требованиям. Для этого см. технические характеристики этого изделия. В случае встроенной установки классификацию и оценку соответствия должен осуществить производитель или поставщик изделия.
- Использование при каких-либо других условиях либо при условиях, которые выходят за данные рамки, считается ненадлежащим. Производитель не несет ответственность за ущерб, вызванный таким использованием. Все риски принимает на себя оператор или пользователь.



Установку компрессора и ввод его в эксплуатацию должен выполнять только квалифицированный специалист. Этот специалист должен обучить представителей обслуживающего персонала эксплуатации и техническому обслуживанию устройства. Установка оборудования и подготовка всех операторов должна быть подтверждена подписью установщика на свидетельстве об установке.



Перед установкой необходимо устранить все элементы упаковки и стабилизаторы, служащие для фиксации оборудования во время транспортировки, во избежание опасности повреждения изделия.



Во время работы компрессора некоторые части агрегата и вакуумное устройство могут нагреваться до высоких температур и представлять опасность для операторов или материалов. Опасность ожогов или возгорания. Внимание! Горячая поверхность!

### Условия окружающей среды при эксплуатации

Температура: от +5 °C до +40 °C  
Макс. относительная влажность: 70 %  
Макс. абсолютная влажность: 15 г/м<sup>3</sup>.

## 12. РАЗМЕЩЕНИЕ КОМПРЕССОРА



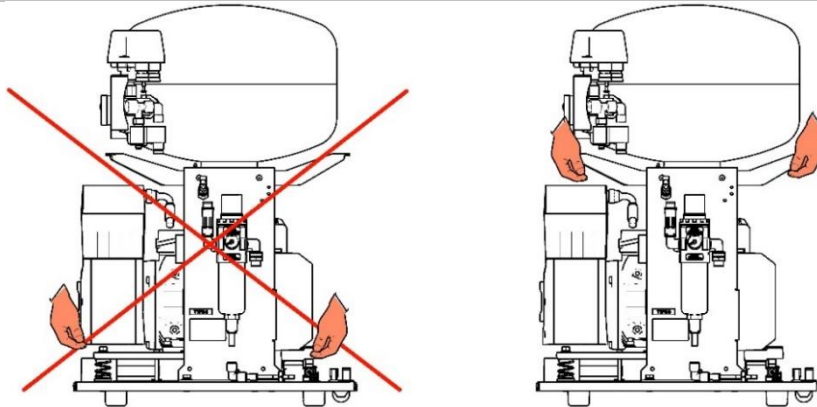
Установку устройства должен выполнять только квалифицированный специалист.

- Извлеките компрессор из упаковки.

### 12.1. Перемещение и выгрузка компрессора

- Расположите компрессор в месте будущей эксплуатации (рис. 4).

Рис. 4

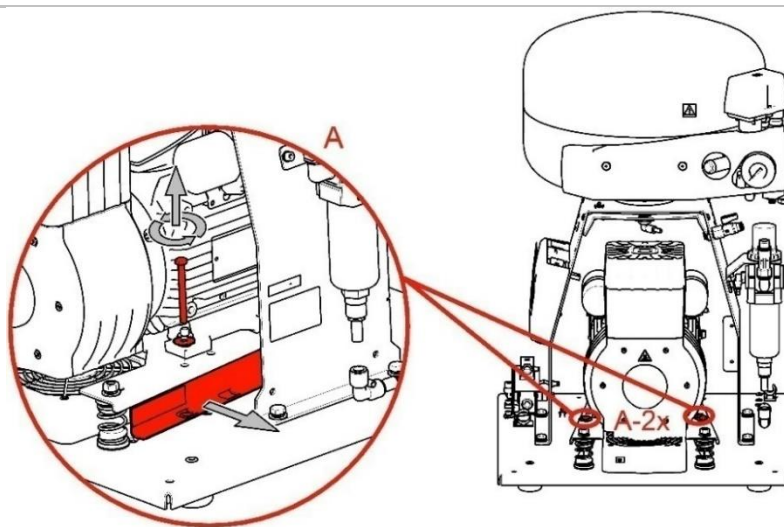


- Демонтируйте транспортировочные стабилизаторы с агрегатов (рис. 5).



После монтажа компрессорной установки демонтируйте все приспособления, использовавшиеся для защиты агрегатов компрессора.

Рис. 5

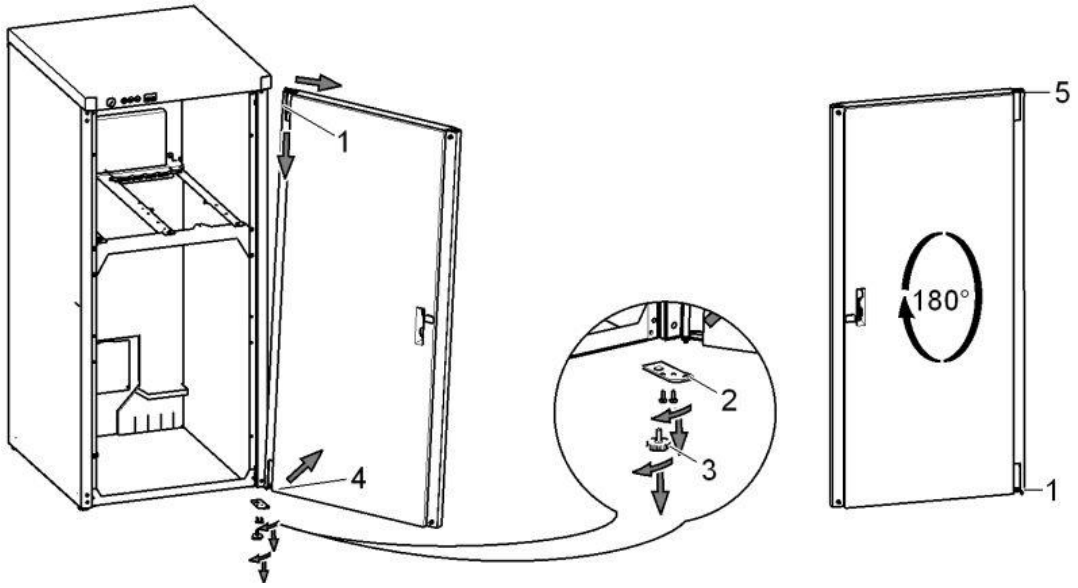


### 12.2. Изменение направления открывания дверцы

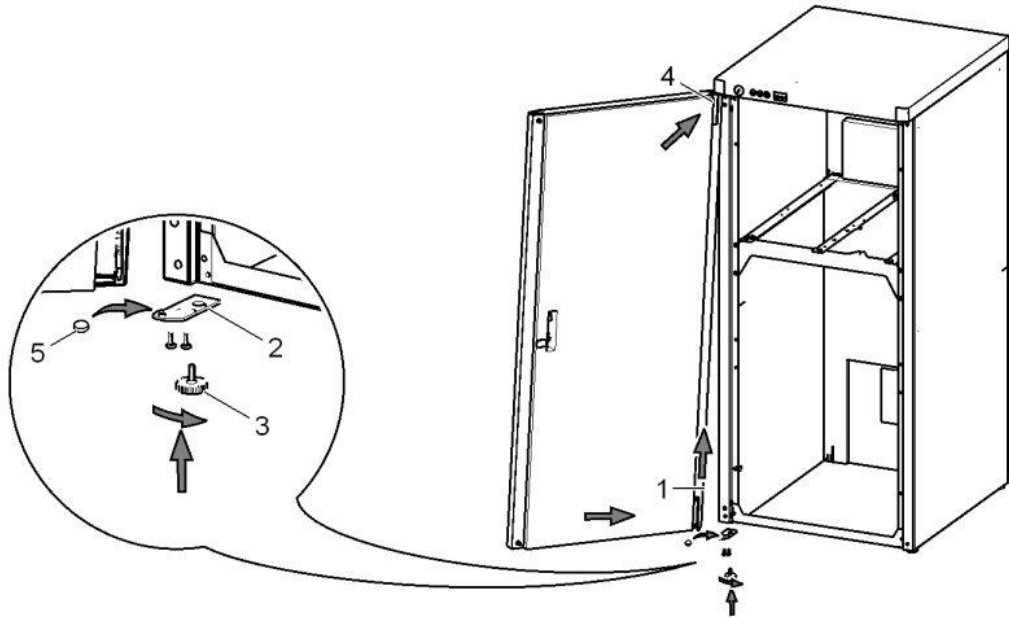
- Снимите дверцу, винт для выравнивания шкафа (3) и кронштейн (2) для петли D (4).
- Установите кронштейн для петли D (2) на левую сторону шкафа.
- Поверните дверцу на 180°.
- Вставьте прокладку (5) между петлей H (1) и нижней частью дверцы.
- Установите дверцу.
- Снимите замок (6) дверцы и поверните его на 180°.
- Снимите защелку (7) и поверните ее на 180°.
- Установите замок.

DUO, DUO 2V, DUO 2

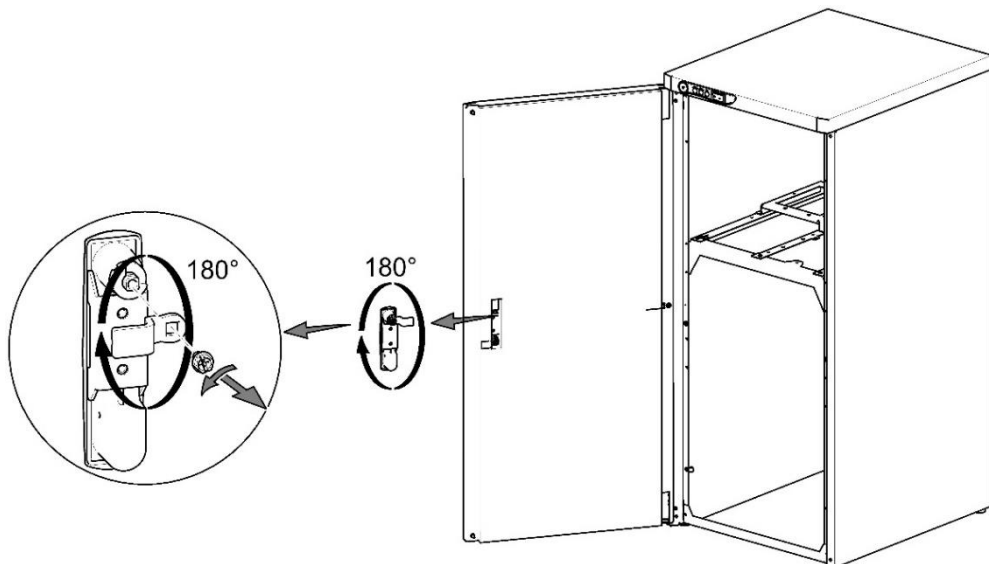
A



B

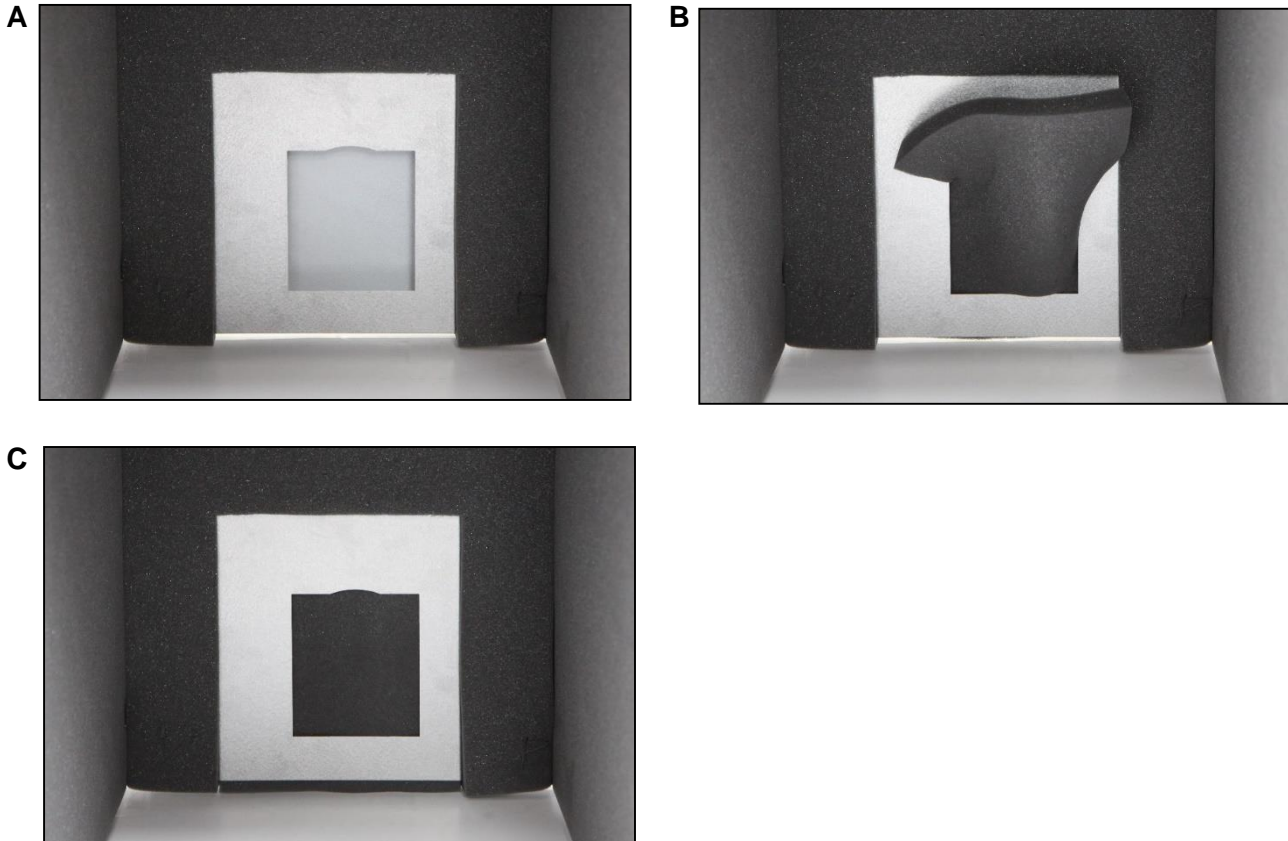


C



### 12.3. Установка в шкаф звукоизолирующего материала

В проеме шкафа компрессора (для моделей компрессоров без осушителя) следует установить компонент из звукоизолирующего материала. Этот компонент поставляется в базовой комплектации изделия.



## 13. ПНЕВМАТИЧЕСКИЕ СОЕДИНЕНИЯ

### 13.1. Подключение к выпускному воздухопроводу сжатого воздуха(рис. 6)

Напорная линия (2) подключена к выпускному воздухопроводу сжатого воздуха (1) на компрессоре. Подключите шланг к коллектору сжатого воздуха либо непосредственно к стоматологической установке.

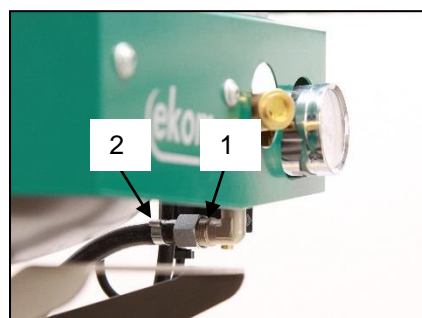


Рис. 6



Для компрессоров, смонтированных в шкафах, проложите напорный шланг через отверстие в задней стенке шкафа. (рис. 8)

### 13.2. Подключение манометра шкафа к компрессору (рис. 7)

Снимите заглушку (1) с резьбы (2) на пневматическом блоке компрессора. Подключите напорный шланг шкафа к фитингу с резьбой.

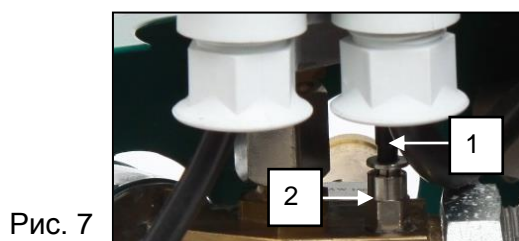
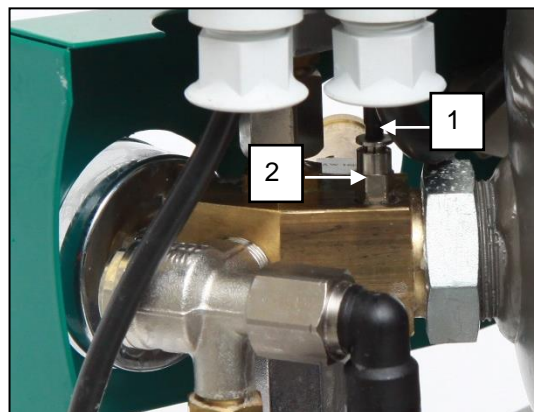


Рис. 7



### 13.3. Подключение резервуара для конденсата (рис. 8)

- Проведите шланг (1) через отверстие в задней стенке шкафа (для моделей компрессоров с осушителем) и присоедините его к резервуару.

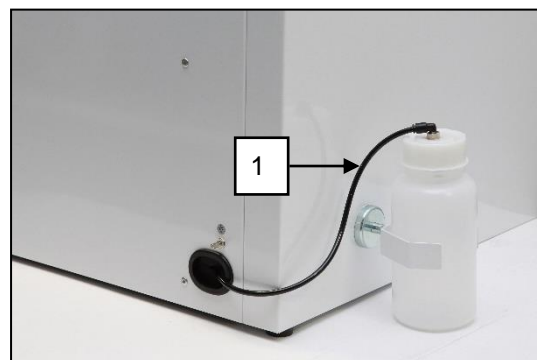


Рис. 8

### 13.4. Вакуумный соединитель

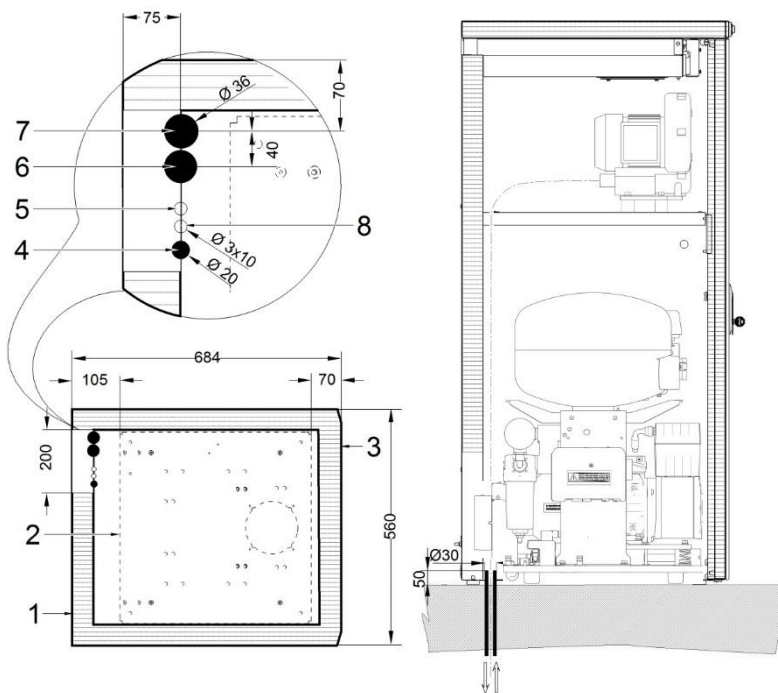
(рис. 9)

Вакуумный агрегат оснащен шлангами линий всасывания и нагнетания. Шланги, подключенные ко входу и выходу вакуумного агрегата, проложены вдоль задней стенки шкафа к его нижней части. Шланги вакуумного агрегата можно подключить к трубопроводу в шкафу или провести через отверстие в задней стенке шкафа (10). Подключите всасывающий шланг к устройству, а нагнетательный шланг — к трубопроводу, проведенному за пределами рабочей области оператора. К выходу вакуумного устройства можно подключить шумоподавитель для уменьшения шума, возникающего из-за воздуха, который проходит по шлангу (см. раздел 8.2. «Принадлежности»). Если воздух, выходящий из вакуумного устройства, поступает в помещение, необходимо установить шумоподавитель с бактериологическим фильтром.



**Опасность биологического загрязнения. Выпускной шланг всасывающего насоса необходимо проложить за пределами рабочей зоны оператора. В противном случае необходимо использовать дополнительное оборудование — шумоподавитель с бактериальным фильтром.**

Рис. 9А- Установка DUO, DUO 2V (система распределения находится в полу)



- 1 — схема корпуса
- 2 — схема основания
- 3 — передняя часть, дверца
- 4 — соединение для сжатого воздуха G3/8"
- 5 — вход системы управления вакуумного устройства 2 А x 0,75
- 6 — вход вакуумного устройства
- 7 — выход вакуумного устройства
- 8 — блок питания 230 В, 50 (60) Гц, 3G x 1,5
- 9 — система слива конденсата для варианта исполнения с осушителем

-Все размеры указаны в миллиметрах  
 -Расстояние от задней стенки изделия до препятствия или стены — не менее 100 мм

(Подключено через отверстие в задней стенке шкафа)

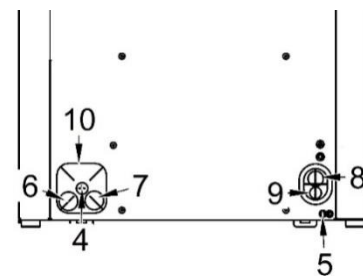
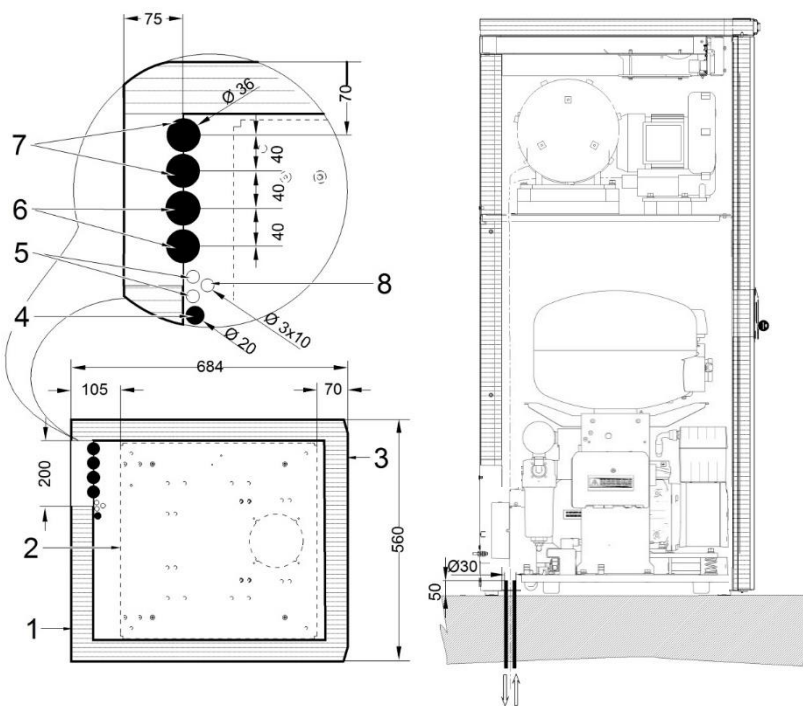


Рис. 9В - Установка DUO 2 (система распределения находится в полу)



- 1 — компоновка шкафа
- 2 — компоновка основания
- 3 — передняя часть, дверца
- 4 — соединитель для сжатого воздуха G3/8"
- 5 — подача управляющего напряжения на вакуумное устройство (2 А x 0,75)
- 6 — воздухозаборник и выпускное отверстие 1-го вакуумного устройства
- 7 — воздухозаборник и выпускное отверстие 2-го вакуумного устройства (DUO 2)
- 8 — подача электропитания 230 В, 50 (60) Гц 3Gx 1,5

-Все размеры указаны в миллиметрах.  
 -Расстояние от стены: не менее 100 мм.

## 14. ЭЛЕКТРИЧЕСКИЕ СОЕДИНЕНИЯ

Изделие поставляется в комплекте с заземленной вилкой. Вставьте вилку в розетку номинального напряжения.



**Убедитесь, что полностью соблюдены все местные электротехнические правила и нормы. Напряжение и частота электросети должны соответствовать данным, указанным на этикетке устройства.**

- Розетка должна находиться в легкодоступном месте, чтобы в экстренной ситуации можно было безопасно отключить устройство от сети.
- Сила тока, поступающего из распределительного шкафа, не должна превышать 16 А.
- Подключите контакт ( $\varnothing$  6 мм) (1) для эквипотенциального соединения к электрической сети, используя метод, указанный в действующих нормативных актах в области электротехники. Розетка для эквипотенциального соединения (2) — это дополнительная принадлежность, она не входит в базовый комплект поставки (рис. 10).

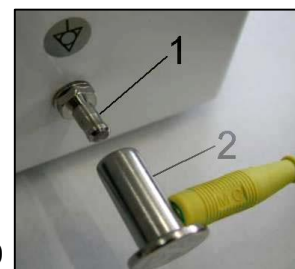


Рис. 10



**Не допускайте контакта электрического кабеля с нагревающимися компонентами компрессора. Опасность поражения электрическим током!**



**Любой поврежденный электрический шнур или воздушный шланг необходимо немедленно заменить.**

Проведите сетевой шнур через отверстие в задней стенке шкафа или подключите его к выходу в полу (рис. 8, 9).

### 14.1. Разъем системы управления вакуумного устройства

(рис. 11).

Проведите шнур питания (12) системы управления вакуумным устройством (24 В постоянного или переменного тока) через отверстие в задней стенке шкафа (1) или через трубопровод в полу (11) и зафиксируйте его зажимами (2), расположенными на левой панели шкафа в нижней его части, а также через полость (3) на передней стенке шкафа. Прежде чем вставить шнур в зажимы, переместите звукоизоляцию (4) из углов шкафа. Снимите крышку с кабелепровода электрической цепи (5) и крышку электрической панели (6). Подключите шнур системы управления вакуумного устройства к печатной плате, как показано на принципиальной схеме, вставьте его в полость (3) в передней части шкафа за звукоизоляцией в боковой части шкафа и в кабелепровод электрической цепи (7).



**Не допускайте контакта электрического кабеля с нагревающимися компонентами компрессора. Это может привести к повреждению изоляции кабеля.**

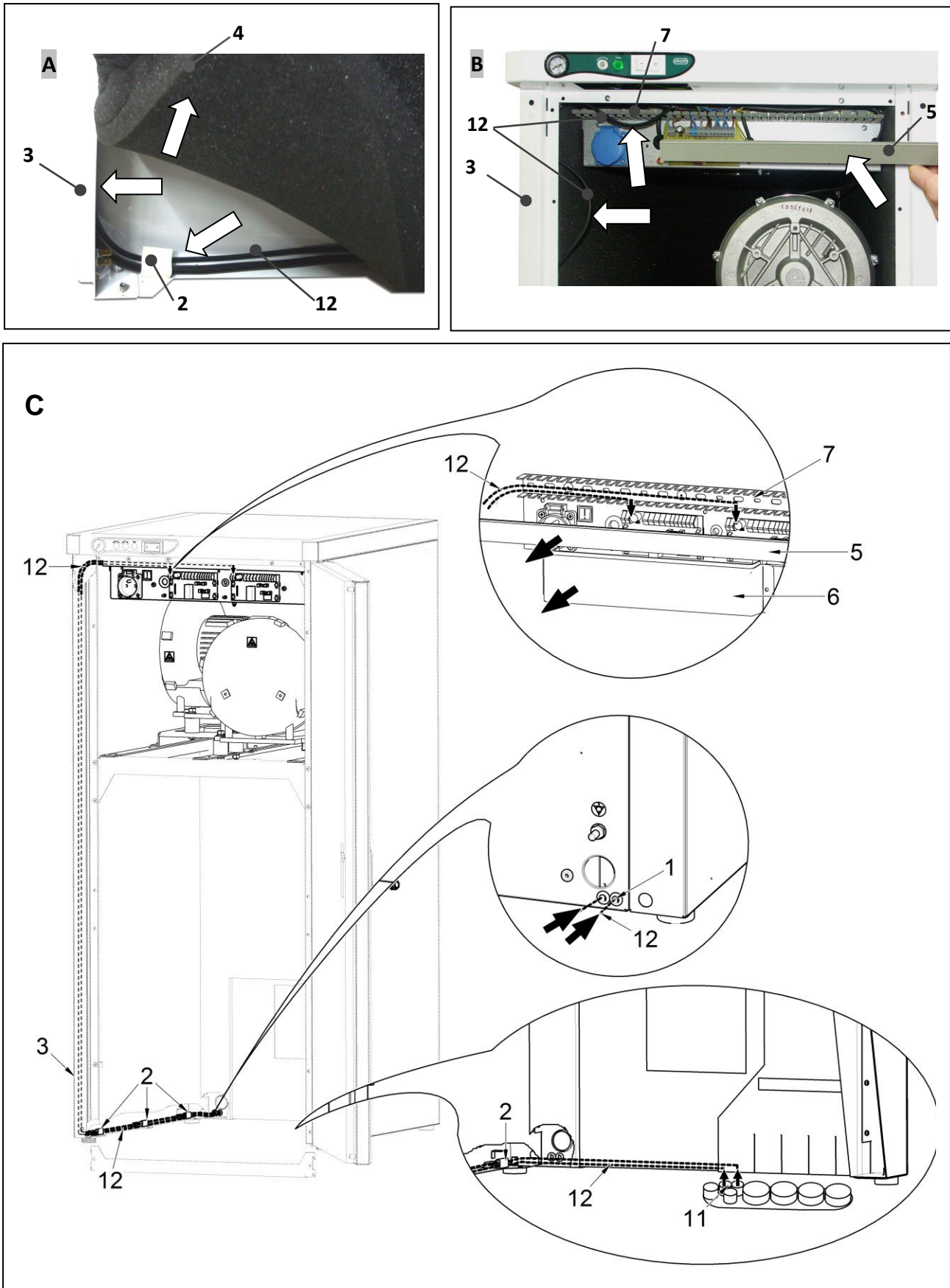


Рис.11



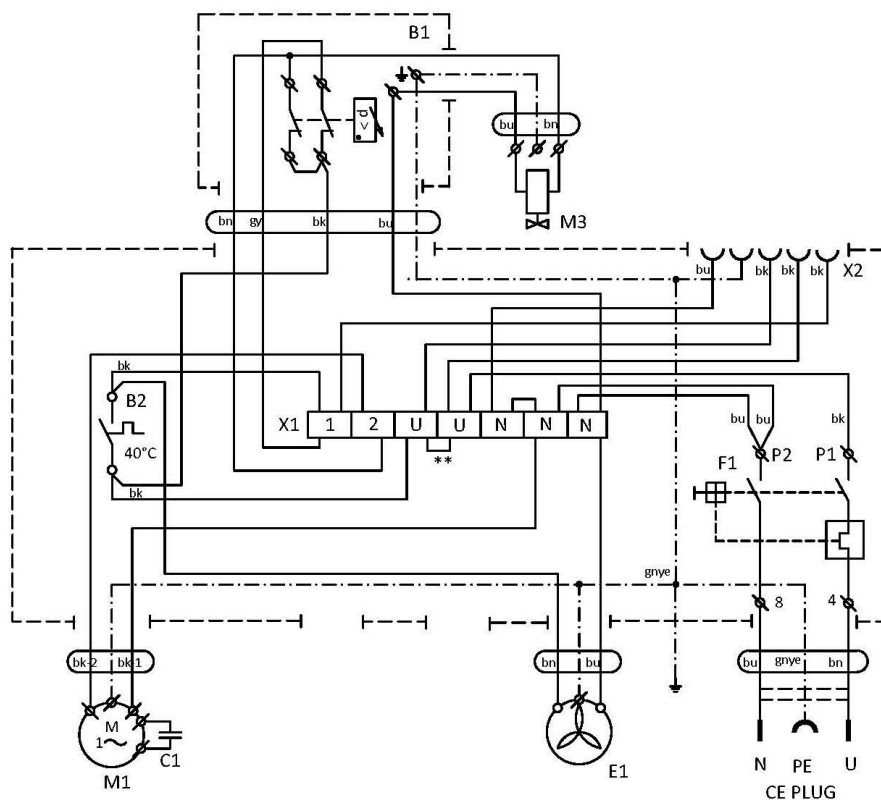
**15. СХЕМА ЭЛЕКТРИЧЕСКИХ СОЕДИНЕНИЙ**

**DK50 PLUS, DK50 2V**

**5-7 bar, 6-8 bar**

1/N/PE ~ 230V/50Hz, 230V/60Hz

ЭЛЕКТРИЧЕСКИЙ ОБЪЕКТ 1-й КАТЕГОРИИ

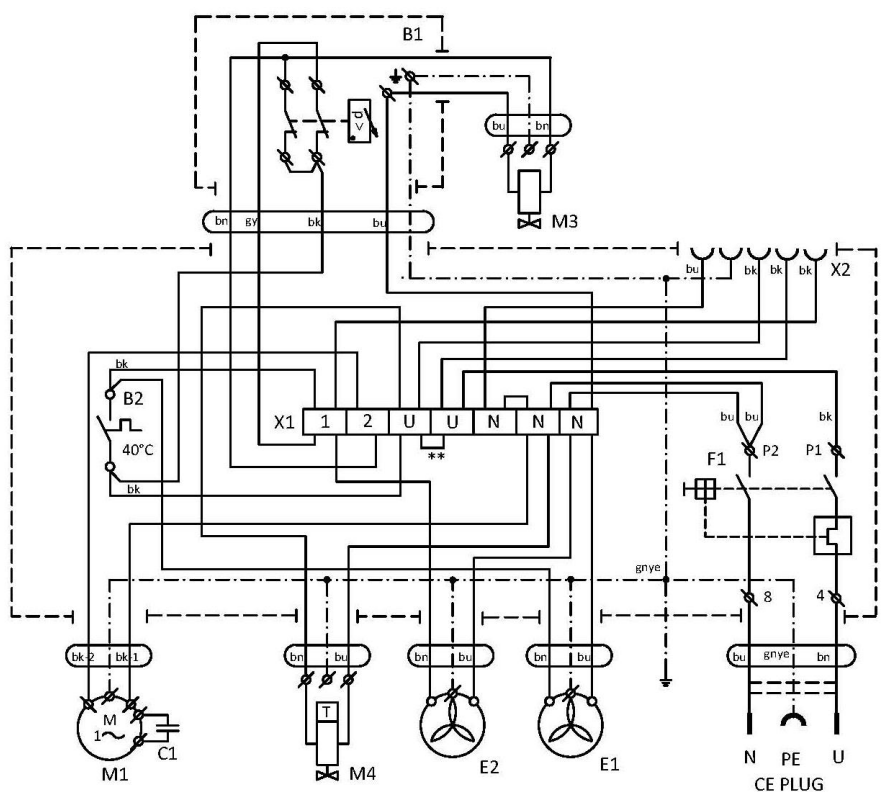


**DK50 PLUS/M, DK50 2V/M**

**5-7 bar, 6-8 bar**

1/N/PE ~ 230V/50Hz, 230V/60Hz

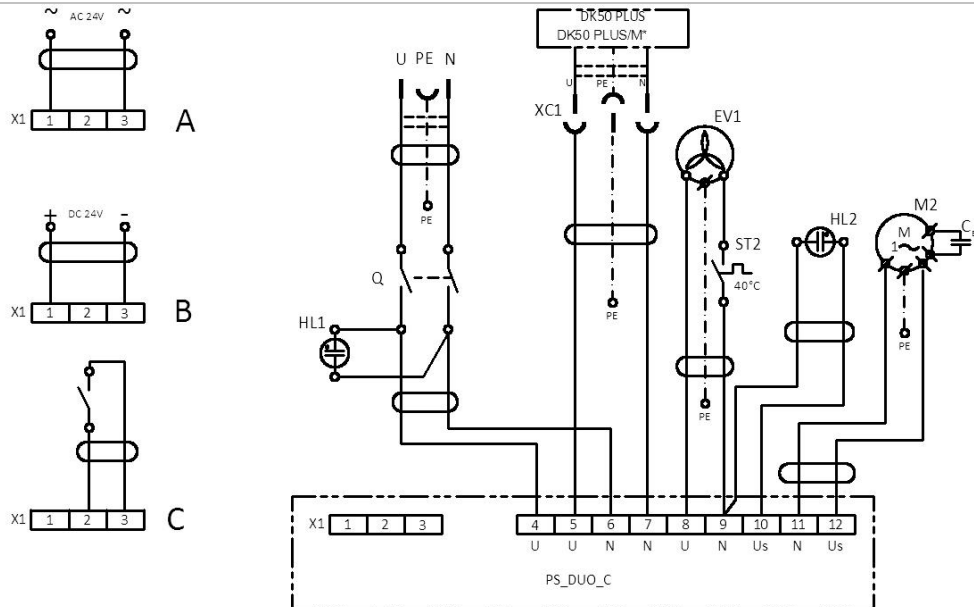
ЭЛЕКТРИЧЕСКИЙ ОБЪЕКТ 1-й КАТЕГОРИИ



**Шкаф Duo с вакуумным устройством**
**DUO**

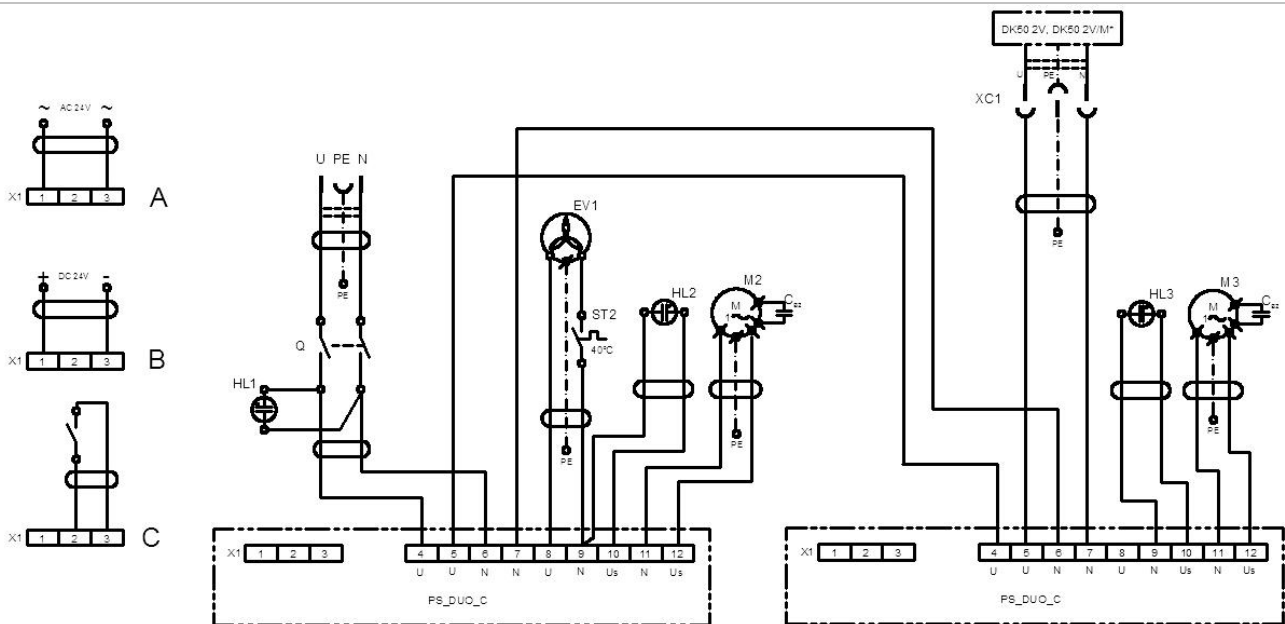
1/N/PE ~ 230V/50Hz, 230V/60Hz

ЭЛЕКТРИЧЕСКИЙ ОБЪЕКТ 1-й КАТЕГОРИИ


**DUO2, DUO 2V**

1/N/PE ~ 230V/50Hz, 230V/60Hz

ЭЛЕКТРИЧЕСКИЙ ОБЪЕКТ 1-й КАТЕГОРИИ


**Условные обозначения на электрической схеме**

M1	Двигатель компрессора	X1	Распределительная коробка
E1	Вентилятор компрессора	F1	Автоматический выключатель
E2	Вентилятор осушителя	M4	Клапан для слива конденсата
M3	Предохранительный клапан	XC1	Розетка
B2	Термореле	HL1, HL2	Индикаторы
EV1	Вентилятор шкафа	HL3	Индикаторы
X2	Разъем	M2, M3	Электродвигатель вакуумного устройства
C1, Cb	Конденсатор	ST2	Термореле
B1	Реле давления	Q	Выключатель

## ЭКСПЛУАТАЦИЯ



**ОБОРУДОВАНИЕ МОЖЕТ ОБСЛУЖИВАТЬ ТОЛЬКО ПЕРСОНАЛ, ПРОШЕДШИЙ ИНСТРУКТАЖ!**



**ПРИ ВОЗНИКНОВЕНИИ ЭКСТРЕННОЙ СИТУАЦИИ ОТКЛЮЧИТЕ КОМПРЕССОР ОТ ЭЛЕКТРОСЕТИ (ВЫТАЩИТЕ СЕТЕВУЮ ВИЛКУ).**



**НЕКОТОРЫЕ ПОВЕРХНОСТИ АГРЕГАТКОМПРЕССОРА СИЛЬНО НАГРЕВАЮТСЯ. ПРИКОСНОВЕНИЕ К ТАКИМ ПОВЕРХНОСТЯМ МОЖЕТ ПРИВЕСТИ К ОЖОГАМ ИЛИ ВОЗГОРАНИЮ.**



**При длительной работе компрессора и вакуумного устройства температура в шкафу может превышать 40 °С. При этом автоматически включается охлаждающий вентилятор. После охлаждения внутренней части шкафа до температуры ниже 32 °С вентилятор отключается.**



**Автоматический запуск: когда давление в ресивере понижается до уровня включения, компрессор автоматически включается. Компрессор автоматически выключается, когда давление в ресивере достигает уровня отключения.**



**Параметры рабочего давления для реле давления, заданные производителем, невозможно изменить. Работа компрессора при рабочем давлении ниже уровня включения свидетельствует о большом потреблении воздуха подключенным устройством (см. Раздел «УСТРАНЕНИЕ НЕИСПРАВНОСТЕЙ - Неисправности»).**



**Необходимая степень осушения воздуха достигается только при указанных условиях эксплуатации.**



**Степень осушения воздуха (и, соответственно, температура конденсации) снижается, если рабочее давление не достигает минимального!**



**ЕСЛИ ОСУШИТЕЛЬ РАБОТАЕТ ПРИ ТЕМПЕРАТУРЕ ОКРУЖАЮЩЕЙ СРЕДЫ, КОТОРАЯ ВЫШЕ МАКСИМАЛЬНОЙ РАБОЧЕЙ ТЕМПЕРАТУРЫ, ОСУШИТЕЛЬ МОЖЕТ ВЫЙТИ ИЗ СТРОЯ.**

## 16. ВВОД В ЭКСПЛУАТАЦИЮ

- Убедитесь, что сняты транспортные стабилизаторы.
- Проверьте надежность всех соединений на линии подачи сжатого воздуха.
- Убедитесь, что компрессор надлежащим образом подключен к источнику питания.
- Проверьте подключение шланга манометра шкафа к пневматическому блоку компрессора (рис. 3 и 7).
- Проверьте, вставлен ли шнур питания компрессора в розетку в шкафу (34) (рис. 3).
- Проверьте подключение шнура системы управления вакуумного устройства (12) (рис. 11).
- Проверьте подключение всасывающих и нагнетательных шлангов (рис. 9).
- Проверьте положение автоматического выключателя: он должен быть в положении I. Если выключатель (4) находится в положении 0, поверните его в положение I (рис. 12).
- Поверните выключатель (5) на передней стенке шкафа в положение I. Зеленый световой индикатор указывает, что устройство работает (рис. 12).



**Компрессор не укомплектован резервным источником питания.**

## 17. ВКЛЮЧЕНИЕ КОМПРЕССОРА

(рис. 12)

Запустите компрессор, расположенный на реле давления (1), повернув выключатель (2) в положение I. Проверьте положение автоматического выключателя: он должен быть в положении I. Если это не так, поверните выключатель (4) в положение I. Поверните выключатель (5) в передней части шкафа. Индикатор начнет светиться зеленым цветом. Компрессор начнет работать, ресивер наполнится, давление в нем достигнет уровня выключения, реле давления выключит компрессор. Затем компрессор будет работать в автоматическом режиме; реле давления будет включать и выключать его в зависимости от потребления сжатого воздуха.

Значения уровней давления включения и выключения можно проверить на манометре (3). Допускается погрешность до  $\pm 10\%$ . Давление воздуха в ресивере не должно превышать допустимое рабочее давление.

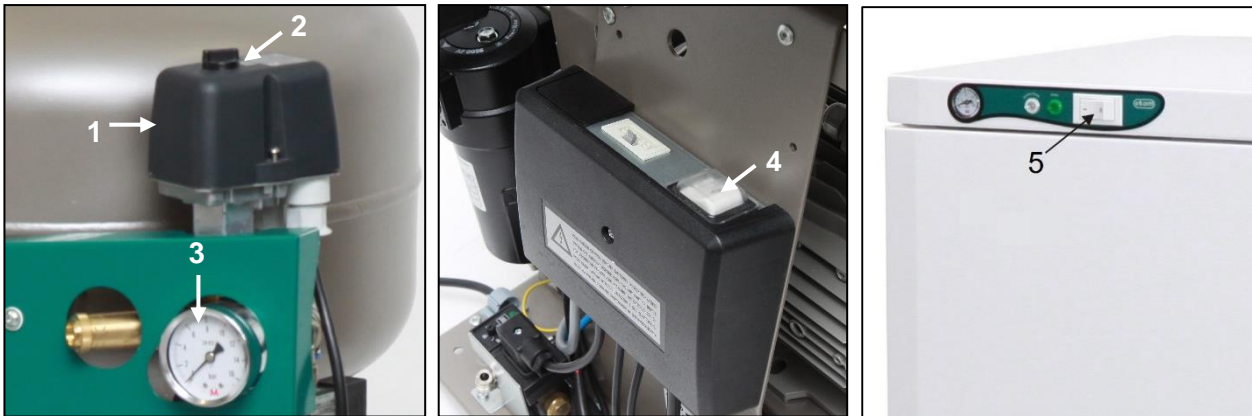


Рис.12



**Запрещено изменять диапазон реле давления компрессора. Переключатель давления (1) настроен производителем, его параметры может изменять только квалифицированный технический специалист, прошедший обучение у производителя.**

**Компрессор с вакуумным устройством.** При первом запуске и введении в эксплуатацию компрессор наполняет ресивер до уровня давления срабатывания, пока реле давления не выключит компрессор. Затем компрессор работает в автоматическом режиме, включаясь и выключаясь с помощью реле давления в зависимости от потребления сжатого воздуха.

Вакуумным устройством управляет стоматологическая установка. Белый индикатор на передней стенке шкафа показывает, что вакуумное устройство работает.

**Компрессор с осушителем.** Компрессор работает в описанном выше режиме, но с одним исключением: сжатый воздух проходит через охладитель, и последний удаляет влагу из воздуха.

## 18. ВЫКЛЮЧЕНИЕ КОМПРЕССОРА

(рис. 12)

Чтобы выключить компрессор для выполнения технического обслуживания или по другой причине, поверните переключатель (2) на реле давления (1) в положение 0 и **выньте вилку из розетки электросети**. В результате компрессор будет отсоединен от источника питания. Сравните давление в воздухохранильнике до нулевой отметки, открыв спускной клапан. (Рис. 13)

## ТЕХНИЧЕСКОЕ ОБСЛУЖИВАНИЕ

### 19. ТЕХНИЧЕСКОЕ ОБСЛУЖИВАНИЕ УСТРОЙСТВА

#### **Внимание!**

Оператор должен проводить испытание устройства не реже одного раза в 24 месяца (по стандарту EN 62353) или с периодичностью, указанной в действующих местных нормативных актах. Результаты испытаний (например, в соответствии с приложением G стандарта EN 62353), а также методы исследования должны быть задокументированы в письменном виде.

Устройство спроектировано и изготовлено таким образом, чтобы свести техническое обслуживание к минимуму. Чтобы обеспечить надлежащую и надежную работу компрессора, необходимо выполнить описанные ниже работы.



Прежде чем приступить к техническому обслуживанию компрессора, убедитесь, что он отключен от соответствующего устройства. Это позволит исключить риск для лиц, использующих это устройство, и избежать материального ущерба.



Во время работы компрессора компоненты агрегата (крышка, цилиндр, напорный шланг и т. д.) сильно нагреваются и остаются горячими некоторое время после его выключения, поэтому не прикасайтесь к ним.



Ремонтные работы, которые выходят за рамки обычного технического обслуживания, должны осуществлять только квалифицированные сотрудники или представители производителя.

Используйте только те запасные части и принадлежности, которые утверждены производителем.



**ПРИ СТРАВЛИВАНИИ ДАВЛЕНИЯ ИЗ ЛИНИИ СЖАТОГО ВОЗДУХА (РЕСИВЕРА) ИСПОЛЬЗУЙТЕ ЗАЩИТНЫЕ ОЧКИ.**

К описанным ниже работам следует допускать только обученных сотрудников.



**ПЕРЕД НАЧАЛОМ ЛЮБЫХ РАБОТ ПО ТЕХНИЧЕСКОМУ ОБСЛУЖИВАНИЮ ОТКЛЮЧИТЕ КОМПРЕССОР ОТ ЭЛЕКТРОСЕТИ (ВЫТАЩИТЕ ВИЛКУ СЕТЕВОГО ШНУРА ИЗ РОЗЕТКИ ЭЛЕКТРОСЕТИ) И СТРАВИТЕ ДАВЛЕНИЕ ИЗ РЕСИВЕРА.**



Прежде чем приступать к техническому обслуживанию либо подключать или отключать подачу сжатого воздуха, позвольте оборудованию остыть.



Если в процессе обслуживания заземляющий контакт был отсоединен, подсоедините его обратно по окончании работ.



Всасывающий агрегат может быть загрязнен. В случае ремонта всасывающего агрегата необходимо отправить его для обеззараживания в специализированную организацию или в компанию EKOM spol.s r.o.

**19.1. Периодичность технического обслуживания**

Интервал <sup>с)</sup>	Раз в день	Раз в неделю	Раз в год	Раз в 2 года	Каждые												Раздел	Комплект запчастей	Исполнитель
					2000 часов	4000 часов	6000 часов	8000 часов	10000 часов	12000 часов	1600 часов	3200 часов	4800 часов	6400 часов	8000 часов	9600 часов			
50 Гц	x																19.2	-	Пользователь
60 Гц	x																19.5	-	
Эксплуатационные проверки изделия																	19.5	-	
Слив конденсата из воздухооборника (при высокой относительной влажности <sup>б)</sup> - Освобождение резервуара от конденсата <sup>д)</sup>		x															9	-	
Слив конденсата из воздухооборника <sup>б)</sup> (при нормальной относительной влажности)			x														19.3	-	
Функциональная проверка изделия				x													19.4	-	
Проверка соединений на утечки и осмотр устройства					x												19.9	-	
Проверка электрических соединений						x											19.8	025200304-000	
Проверка охладителя и вентилятора							x										19.6	-	
Замена фильтрующего элемента в фильтре осушителя								x									19.7	025200126-000	
Проверка предохранительного клапана									x								19.7	025200139-000	
Замена входного фильтра на агрегате DK50 PLUS <sup>а)</sup>										x							19.7	025200150-000	
Замена входного фильтра и фильтра предварительной чистки на агрегате DK50 2V <sup>а)</sup>											x						19.		
Проведение повторных испытаний в соответствии со стандартом EN 62353																	19.		

<sup>а)</sup> Данные указываются в часах. В противном случае — в годах

<sup>б)</sup> Только для компрессоров без осушителей

<sup>с)</sup> Для моделей компрессоров с частотой 60 Гц: уменьшите на 20 % временной интервал в часах (2000h./1600h., 4000h./3200h., 6000h./4800h., 8000h./6400h., 10000h./8000h., 12000h./9600h.)

<sup>д)</sup> Только для компрессоров с осушителями

### 19.2. Эксплуатационные проверки

- Проверьте состояние агрегата — он должен нормально функционировать без излишних вибрации и шума. В случае выявления проблемы устраните ее или обратитесь к обслуживающему персоналу.
- Визуально осмотрите вентиляторы — они должны работать вместе с агрегатами. В случае выявления проблемы устраните ее или обратитесь к обслуживающему персоналу.
- Проверьте силовую кабель и пневматические шланги на предмет повреждений. Замените поврежденные компоненты или обратитесь к обслуживающему персоналу.
- Проверьте температуру окружающей среды — она должна быть ниже предельного значения (40 °C). В противном случае охладите помещение.
- Для компрессора с осушителем: открутите крышку на резервуаре для сбора конденсата и слейте конденсат.

### 19.3. Проверка пневматического соединения на утечки и осмотр устройства

#### Проверка на утечки

- Выполните проверку пневматических соединений на утечки при работе компрессора (нагнетании воздуха).
- Чтобы проверить все соединения на утечки, воспользуйтесь анализатором утечек или мыльной водой. В случае выявления утечки затяните соответствующие соединения или поменяйте в них уплотнение.

#### Осмотр устройства

- Проверьте агрегат компрессора на предмет нормальной работы и уровня шума.
- Проверьте работу вентиляторов: вентиляторы должны работать в течение определенных рабочих циклов компрессора.
- Проверьте работу температурного переключателя (B2): разогрейте температурный переключатель до уровня выше 40 °C (например, с помощью теплового фена), стараясь не расплавить пластиковые элементы вокруг него. Если компрессор подсоединен к источнику питания, вентилятор EV1 (или EV2, если это компрессор с осушителем) запустится, как только температура достигнет отметки в 40 °C.
- Проверьте состояние фильтра: фильтры должны быть целыми и достаточно чистыми.
- Проверьте состояние самого агрегата и убедитесь, что картер не загрязнен изнутри, а коленчатый вал не люфтит.

В случае необходимости замените дефектные элементы.

### 19.4. Проверка электрических соединений



**Проверку электрических соединений необходимо выполнять при отключенном питании.**

#### Проверка

- Проверьте механическую работу основного переключателя.
- Убедитесь, что силовой кабель и подсоединенная проводка не повреждены.
- Визуально осмотрите соединение отдельных кабелей с клеммной колодкой.
- Осмотрите все винтовые зажимы на проводнике общего заземления желто-зеленого цвета.

### 19.5. Слив конденсата

#### Компрессоры (рис. 13)

При обычной эксплуатации рекомендуется сливать конденсат из напорного резервуара. Отключите компрессор от электросети. Уменьшите давление в устройстве до 1 бар или меньше, выпустив воздух через подключенное устройство. Вставьте шланг, входящий в базовый комплект поставки, в сливной кран. Расположите резервуар под шлангом и слейте конденсат из резервуара, открыв выпускной клапан (1).

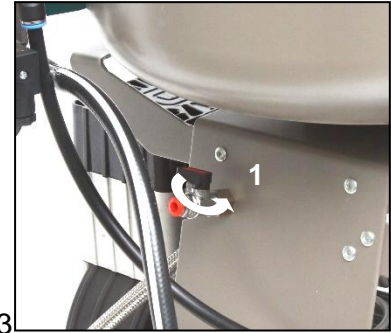


Рис. 13



**Медленно и аккуратно откройте сливной клапан. Быстрое открытие сопровождается громким звуком и неконтролируемым выбросом скопившегося конденсата.**

Модели компрессоров без осушителя могут быть оборудованы системой автоматического слива конденсата, позволяющей сливать его без участия оператора (см. главу 8.2).

#### Компрессоры с осушителем (рис. 14)

Конденсат из компрессоров с осушителями воздуха автоматически сливается в соответствующий резервуар. Необходимо периодически опустошать резервуар.



Рис. 14



**Отслеживайте уровень в резервуаре, руководствуясь отметками 1 л и 2 л (в зависимости от объема резервуара), и сливайте конденсат не реже одного раза в день. Если не сливать конденсат из резервуара с определенным интервалом, он может переполниться.**



**При переполнении резервуара возникает опасность поскользнуться на мокром полу.**



**ПРЕЖДЕ ЧЕМ ПРИСТУПИТЬ К ЛЮБЫМ ПРОВЕРКАМ, ВЫПОЛНИТЕ УКАЗАННЫЕ НИЖЕ ДЕЙСТВИЯ.**

**Компрессоры со шкафом:** отпирите дверной замок и откройте дверцу шкафа.

### 19.6. Проверка предохранительного клапана

(рис. 15)

При первом запуске компрессора проверьте правильность работы предохранительного клапана. Поверните винт (2) предохранительного клапана (1) на несколько оборотов влево, пока воздух не начнет выходить через клапан. Стравливайте воздух через предохранительный клапан всего лишь несколько секунд. Закройте клапан, повернув винт (2) вправо до упора.

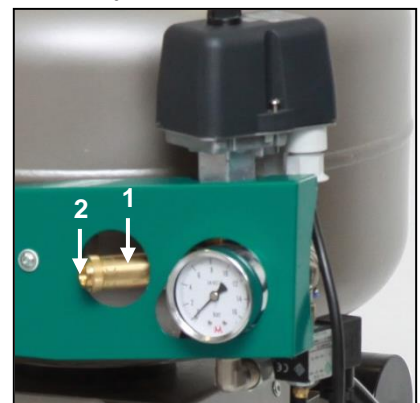


Рис. 15



**Никогда не используйте предохранительный клапан для сброса давления в ресивере. Это может повредить предохранительный клапан. Максимально допустимое давление для клапана настроено производителем. Регулировка запрещена!**



**ВНИМАНИЕ! СЖАТЫЙ ВОЗДУХ ОПАСЕН, ТАК КАК СУЩЕСТВУЕТ РИСК ПОВРЕЖДЕНИЯ ГЛАЗ! РИСК ПОВРЕЖДЕНИЯ ГЛАЗ.**



**19.7. Замена входного фильтра и фильтра предварительной очистки**

(рис. 16)

Замените входной фильтр, расположенный под крышкой картера компрессора.

Замена входного фильтра.

- Рукой снимите резиновую заглушку (2).
- Извлеките использованный фильтр (1).
- Вставьте новый фильтр и установите резиновую заглушку.

Замена фильтра предварительной очистки.

- Рукой извлеките фильтр предварительной очистки (3).
- Замените деталь и вставьте на место.

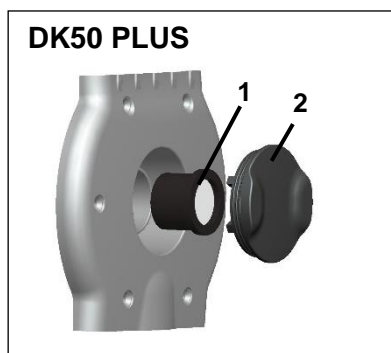
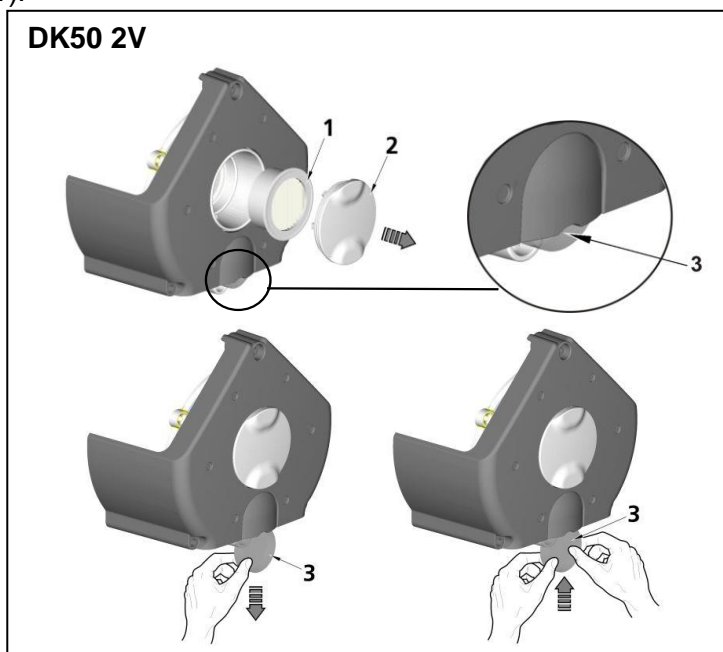


Рис. 16


**19.8. Замена фильтрующего элемента**

(рис. 17)

- Отсоедините шланг (1) от быстросъемного соединителя.
- С помощью ключа (2) отвинтите контейнер фильтра (3) и снимите его.
- Потяните за фильтрующий элемент (4), чтобы вынуть его.
- Вставьте новый фильтрующий элемент.
- Поставьте на место контейнер фильтра.
- Аккуратно закрепите контейнер фильтра с помощью ключа.
- Снова подсоедините шланг к быстросъемному соединителю.

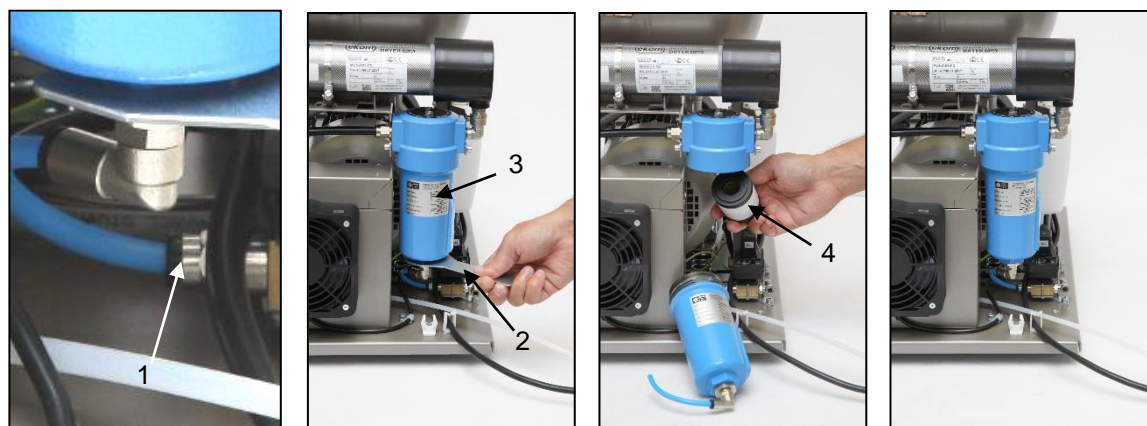


Рис. 17

**19.9. Проверка охладителя и вентилятора (рис. 2)**

Чтобы обеспечить эффективное осушение, необходимо содержать в чистоте оборудование, особенно вентилятор компрессора, вентилятор охладителя (21) и охладитель (14). Удаляйте пыль с поверхности вентилятора и ребер охладителя пылесосом или продувайте их сжатым воздухом

**19.10. Очистка и дезинфекция наружных поверхностей изделия**

Для очистки и дезинфекции наружных поверхностей изделия используются нейтральные средства.



**Применение агрессивных моющих и дезинфицирующих средств, содержащих раствор спирта и хлориды, может привести к повреждению поверхности и изменению цвета изделия.**

**УСТРАНЕНИЕ НЕИСПРАВНОСТЕЙ**


**Прежде чем выполнять дальнейшие действия, стравите воздух из ресивера до нулевого давления и отсоедините устройство от электросети.**

Оборудование, в частности охлаждающий вентилятор, нужно содержать в чистоте, чтобы охладитель как можно дольше работал с максимальной эффективностью. Необходимо время от времени очищать ребра охлаждения и удалять с них пыль.

К работам по устранению неисправностей следует допускать только квалифицированных специалистов.



**Следуйте правилам личной гигиены при работах с загрязненными материалами. Разделите, пометьте, упакуйте загрязненные детали и выполните их санитарную обработку в соответствии с национальными нормативами.**

<b>НЕПОЛАДКИ</b>	<b>ВОЗМОЖНАЯ ПРИЧИНА</b>	<b>СПОСОБ УСТРАНЕНИЯ</b>
Компрессор не запускается	Нет напряжения на реле давления  Повреждена обмотка электродвигателя, повреждена защита от перегрева Неисправный конденсатор Заклинило поршень или другую вращающуюся деталь Не срабатывает реле давления	Проверьте напряжение в розетке Проверьте автоматический выключатель: переведите его в положение I Ослабьте клемму проводника и затяните ее обратно Проверьте электрический шнур и замените его, если он неисправен Замените двигатель или обмотку  Замените конденсатор Замените поврежденные детали Проверьте работу реле давления

<p>Компрессор включается часто</p>	<p>Утечка воздуха из системы распределения сжатого воздуха Утечка в обратном клапане</p> <p>В напорном резервуаре чрезмерное количество конденсированной жидкости Низкая производительность компрессора</p>	<p>Проверьте систему распределения сжатого воздуха — уплотните негерметичные соединения Прочистите обратный клапан, замените уплотнения, замените обратный клапан Слейте сконденсировавшуюся жидкость Проверьте время заполнения ресивера</p>
<p>Понижьте давление в ресивере (в процессе непрерывной работы компрессора)</p>	<p>Высокий уровень потребления воздуха устройством, утечка в системе распределения сжатого воздуха, низкая выходная мощность агрегата компрессора Неполадка в агрегате Неполадка в осушителе</p>	<p>Снизьте потребление воздуха Воспользуйтесь компрессором с большей производительностью Проверьте пневматическую систему — уплотните негерметичные соединения Почистите или замените насос Почистите или замените насос Замените осушитель</p>
<p>Длительная работа компрессора</p>	<p>Утечка в системе распределения сжатого воздуха Изношено поршневое кольцо Засорился входной фильтр Неисправен электромагнитный клапан</p>	<p>Проверьте систему распределения сжатого воздуха — уплотните негерметичное соединение Замените изношенное поршневое кольцо Замените старый фильтр новым Отремонтируйте или замените клапан либо обмотку</p>
<p>Компрессор шумит (стучит, издает металлические звуки)</p>	<p>Поврежден поршневой подшипник, шатун или подшипник двигателя Ослабленная или лопнувшая пружина</p>	<p>Замените поврежденный подшипник</p> <p>Замените поврежденную пружину</p>
<p>Вакуумное устройство не работает либо работает нерегулярно</p>	<p>Отсутствует напряжение на клеммах вакуумного устройства</p>	<p>Проверьте напряжение в розетке Проверьте плавкие предохранители и замените неисправный предохранитель Ослаблена клемма — затяните ее Проверьте электрический шнур и замените его, если он неисправен Проверьте наличие управляющего напряжения</p>
	<p>Другая механическая неисправность в вакуумном устройстве</p>	<p>Поврежден подшипник или крыльчатка вакуумного устройства: позвоните в сервисный центр</p>
	<p>Перегрев вакуумного устройства (срабатывает термозащита устройства)</p>	<p>Проверьте, правильно ли работает вентилятор шкафа (если вентилятор не работает, замените его) Проверьте линии всасывания и нагнетания на наличие повреждений (замените поврежденные шланги и удалите посторонние предметы)</p>

Вакуумное устройство не создает вакуум или создает слабый вакуум, электродвигатель работает	Утечка в линиях всасывания, посторонний предмет в трубопроводе всасывания, заблокирована линия выпуска воздуха	Проверьте соединения на линии всасывания, устраните утечки, удалите посторонние предметы
Осушитель не осушает сжатый воздух (наличие водного конденсата в воздухе) *	Не работает охлаждающий вентилятор	Замените вентилятор Проверьте источник питания
	Поврежденный осушитель	Замените осушитель
	Не работает система автоматического слива конденсата	Выполните очистку или замену

)\* В случае неполадки в осушителе необходимо тщательно очистить внутреннюю поверхность ресивера и удалить всю собравшуюся в нем жидкость.

**Проверьте точку росы воздуха на выходе из ресивера (см. раздел 7 «Технические характеристики»), чтобы избежать повреждения оборудования.**

## 20. РЕМОНТНОЕ ОБСЛУЖИВАНИЕ

Гарантийный и послегарантийный ремонт должен выполняться производителем, его уполномоченным представителем или обслуживающим персоналом, одобренным поставщиком.

**Производитель оставляет за собой право вносить изменения в устройство без предварительного уведомления. Никакие изменения не повлияют на функциональные свойства устройства.**

## 21. УСЛОВИЯ ХРАНЕНИЯ

Если компрессор не будет использоваться в течение продолжительного времени, слейте весь конденсат из ресивера. Затем включите компрессор на 10 минут, оставив сливной кран (1) открытым (рис. 13). Выключите компрессор с помощью выключателя (2) на реле давления (1) (рис. 12), закройте сливной клапан и отсоедините устройство от электросети.

## 22. УТИЛИЗАЦИЯ УСТРОЙСТВА

- Отключите устройство от электросети.
- Сравите давление воздуха в ресивере, открыв сливной кран (1) (рис. 13).
- Соблюдайте все правила личной гигиены при работе с загрязненными материалами.
- Разделите, пометьте, упакуйте загрязненные детали и выполните их санитарную обработку в соответствии с национальными нормативами.
- Утилизируйте оборудование в соответствии с применимыми нормативами, касающимися защиты окружающей среды.
- Для этого обратитесь в специализированную компанию, занимающуюся сортировкой и утилизацией отходов.
- Отработанные компоненты не должны оказывать отрицательного влияния на окружающую среду.



**В результате неправильного использования внутренние компоненты вакуумного устройства могут быть загрязнены биологическими материалами. Перед сортировкой и утилизацией устройства передайте его в специализированную организацию для дезинфекции.**

**SPIS TREŚCI**

<b>WAŻNE INFORMACJE.....</b>	<b>162</b>
1. ZGODNOŚĆ Z WYMAGANIAMI DYREKTYW UNII EUROPEJSKIEJ .....	162
2. PRZEZNACZENIE .....	162
3. PRZECIWWSKAZANIA I EFEKTY UBOCZNE .....	162
4. OSTRZEŻENIA I SYMBOLE .....	162
5. UWAGI.....	163
6. WARUNKI PRZECHOWYWANIA I TRANSPORTU.....	165
7. DANE TECHNICZNE.....	166
8. OPIS PRODUKTU .....	173
9. FUNKCJONALNOŚĆ PRODUKTU .....	175
10.SCHEMAT UKŁADU PNEUMATYCZNEGO .....	180
<b>INSTALACJA.....</b>	<b>181</b>
11. WARUNKI UŻYTKOWANIA .....	181
12.UMIEJSCOWIENIE SPREŻARKI.....	182
13.POŁĄCZENIA PNEUMATYCZNE .....	184
14.PRZYŁĄCZA ELEKTRYCZNE .....	187
15. SCHEMAT POŁĄCZEŃ.....	189
<b>EKSPLOATACJA .....</b>	<b>191</b>
16.URUCHOMIENIE.....	191
17.WŁĄCZANIE SPREŻARKI .....	192
18.WYŁĄCZENIE SPREŻARKI .....	192
<b>KONSERWACJA .....</b>	<b>193</b>
19.KONSERWACJA URZĄDZENIA.....	193
<b>ROZWIĄZYWANIE PROBLEMÓW .....</b>	<b>198</b>
20.INFORMACJE DOTYCZĄCE USŁUGI NAPRAWY .....	199
21.PRZECHOWYWANIE.....	200
22.UTYLIZACJA URZĄDZENIA .....	200
<b>ZAŁĄCZNIK .....</b>	<b>281</b>
23.DOKUMENTACJA INSTALACJI.....	285

## WAŻNE INFORMACJE

### 1. ZGODNOŚĆ Z WYMAGANIAMI DYREKTYW UNII EUROPEJSKIEJ

Niniejszy produkt spełnia wymagania dyrektywy w sprawie urządzeń medycznych (93/42/EWG) i jest bezpieczny do użytku zgodnie z przeznaczeniem, jeśli przestrzegane są wszystkie instrukcje bezpieczeństwa.

### 2. PRZEZNACZENIE

Jednostka sprężająco-ssąca służy jako źródło czystego, wolnego od oleju sprężonego powietrza do zasilania i chłodzenia urządzeń na sprężone powietrze w modułach stomatologicznych oraz jako źródło podciśnienia w systemach ssących. Urządzenie może pracować ze wszystkimi rodzajami modułów stomatologicznych wyposażonych w blok ssący.



**Sprężone powietrze dostarczane przez sprężarkę nie nadaje się do użycia z urządzeniami sztucznej wentylacji płuc bez dalszej filtracji.**

Jakiegokolwiek użycie tego produktu niezgodnie z przeznaczeniem jest użyciem nieprawidłowym. Producent nie ponosi odpowiedzialności za jakiegokolwiek szkody lub uszczerbki na zdrowiu wynikające z niewłaściwego użycia.

### 3. PRZECIWWSKAZANIA I EFEKTY UBOCZNE

Brak znanych przeciwwskazań i efektów ubocznych.

### 4. OSTRZEŻENIA I SYMBOLE

W instrukcji obsługi, na urządzeniu i na jego opakowaniu znajdują się następujące symbole, które przekazują ważne informacje:



Ogólne ostrzeżenia



Ostrzeżenie



Niebezpieczeństwo, ryzyko porażenia prądem elektrycznym



Zobacz instrukcję obsługi



Postępuj zgodnie z instrukcją obsługi!



Oznaczenie CE



Sprężarka jest sterowana automatycznie i może uruchomić się bez ostrzeżenia



Ostrzeżenie! Gorąca powierzchnia



Uziemienie



Zacisk do podłączenia uziemienia



Znak manipulacyjny na opakowaniu – ZAWARTOŚĆ DELIKATNA



Znak manipulacyjny na opakowaniu – GÓRA



Znak manipulacyjny na opakowaniu – ZACHOWAJ SUCHOŚĆ



Znak manipulacyjny na opakowaniu – OGRANICZENIA TEMPERATURY



Znak manipulacyjny na opakowaniu – OGRANICZONE UKŁADANIE W STOS



Znak na opakowaniu – MATERIAŁ DO RECYKLINGU



Producent



Niebezpieczeństwo biologiczne

## 5. UWAGI

Produkt został zaprojektowany i wyprodukowany tak, aby był bezpieczny dla użytkownika i otoczenia, gdy jest używany w określony sposób. Należy pamiętać o następujących ostrzeżeniach.

### 5.1. Ogólne ostrzeżenia

**PRZED UŻYCIEM URZĄDZENIA NALEŻY DOKŁADNIE PRZECZYTAĆ NINIEJSZĄ INSTRUKCJĘ I ZACHOWAĆ JĄ DO WGLĄDU NA PRZYSZŁOŚĆ!**

- Instrukcja obsługi zawiera informacje dotyczące prawidłowej instalacji, eksploatacji i konserwacji produktu. Dokładne zapoznanie się z niniejszą instrukcją dostarczy informacji niezbędnych do prawidłowej obsługi produktu zgodnie z jego przeznaczeniem.
- Oryginalne opakowanie należy zachować na wypadek zwrotu urządzenia. Tylko oryginalne opakowanie zapewnia optymalną ochronę urządzenia podczas transportu. Jeżeli w okresie gwarancyjnym urządzenie będzie trzeba zwrócić, producent nie odpowiada za szkody spowodowane jego nieprawidłowym zapakowaniem.
- Gwarancja nie obejmuje szkód, które powstały w wyniku zastosowania innego wyposażenia niż określił lub zalecił producent.
- Producent ponosi odpowiedzialność za bezpieczeństwo, niezawodność i funkcjonowanie urządzenia tylko wówczas, gdy:

- instalację, regulacje, zmiany, rozszerzenia oraz naprawy wykonuje producent lub usługodawca autoryzowany przez producenta;
- produkt jest używany zgodnie z instrukcją obsługi.
- Instrukcja obsługi odpowiada konfiguracji produktu i jego zgodności z obowiązującymi normami technicznymi i normami bezpieczeństwa w momencie drukowania. Producent zastrzega sobie wszelkie prawa do ochrony konfiguracji, metod i nazw produktu.
- Tłumaczenie instrukcji obsługi odbywa się zgodnie z najlepszą dostępną wiedzą. W razie wątpliwości należy odnieść się do wersji słowackiej.
- Niniejsza instrukcja obsługi jest oryginalną instrukcją. Tłumaczenie zostało wykonane zgodnie z najlepszą dostępną wiedzą.

## 5.2. Uwagi ogólne dotyczące bezpieczeństwa

Producent zaprojektował i wyprodukował produkt w taki sposób, aby zminimalizować wszelkie zagrożenia przy prawidłowym użytkowaniu produktu zgodnie z przeznaczeniem. Producent uważa za swój obowiązek przedstawienie następujących ogólnych uwag dotyczących bezpieczeństwa.

- Produktu należy używać zgodnie z wszelkimi przepisami i lokalnymi regulacjami obowiązującymi w miejscu użytkowania. Podmiot odpowiedzialny oraz użytkownik odpowiadają za przestrzeganie wszystkich odpowiednich przepisów w celu zapewnienia bezpiecznej pracy.
- Wyłącznie stosowanie oryginalnych części zamiennych gwarantuje bezpieczeństwo personelu obsługującego i bezbłędne działanie samego produktu. Stosować należy tylko wyposażenie oraz części zamienne wymienione w dokumentacji technicznej lub wyraźnie dopuszczone przez producenta.
- Podmiot odpowiedzialny musi zapewnić przed każdym użyciem, że urządzenie działa prawidłowo i bezpiecznie.
- Użytkownik powinien zapoznać się ze sposobem działania urządzenia.
- Urządzenia nie należy używać w środowiskach zagrożonych wybuchem.
- W razie wystąpienia jakichkolwiek problemów związanych z działaniem urządzenia użytkownik jest zobowiązany niezwłocznie powiadomić o tym fakcie dostawcę.

## 5.3. Uwagi dotyczące ochrony przed prądem elektrycznym

- Urządzenie można podłączyć tylko do prawidłowo zamontowanego gniazda z uziemieniem.
- Przed podłączeniem produktu należy sprawdzić, czy napięcie i częstotliwość sieci wskazane na produkcie odpowiadają parametrom sieci zasilającej.
- Przed rozpoczęciem eksploatacji urządzenia należy sprawdzić, czy podłączone do niego przewody pneumatyczne i elektryczne nie mają uszkodzeń. Uszkodzone przewody pneumatyczne i elektryczne należy natychmiast wymienić.
- W sytuacjach niebezpiecznych lub w przypadku awarii technicznej należy natychmiast odłączyć urządzenie od sieci elektrycznej (wyjąć wtyczkę przewodu zasilającego z gniazda).
- Podczas wszelkich napraw i prac konserwacyjnych należy upewnić się, że:
  - wtyczka sieciowa jest wyciągnięta z gniazda sieciowego,
  - ze zbiornika powietrza i przewodów jest spuszczone ciśnienie.
- Produkt powinien być instalowany tylko przez wykwalifikowany personel.



## 6. WARUNKI PRZECHOWYWANIA I TRANSPORTU

Urządzenie jest przewożone z fabryki w specjalnym opakowaniu. Chroni ono urządzenie przed uszkodzeniami w czasie transportu.



**W miarę możliwości urządzenie zawsze należy przewozić w oryginalnym opakowaniu. Podczas transportu urządzenie powinno być dokładnie zabezpieczone w pozycji stojącej.**



Podczas transportu i przechowywania sprężarkę należy chronić przed wilgocią, brudem i ekstremalnymi temperaturami. Sprężarkę należy przechowywać w oryginalnym opakowaniu w ciepłym, suchym i niezapyłonym pomieszczeniu. Urządzenia nie należy przechowywać razem z materiałami chemicznymi.



W miarę możliwości opakowanie należy zachować. Jeżeli zachowanie opakowania nie jest możliwe, należy je zutylizować zgodnie z zasadami ochrony środowiska. Kartonowe opakowanie można poddać recyklingowi razem ze starym papierem.



**Sprężarkę można transportować wyłącznie po spuszczeniu ciśnienia powietrza. Przed przeniesieniem lub transportem sprężarki należy spuścić ciśnienie powietrza w zbiorniku i w węzłach ciśnieniowych oraz spuścić kondensat.**



**Zabrania się przechowywania i transportu urządzenia w sposób inny niż opisany poniżej.**

### Warunki otoczenia przy przechowywaniu i transporcie

Produkty mogą być składowane i transportowane wyłącznie w pojazdach, które są wolne od śladowych ilości lotnych substancji chemicznych, w następujących warunkach:

Temperatura: Od  $-25^{\circ}\text{C}$  do  $+55^{\circ}\text{C}$ , 24 godziny do  $+70^{\circ}\text{C}$

Wilgotność względna: Od 10% do 90% (bez kondensacji)

**7. DANE TECHNICZNE**

Sprężarki są przeznaczone do suchych i wentylowanych pomieszczeń wewnętrznych, które spełniają następujące warunki:

*Temperatura:* Od +5°C do +40°C,

*Maks. wilgotność względna:* 70%,

*Maks. wilgotność bezwzględna:* 15 g/m<sup>3</sup>

Tab.1

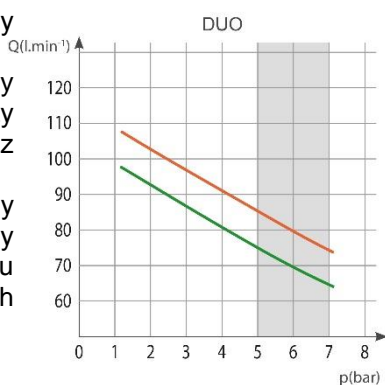
		<b>DUO</b>	<b>DUO/M</b>
Sprężarka 5–7 barów		DK50 PLUS	DK50 PLUS/M
Jednostka ssąca		1	1
Napięcie znamionowe / częstotliwość (*)	V / Hz	230 / 50 230 / 60	230 / 50 230 / 60
Wydajność przy 5 barach	Lit.min <sup>-1</sup>	75 85	58 68
Ciśnienie robocze (**)	bar	5,0 – 7,0	5,0 – 7,0
Moc jednostki ssącej 5 kPa	Lit.min <sup>-1</sup>	800	800
Maks. podciśnienie jednostki ssącej	kPa	12	12
Maks. prąd	A	6,9 7,9	7,1 8
Moc silnika sprężarki	kW	0,55	0,55
Objętość zbiornika powietrza	Lit.	25	25
Jakość powietrza – filtracja	µm	-	0,3
Dopuszczalne ciśnienie robocze zaworu bezpieczeństwa	bar	8,0	8,0
Poziom hałasu przy 5 barach	LpfA [dB]	≤47 ≤50	≤47 ≤50
Tryb pracy		S1-100%	S1-100%
Wydajność suszenia PDP przy 7 barach		-	≤ +3°C
Czas napełniania zbiornika powietrza od 0 do 6 barów	s	123 105	157 128
Wymiary (bez opakowania) szer. x gł. x wys.	mm	560x684x1251	560x684x1251
Waga netto (***)	kg	114	119
Klasyfikacja wg normy EN 60601-1		Klasa I.	

Uwagi:

(\*) W zamówieniu należy wskazać wersję sprężarki.

(\*\*) W sprawie innych mocy sprężania należy skontaktować się z dostawcą

(\*\*\*) Informacje dotyczące masy mają charakter informacyjny i dotyczą samego produktu bez dodatkowych akcesoriów



## DUO, DUO 2V, DUO 2

Tab. 2

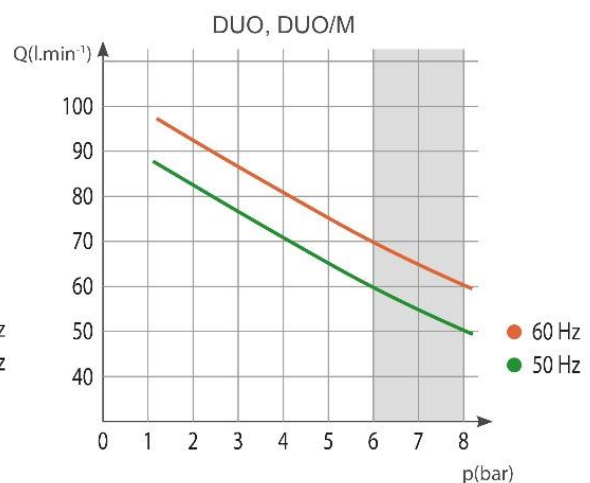
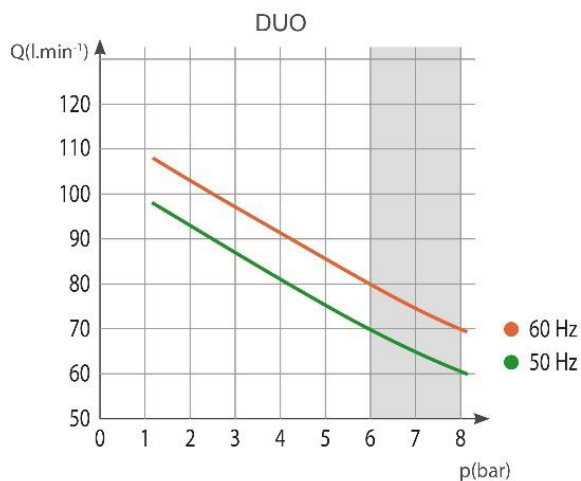
		DUO	DUO/M
Sprężarka 6 – 8 barów		DK50 PLUS	DK50 PLUS/M
Jednostka ssąca		1	1
Napięcie znamionowe / częstotliwość (*)	V / Hz	230 / 50 230 / 60	230 / 50 230 / 60
Wydajność przy 6 barach	Lit.min <sup>-1</sup>	70 80	60 70
Ciśnienie robocze (**)	bar	6,0 – 8,0	6,0 – 8,0
Moc jednostki ssącej 5 kPa	Lit.min <sup>-1</sup>	800	800
Maks. podciśnienie jednostki ssącej	kPa	12	12
Maks. prąd	A	7 8	7,2 8,1
Moc silnika sprężarki	kW	0,55	0,55
Objętość zbiornika powietrza	Lit.	25	25
Jakość powietrza – filtracja	µm	-	0,3
Dopuszczalne ciśnienie robocze zaworu bezpieczeństwa	bar	11,0	11,0
Poziom hałasu przy 5 barach	LpfA [dB]	≤47 ≤50	≤47 ≤50
Tryb pracy		S1-100%	S1-100%
Wydajność suszenia PDP przy 7 barach		-	≤ +3°C
Czas napełniania zbiornika powietrza od 0 do 7 barów	s	149 126	198 159
Wymiary (bez opakowania) szer. x gł. x wys.	mm	560x684x1251	560x684x1251
Waga netto (***)	kg	114	119
Klasyfikacja wg normy EN 60601-1		Klasa I.	

Uwagi:

(\*) W zamówieniu należy wskazać wersję sprężarki.

(\*\*) W sprawie innych mocy sprężania należy skontaktować się z kontrahentem

(\*\*\*) Informacje dotyczące masy mają charakter informacyjny i dotyczą samego produktu bez dodatkowych akcesoriów



Tab.3

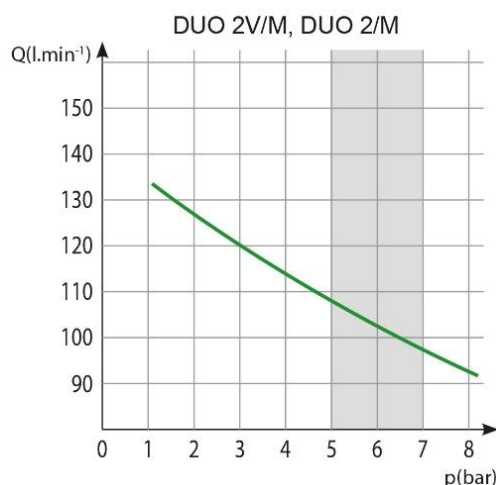
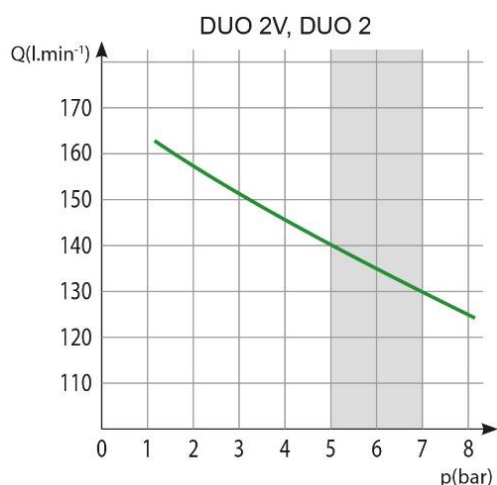
		<b>DUO 2V</b>	<b>DUO 2V/M</b>	<b>DUO 2</b>	<b>DUO 2/M</b>
Sprężarka 5–7 barów		DK50 2V	DK50 2V/M	DK50 2V	DK50 2V/M
Jednostka ssąca		1	1	2	2
Napięcie znamionowe / częstotliwość (*)	V / Hz	230 / 50 230 / 60	230 / 50 230 / 60	230 / 50 230 / 60	230 / 50 230 / 60
Wydajność przy 5 barach	Lit.min <sup>-1</sup>	140	108	140	108
Ciśnienie robocze (**)	bar	5,0 – 7,0	5,0 – 7,0	5,0 – 7,0	5,0 – 7,0
Moc jednostki ssącej 5 kPa	Lit.min <sup>-1</sup>	800	800	2x800	2x800
Maks. podciśnienie jednostki ssącej	kPa	12	12	12	12
Maks. prąd	A	11,5 12,5	11,7 12,7	14,5 15,4	14,6 15,6
Moc silnika sprężarki	kW	1,2	1,2	1,2	1,2
Objętość zbiornika powietrza	Lit.	25	25	25	25
Jakość powietrza – filtracja	µm	-	0,3	-	0,3
Dopuszczalne ciśnienie robocze zaworu bezpieczeństwa	bar	8,0	8,0	8,0	8,0
Poziom hałasu przy 5 barach	LpFA [dB]	≤ 51,5	≤ 55,0	≤ 51,5	≤ 55,0
Tryb pracy		S1-100%	S1-100%	S1-100%	S1-100%
Wydajność suszenia PDP przy 7 barach		-	≤ +3°C	-	≤ +3°C
Czas napełniania zbiornika powietrza od 0 do 6 barów	s	52	65	52	65
Wymiary (bez opakowania) szer. x gł. x wys.	mm	560x684x1251	560x684x1251	560x684x1251	560x684x1251
Waga netto (***)	kg	121	126	133	138
Klasyfikacja wg normy EN 60601-1		Klasa I.			

**Uwagi:**

(\*) W zamówieniu należy wskazać wersję sprężarki.

(\*\*) W sprawie innych mocy sprężania należy skontaktować się z dostawcą

(\*\*\*) Informacje dotyczące masy mają charakter informacyjny i dotyczą samego produktu bez dodatkowych akcesoriów



Tab. 4

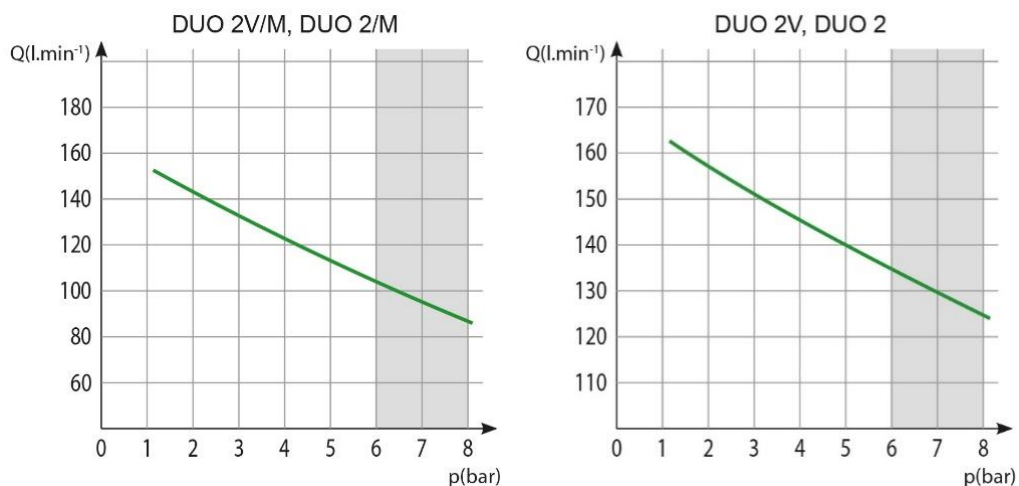
		<b>DUO 2V</b>	<b>DUO 2V/M</b>	<b>DUO 2</b>	<b>DUO 2</b>
Sprężarka 6 – 8 barów		DK50 2V	DK50 2V/M	DK50 2V	DK50 2V/M
Jednostka ssąca		1	1	2	2
Napięcie znamionowe / częstotliwość (*)	V / Hz	230 / 50 230 / 60	230 / 50 230 / 60	230 / 50 230 / 60	230 / 50 230 / 60
Wydajność przy 6 barach	Lit.min <sup>-1</sup>	135	104	135	104
Ciśnienie robocze (**)	bar	6,0 – 8,0	6,0 – 8,0	6,0 – 8,0	6,0 – 8,0
Moc jednostki ssącej 5 kPa	Lit.min <sup>-1</sup>	800	800	2x800	2x800
Maks. podciśnienie jednostki ssącej	kPa	12	12	12	12
Maks. prąd	A	11,8 12,5	12,0 12,7	14,8 15,4	15,0 15,6
Moc silnika sprężarki	kW	1,2	1,2	1,2	1,2
Objętość zbiornika powietrza	Lit.	25	25	25	25
Jakość powietrza – filtracja	µm	-	0,3	-	0,3
Dopuszczalne ciśnienie robocze zaworu bezpieczeństwa	bar	11,0	11,0	11,0	11,0
Poziom hałasu przy 5 barach	LpfA [dB]	≤ 51,5	≤ 55,0	≤ 51,5	≤ 55,0
Tryb pracy		S1-100%	S1-100%	S1-100%	S1-100%
Wydajność suszenia PDP przy 7 barach		-	≤ +3°C	-	≤ +3°C
Czas napełniania zbiornika powietrza od 0 do 7 barów	s	61	78	61	78
Wymiary (bez opakowania) szer. x gł. x wys.	mm	560x684x1251	560x684x1251	560x684x1251	560x684x1251
Waga netto (***)	kg	121	126	133	138
Klasyfikacja wg normy EN 60601-1		Klasa I.			

Uwagi:

(\*) W zamówieniu należy wskazać wersję sprężarki.

(\*\*) W sprawie innych mocy sprężania należy skontaktować się z kontrahentem

(\*\*\*) Informacje dotyczące masy mają charakter informacyjny i dotyczą samego produktu bez dodatkowych akcesoriów



### 7.1. Korekta swobodnego przepływu powietrza (FAD) z powodu wysokości

Tabela korekty FAD

Wysokość [m n.p.m.]	0 – 1500	1501 – 2500	2501 – 3500	3501 – 4500
FAD [l/min]	FAD x 1	FAD x 0,8	FAD x 0,71	FAD x 0,60

Wydajność FAD („Free Air Delivery”) zależy od warunków:

Wysokość: 0 m n.p.m.

Temperatura: 20°C

Ciśnienie atmosferyczne: 101325 Pa

Wilgotność względna: 0%

### 7.2. Deklaracja zgodności elektromagnetycznej

Sprzęt medyczny musi spełniać specjalne normy bezpieczeństwa w zakresie zgodności elektromagnetycznej (EMC) oraz powinien być instalowany i serwisowany zgodnie z poniższymi informacjami na ten temat.


<b>Wytyczne oraz deklaracja producenta – emisja elektromagnetyczna</b>		
Zgodnie z normą IEC 60601-1-2:2014 – Medyczne urządzenia elektryczne -- Część 1-2: Wymagania ogólne dotyczące bezpieczeństwa podstawowego oraz funkcjonowania zasadniczego -- Norma uzupełniająca: Zakłócenia elektromagnetyczne -- Wymagania i badania		
Urządzenie jest przeznaczone do użytku w otoczeniu elektromagnetycznym określonym poniżej. Klient lub użytkownik urządzenia powinien zapewnić właściwe warunki użytkowania.		
<b>Test emisji</b>	<b>Zgodność</b>	<b>Otoczenie elektromagnetyczne – wytyczne</b>
Emisje fal radiowych wg normy CISPR 11	Grupa 1	Urządzenie wykorzystuje fale radiowe tylko na wewnętrzne potrzeby. W związku z tym emisja tych fal jest bardzo niska i stwarza bardzo małe ryzyko interferencji z pobliskim sprzętem elektronicznym.
Emisje fal radiowych wg normy CISPR 11	Klasa B	Urządzenie może być używane wszędzie, także w gospodarstwach domowych i miejscach bezpośrednio podłączonych do publicznej sieci zasilania o niskim napięciu, zasilającej budynki wykorzystywane do celów mieszkalnych.
Emisje harmoniczne wg normy IEC 61000-3-2	Klasa A	
Wahania napięcia / emisje migotania wg normy IEC 61000-3-3	Urządzenie nie powinno powodować migotania, ponieważ po jego uruchomieniu przepływ prądu jest w przybliżeniu jednostajny.	

<b>Wytyczne oraz deklaracja producenta – odporność elektromagnetyczna</b>			
Zgodnie z normą IEC 60601-1-2:2014 – Medyczne urządzenia elektryczne -- Część 1-2: Wymagania ogólne dotyczące bezpieczeństwa podstawowego oraz funkcjonowania zasadniczego -- Norma uzupełniająca: Zakłócenia elektromagnetyczne -- Wymagania i badania			
Urządzenie jest przeznaczone do użytku w otoczeniu elektromagnetycznym określonym poniżej. Klient lub użytkownik urządzenia powinien zapewnić właściwe warunki użytkowania.			
<b>Test odporności</b>	<b>Poziom testu wg normy IEC 60601-1-2</b>	<b>Poziom zgodności</b>	<b>Otoczenie elektromagnetyczne – wytyczne</b>
Wyładowanie elektrostatyczne (ESD) IEC 61000-4-2	kontaktowe $\pm 8$ kV w powietrzu $\pm 15$ kV	kontaktowe $\pm 8$ kV w powietrzu $\pm 15$ kV	Podłogi powinny być drewniane, betonowe lub pokryte płytkami ceramicznymi. Jeśli podłogi są pokryte materiałem syntetycznym, wilgotność względna powinna wynosić przynajmniej 30%.
Szybkie przejściowe wyładowanie elektryczne IEC 61000-4-4	$\pm 2$ kV dla obwodów zasilania $\pm 1$ kV dla obwodów wejścia/wyjścia	$\pm 2$ kV Częstotliwość powtarzania 100 kHz Dotyczy podłączenia do sieci	Jakość sieci powinna być typowa dla środowisk komercyjnych lub szpitalnych.
Przebieżenie IEC 61000-4-5	Tryb różnicowy $\pm 1$ kV Tryb wspólny $\pm 2$ kV	$\pm 1$ kV L-N $\pm 2$ kV L-PE; N-PE Dotyczy podłączenia do sieci	Jakość sieci powinna być typowa dla środowisk komercyjnych lub szpitalnych.
Spadki napięcia, krótka przerwa, oraz wahania napięcia na liniach wejściowych zasilania wg normy IEC 60601-4-11	$U_T=0\%$ , cykl 0,5 (przy 0, 45, 90, 135, 180, 225, 270 oraz 315°) $U_T=0\%$ , cykl 1 $U_T=70\%$ 25/30 cykli (przy 0°) $U_T=0\%$ , 250/300 cykli	$U_T \geq 95\%$ , 0,5 cyklu (przy 0, 45, 90, 135, 180, 225, 270 oraz 315°) $U_T \geq 95\%$ , 1 cykl $U_T=70\%$ (30% spadek napięcia $U_T$ ), 25 (50 Hz)/30 (60 Hz) cykli (przy 0°) $U_T \geq 95\%$ , 250 (50 Hz)/300 (60 Hz) cykli	Jakość sieci powinna być typowa dla środowisk komercyjnych lub szpitalnych. Urządzenie automatycznie wyłącza i restartuje się po każdym spadku napięcia. W tym przypadku nie następuje nieakceptowalny spadek ciśnienia.
Częstotliwość zasilania (50/60 Hz) IEC 61000-4-8	30 A/m	30 A/m	Pola magnetyczne o częstotliwości zasilania powinny być przynajmniej na poziomie charakterystycznym dla typowej lokalizacji w typowym środowisku komercyjnym lub szpitalnym.
UWAGA: $U_T$ to przemiennie napięcie sieciowe przed testem.			

**Wytyczne oraz deklaracja producenta – odporność elektromagnetyczna**

Zgodnie z normą IEC 60601-1-2:2014 – Medyczne urządzenia elektryczne -- Część 1-2: Wymagania ogólne dotyczące bezpieczeństwa podstawowego oraz funkcjonowania zasadniczego -- Norma uzupełniająca: Zakłócenia elektromagnetyczne -- Wymagania i badania

Urządzenie jest przeznaczone do użytku w otoczeniu elektromagnetycznym określonym poniżej. Klient lub użytkownik urządzenia powinien zapewnić właściwe warunki użytkowania.

Test odporności	Poziom testu wg normy IEC 60601-1-2	Poziom zgodności	Otoczenie elektromagnetyczne – wytyczne
Odporność na zaburzenia radioelektryczne wprowadzane do przewodów IEC 61000-4-6	3 Vrms 150 kHz – 80 MHz	3 Vrms	Przenośne i ruchome urządzenia radiowe RF nie powinny znajdować się bliżej żadnej części urządzenia, w tym kabli, niż zalecana odległość obliczona za pomocą równania z uwzględnieniem częstotliwości nadajnika.  <b>Zalecana odległość</b> $d=1,2\sqrt{P}$ $d=1,2\sqrt{P}$ , 80 MHz – 800 MHz $d=2,3\sqrt{P}$ , 800 MHz – 2,7 GHz
Odporność na pole elektromagnetyczne o częstotliwościach radiowych IEC 61000-4-3	3 V/m 80 MHz – 2,7 GHz	3 V/m	gdzie P to maksymalna moc wyjściowa nadajnika w watach (W) podana przez producenta nadajnika, a d to zalecana odległość w metrach (m).
Odporność na pole elektromagnetyczne o częstotliwościach radiowych IEC 61000-4-3	9 – 28 V/m 15 określonych częstotliwości (380 – 5800 MHz)	9 – 28 V/m 15 określonych częstotliwości (380 – 5800 MHz)	Natężenia pól emitowanych przez stałe nadajniki RF, określone drogą pomiaru poziomu zakłóceń elektromagnetycznych w miejscu montażu <sup>a</sup> , powinny być niższe od poziomu zgodności w każdym zakresie częstotliwości <sup>b</sup> . Interferencje mogą występować w pobliżu urządzeń oznaczonych następującym symbolem:  
Pobliskie pola fal radiowych emitowanych przez urządzenia komunikacyjne IEC 61000-4-3			

UWAGA 1: w przypadku 80 MHz i 800 MHz zastosowanie ma wyższy zakres częstotliwości.

UWAGA 2: wytyczne te mogą nie mieć zastosowania w niektórych sytuacjach. Na rozchodzenie się fal elektromagnetycznych mają wpływ właściwości pochłaniania i odbijania konstrukcji, obiektów i ludzi.

<sup>a</sup> Siły pól emitowanych przez stałe nadajniki, takie jak stacje telefoniczne (komórkowe/bezprzewodowe), przenośne radia lądowe, radia amatorskie, stacje nadające sygnały radiowe AM i FM oraz TV nie dadzą się dokładnie przewidzieć w obliczeniach teoretycznych. Aby określić właściwości otoczenia elektromagnetycznego ze względu na obecność stałych nadajników fal radiowych, należy przeprowadzić pomiar poziomu zakłóceń elektromagnetycznych w miejscu montażu. Jeśli natężenie pola w miejscu montażu urządzenia przekracza dopuszczalny poziom zakłóceń fal radiowych, należy przyjrzeć się, czy urządzenie działa prawidłowo. Jeśli urządzenie nie działa prawidłowo, może być konieczne podjęcie środków zaradczych, takich jak przestawienie lub przeniesienia urządzenia.

<sup>b</sup> Powyżej zakresu częstotliwości 150 kHz – 80 MHz natężenia pól powinny wynosić mniej niż 3 V/m.



## 8. OPIS PRODUKTU

### 8.1. Warianty

Modele sprężarek występują w następujących wariantach:

<b>DUO</b>	Ten model jest przeznaczony do modułów stomatologicznych wyposażonych w blok ssący oraz może być instalowany bezpośrednio w gabinecie stomatologicznym
<b>DUO 2</b>	Modele przeznaczone do zasilania sprzętu stomatologicznego są wyposażone w blok ssący. Są przystosowane do zasilania dwóch takich zestawów stomatologicznych, tzn. stacji roboczych
<b>DUO 2V</b>	Modele przeznaczone do zasilania sprzętu stomatologicznego są wyposażone w blok ssący. Są przystosowane do zasilania zestawów zużywających większe ilości powietrza
<b>DUO/M</b>	Identyczna z modelem DUO, ale wyposażona dodatkowo w suszarkę membranową
<b>DUO 2V/M</b>	Identyczna z modelem DUO 2V, ale wyposażona w suszarkę membranową
<b>DUO 2/M</b>	Identyczna z modelem DUO 2, ale wyposażona w suszarkę membranową



**DUO**



**DUO 2V**



**DUO 2**

### 8.2. Akcesoria

Akcesoria, które nie stanowią standardowego wyposażenia, należy zamawiać oddzielnie!

#### 8.2.1. Automatyczny spust kondensatu

Automatyczny spust kondensatu (AOK) powoduje samoczynne odprowadzanie kondensatu ze zbiornika powietrza sprężarki w ustalonych odstępach czasu. Spust kondensatu (AOK) jest odpowiednim dodatkiem do sprężarek bez osuszacza.

Typ	Zastosowanie	Nr artykułu zestawu
AOK 11	DK50 PLUS DK50 2V	447000001-047

### 8.2.2. Regulator ciśnienia

Sprężarka może mieć regulator ciśnienia na wylocie sprężonego powietrza, jeśli określono. Regulator ten zapewnia stałe ciśnienie na wylocie. Regulatory są odpowiednimi akcesoriami dla sprężarek wymienionych powyżej.

Typ	Zastosowanie	Nr artykułu zestawu
REG11	DK50 PLUS, DK50 PLUS/M DK50 2V, DK50 2V/M	447000001-077

### 8.2.3. Zestaw filtrów

Sprężarki mogą być wyposażone w zestaw filtrów na wylocie sprężonego powietrza, jeśli określono. Zestaw filtrów może być wyposażony w regulator ciśnienia. Zestawy filtrów pasują do sprężarek wymienionych powyżej.

UWAGA: Jeśli wymagany jest wyższy poziom filtracji, specyfikacja ta musi być uzgodniona z dostawcą i wyraźnie zaznaczona w zamówieniu.

Typ	Zastosowanie	Poziom filtracji / $\mu\text{m}$ /	Regulator ciśnienia	Nr artykułu zestawu
FS 30FR	DK50 PLUS DK50 2V	5	tak	447000001-079
FS 30M		5 + 0,3	nie	447000001-080
FS 30MR		5 + 0,3	tak	447000001-081
FS 30S		5 + 0,3 + 0,01	nie	447000001-082
FS 30SR		5 + 0,3 + 0,01	tak	447000001-083
FS 31S	DK50 PLUS/M DK50 2V/M	0,3 + 0,01	nie	447000001-086
FS 31SR		0,3 + 0,01	tak	447000001-087
FS 31SR2		0,01	tak	447000001-130

### 8.2.4. Jednostka kondensacji i filtracji

Sprężarka może być dodatkowo wyposażona w jednostkę kondensacji i filtracji (KJF-1, KJF-2 lub KJFR-1). Jednostki KJF-1, KJF-2 i KJFR-1 chłodzą sprężone powietrze ze zbiornika w chłodziarce oraz za pomocą filtrów przechwytyują kondensat, który następnie automatycznie usuwają z pneumatycznego systemu rozprowadzającego. Jednocześnie filtrowane jest sprężone powietrze.

Typ	Zastosowanie	Poziom filtracji / $\mu\text{m}$ /	Regulator ciśnienia	Nr artykułu zestawu
KJF-1	DK50 PLUS	5	nie	450001011-001
KJFR-1			tak	450001011-002
KJF-2	DK50 2V		nie	450001021-001

### 8.2.5. Tłumik

Tłumik, z filtrem i bez filtra, tłumi „świszczący” odgłos powodowany przez wirnik pompy ssącej. Całkowita skuteczność tłumienia hałasu podczas pracy jednostki ssącej dochodzi do 4 dB.

- Tłumik z filtrem – dostarczany jest filtr bakteriologiczny, dzięki czemu urządzenie można instalować bezpośrednio w gabinecie.
- Tłumik montowany na ścianie – specjalnie przystosowany do instalacji naściennej.
- Tłumik montowany na ścianie z filtrem – specjalnie przystosowany do instalacji naściennej i wyposażony w filtr bakteriologiczny.

Typ	Wariant	Zastosowanie	Nr artykułu zestawu
DS2	montaż ścienny, bez filtra bakteriologicznego	DUO, DUO 2V, DUO2	451000Z01-004
DS2	montaż ścienny, z filtrem bakteriologicznym		451000Z01-005
DS4	z filtrem bakteriologicznym	DUO,DUO 2V	451000Z01-006
DS5	z filtrem bakteriologicznym	DUO2	451000Z01-007
DS6	bez filtra bakteriologicznego	DUO,DUO 2V	451000Z01-008
DS7	bez filtra bakteriologicznego	DUO2	451000Z01-009

### 8.2.6. Gniazdo wyrównywania potencjałów

Gniazdo to umożliwia wyrównywanie potencjałów. (rys. 10)

Typ	Zastosowanie	Nazwa	Nr produktu
POAG- KBT6-EC	DUO, DUO 2V, DUO2	Wtyczka do gniazda sieciowego	033400075-000
FLEXI-S/POAG-HK6		Przewód (1 m)	034110083-000

## 9. FUNKcjONALNOŚĆ PRODUKTU

### Sprężarka z jednostką ssącą(rys. 1)

Agregat sprężarki (1) zasysa powietrze atmosferyczne przez filtr wejściowy (8) i zawór zwrotny (3) sprężając je w zbiorniku powietrza (2), z którego urządzenie uzyskuje sprężone powietrze. Jeżeli ciśnienie w zbiorniku powietrza spada do ciśnienia włączającego, przełącznik ciśnieniowy (4) włącza sprężarkę, a sprężarka doprowadza sprężone powietrze do zbiornika powietrza, aż osiągnie ciśnienie wyłączające, po czym sprężarka wyłącza się. Wąż ciśnieniowy jest odpowietrzany przez elektromagnetyczny zawór bezpieczeństwa (13) po wyłączeniu agregatu sprężarki. Zawór bezpieczeństwa (5) zapobiega wzrostowi ciśnienia w zbiorniku powietrza powyżej maksymalnej dopuszczalnej wartości. Zawór spustowy (7) odprowadza kondensat ze zbiornika powietrza. Sprężone, bez oleju, filtrowane powietrze jest gromadzone w zbiorniku powietrza i jest gotowe do użycia. Kondensat musi być odprowadzany ze zbiornika powietrza w regularnych odstępach czasu (patrz rozdział 19.1).

Agregat ssący (36) (dwa agregaty w DUO2) wciąga powietrze, wytwarzając podciśnienie w przewodach ssących, które są podłączone do urządzenia, i stanowi źródło podciśnienia do usuwania substancji obcych z obszaru pracy stomatologa. Powietrze to jest następnie wyprowadzane przez przewód wylotowy poza obszar pracy.

### Sprężarka z jednostką ssącą suszarką membranową(rys. 2)

Agregat sprężarki (1) zasysa powietrze przez filtr wlotowy (8) i spręża je, doprowadzając do chłodnicy (14) przez filtr (15) i zawór zwrotny (3) do osuszacza (9), następnie suche, czyste powietrze jest doprowadzane do zbiornika powietrza (2). Część powietrza jest uwalniana z osuszacza z wychwyconą wilgocią, co objawia się w postaci łagodnego strumienia powietrza płynącego wzdłuż korpusu osuszacza (9). Kondensat z filtra jest automatycznie opróżniany do butli w regularnych odstępach czasu przez zawór elektromagnetyczny spustu kondensatu (16). Osuszacz zapewnia ciągle osuszanie sprężonego powietrza. Zawór spustowy (7) odprowadza

kondensat ze zbiornika powietrza podczas kontroli wydajności osuszania. Sprężone, bez oleju, filtrowane jest gromadzone w zbiorniku i jest gotowe do użycia.

Aby osuszacz membranowy działał prawidłowo, jest podłączony bezpośrednio do zbiornika powietrza, bez użycia zaworu zwrotnego. Ponieważ osuszacz membranowy zawiera selektywne włókna membranowe, przedostaje się przez nie niewielka ilość powietrza (ok. 0,5 bara/30 min).

Z tego względu występuje stopniowy, powolny spadek ciśnienia nawet wtedy, gdy sprężone powietrze nie jest pobierane (ze zbiornika powietrza), co nie stanowi wadliwego działania.

Zbiornik ciśnieniowy nie musi być opróżniany z kondensatu.

Agregat ssący (36) (dwa agregaty w DUO2) wciąga powietrze, wytwarzając podciśnienie w przewodach ssących, które są podłączone do urządzenia, i stanowi źródło podciśnienia do usuwania substancji obcych z obszaru pracy stomatologa. Powietrze to jest następnie wprowadzane przez przewód wylotowy poza obszar pracy.

### Obudowa sprężarki (rys.3)

Dźwiękoszczelna obudowa ma niewielkie rozmiary, ale zapewnia dostateczną wymianę powietrza chłodzącego. Jej wygląd pozwala na ustawienie jej w gabinecie dentystycznym jako mebla. Znajdujący się pod agregatem sprężarki wentylator chłodzi agregat i włącza się razem z silnikiem sprężarki. Po dłuższej pracy sprężarki temperatura w obudowie może osiągnąć ponad 40°C. Wówczas automatycznie zostanie włączony wentylator chłodzenia. Po wychłodzeniu przestrzeni obudowy poniżej około 32°C, wentylator zostanie automatycznie wyłączony. Prawe drzwiczki obudowy można zmienić na lewe (patrz rozdział 12.2).



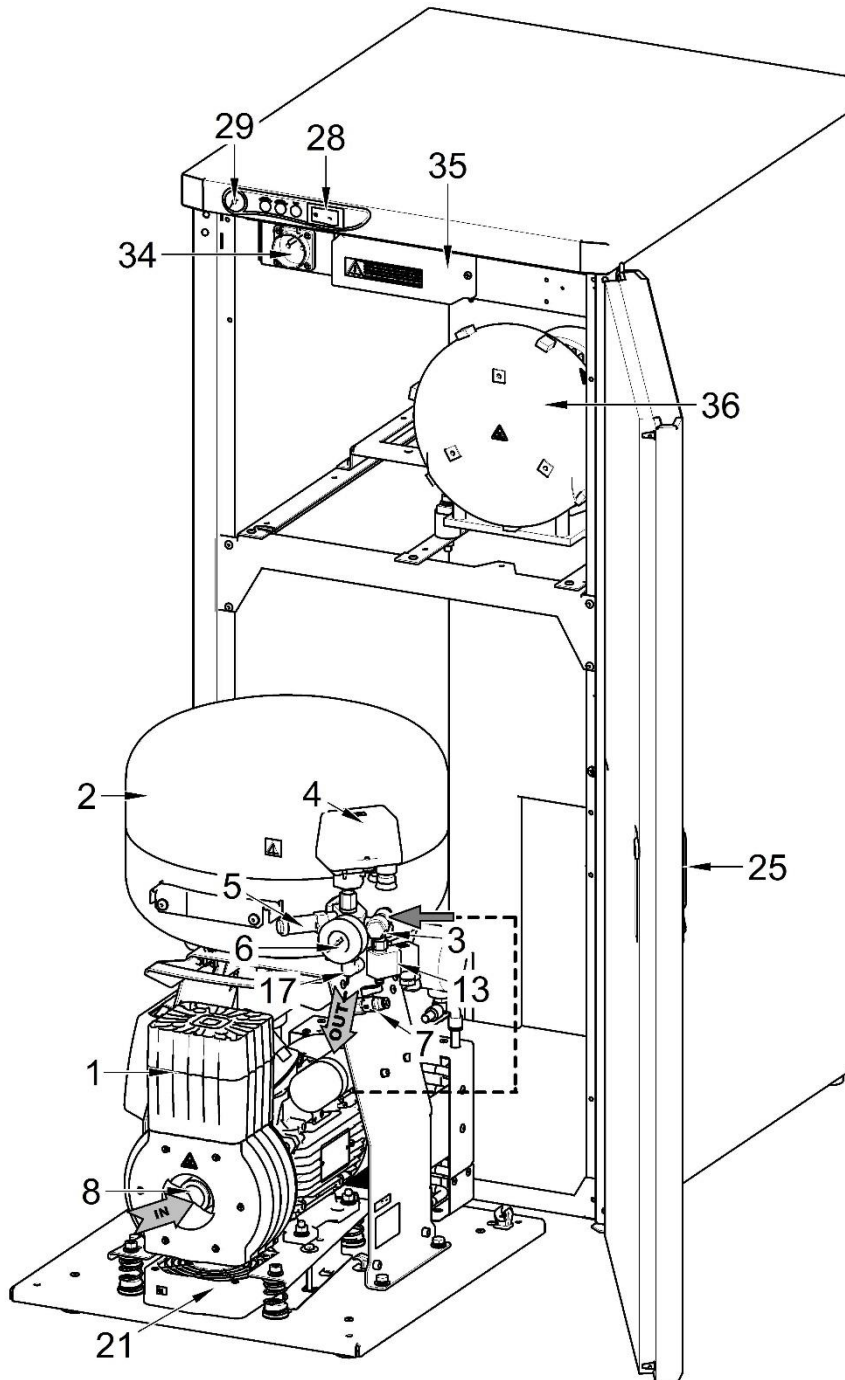
**Pod sprężarką i wokół niej należy zapewnić swobodny przepływ powietrza. Nie wolno zakrywać wylotu gorącego powietrza z tyłu górnej części obudowy.**



**W przypadku ustawienia sprężarki na miękkiej podłodze, na przykład na dywanie, należy utworzyć lukę pomiędzy podstawą i podłogą lub obudową i podłogą, na przykład przez podłożenie twardych podkładek pod nóżki.**

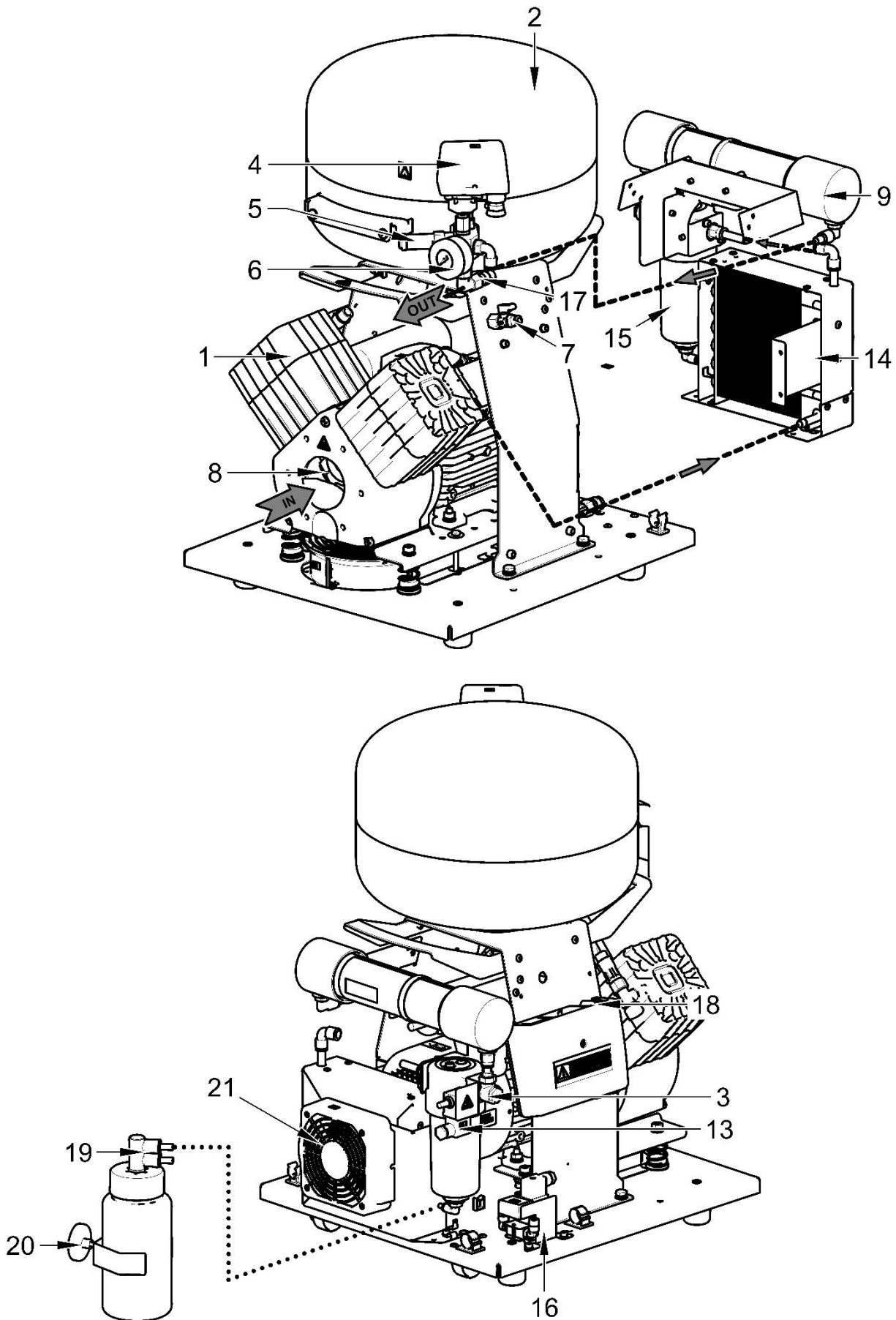
Rys.1 - DUO - Sprężarka z jednostką ssącą

Opis rysunków 1– 3

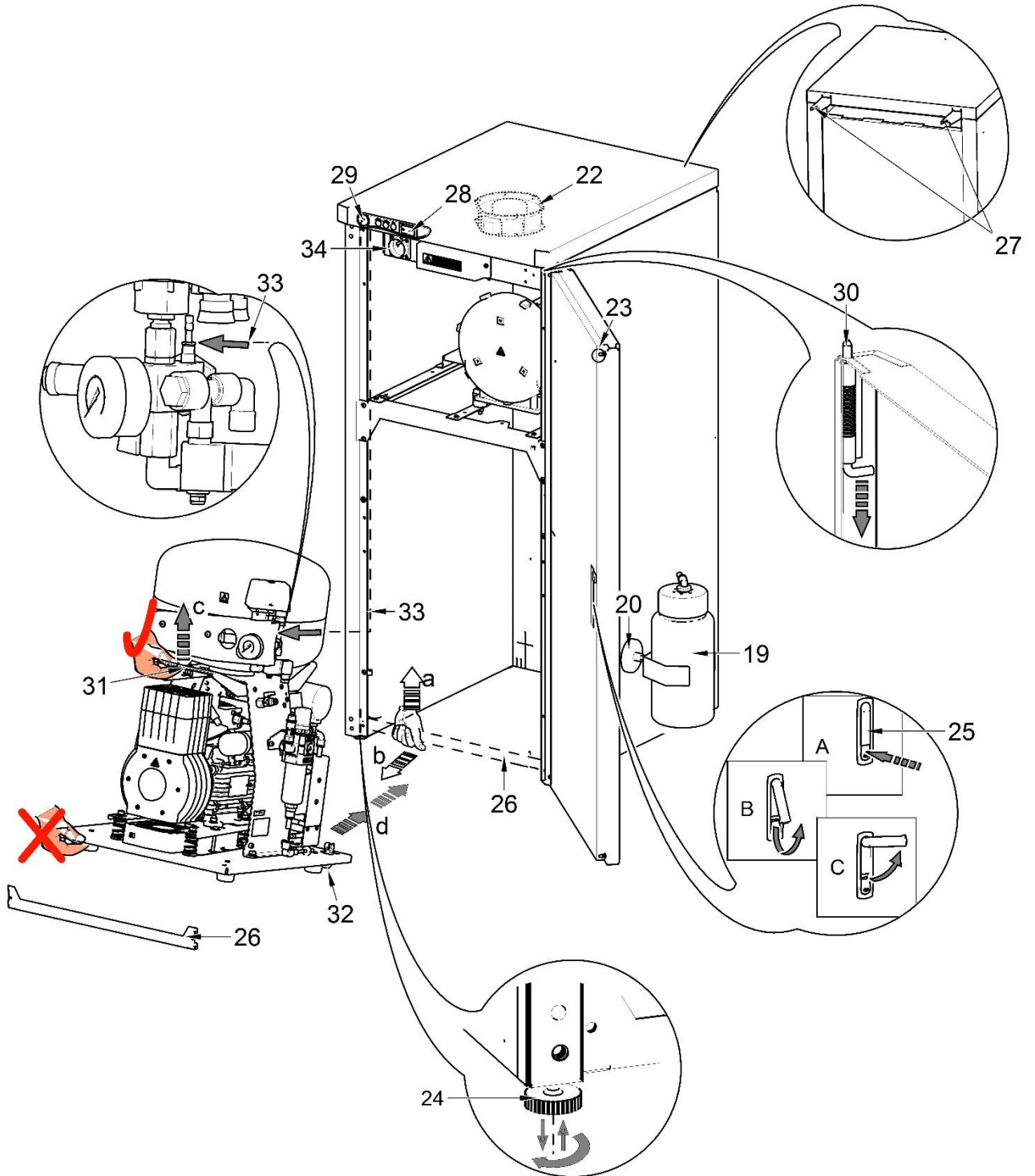


- 1 Agregat sprężarki
- 2 Zbiornik powietrza
- 3 Zawór zwrotny
- 4 Łącznik ciśnieniowy
- 5 Zawór bezpieczeństwa
- 6 Ciśnieniomierz
- 7 Zawór spustowy
- 8 Filtr wlotowy
- 9 Osuszacz
- 10 -
- 11 -
- 12 -
- 13 Zawór elektromagnetyczny
- 14 Chłodnica osuszacza
- 15 Filtr
- 16 Zawór elektromagnetyczny spustu kondensatu
- 17 Wylot powietrza sprężonego
- 18 Wyłącznik obwodu
- 19 Butla
- 20 Magnetyczny uchwyt
- 21 Wentylator
- 22 Wentylator obudowy
- 23 Trzpień drzwiczek
- 24 Śruba regulująca
- 25 Blokada
- 26 Wspornik
- 27 Odbojnik
- 28 Przełącznik
- 29 Ciśnieniomierz
- 30 Zawias drzwiczek
- 31 Uchwyt
- 32 Otwory
- 33 Wąż ciśnieniomierza
- 34 Gniazdo
- 35 Blok przełączający jednostki ssącej
- 36 Jednostka ssąca

Rys.2 - DK50 2V/M- Sprężarka z suszarką membranową

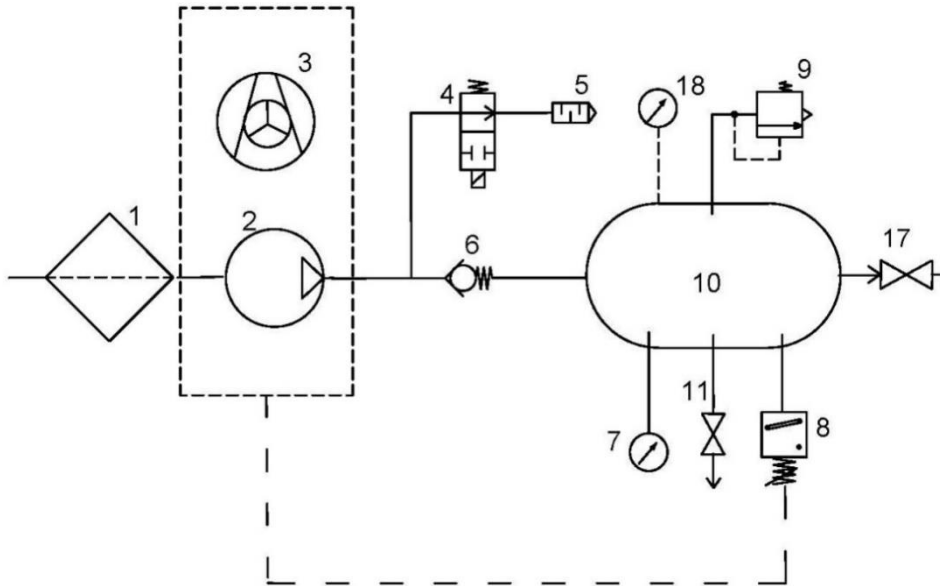


Rys.3 - ObudowaDUO

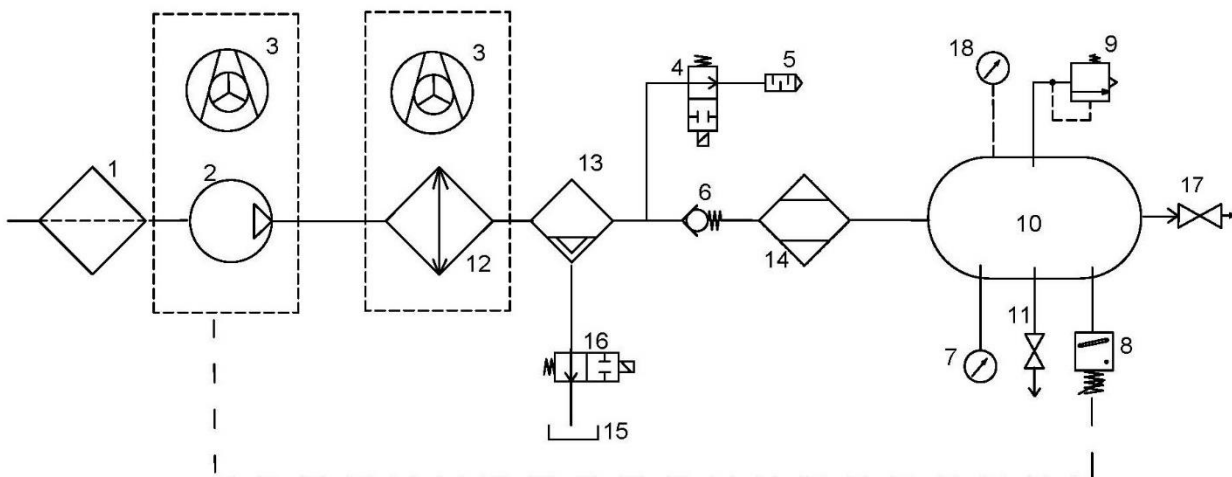


10. SCHEMAT UKŁADU PNEUMATYCZNEGO

DK50 PLUS, DK50 2V



DK50 PLUS/M, DK50 2V/M



Legenda schematu układu pneumatycznego

- |                         |                                                |
|-------------------------|------------------------------------------------|
| 1. Filtr wlotowy        | 10. Zbiornik powietrza                         |
| 2. Sprężarka            | 11. Zawór spustowy                             |
| 3. Wentylator           | 12. Chłodnica                                  |
| 4. Zawór bezpieczeństwa | 13. Filtr koalescencyjny                       |
| 5. Tłumik               | 14. Osuszacz membranowy                        |
| 6. Zawór zwrotny        | 15. Naczynie na kondensat                      |
| 7. Ciśnieniomierz       | 16. Zawór elektromagnetyczny spustu kondensatu |
| 8. Łącznik ciśnieniowy  | 17. Zawór wyjściowy                            |
| 9. Zawór bezpieczeństwa | 18. Miernik ciśnienia w obudowie               |



## INSTALACJA

### 11. WARUNKI UŻYTKOWANIA

- Urządzenie może być instalowane i eksploatowane wyłącznie w suchym, dobrze wentylowanym i czystym środowisku o parametrach środowiskowych spełniających wymagania określone w rozdziale 7. Dane techniczne. Sprężarka powinna zostać zainstalowana w taki sposób, aby zawsze była łatwo dostępna do obsługi i konserwacji. Należy zadbać, aby etykieta urządzenia była łatwo dostępna.
- Urządzenie musi stać na płaskiej, odpowiednio stabilnej podstawie (należy wziąć pod uwagę wagę sprężarki, patrz rozdział 7. Dane techniczne).
- Urządzenie nie może pracować na wolnym powietrzu, w wilgotnych ani mokrych środowiskach. Zabronione jest użytkowanie urządzenia w pomieszczeniu, w którym są obecne gazy wybuchowe, kurz lub ciecze łatwopalne
- Przed wbudowaniem sprężarki do urządzeń medycznych dostawca powinien potwierdzić, czy spełnia wszystkie wymagania dotyczące użytkowania. W tym celu należy przestrzegać warunków technicznych produktu. Jeżeli jednostka ma być wbudowana, wyboru oraz oceny parametrów musi dokonać producent lub dostawca produktu, który ma być używany.
- Inne lub wykraczające poza opisane ramy zastosowanie uważa się za niezgodne z przeznaczeniem. Producent nie odpowiada za szkody wynikłe z takiego użytkowania urządzenia. Ryzyko ponosi wyłącznie operator/użytkownik.



**Montaż i uruchomienie sprężarki może przeprowadzać wyłącznie wykwalifikowany specjalista. Specjalista ten jest zobowiązany do przeszkolenia personelu obsługującego urządzenie w zakresie jego obsługi i konserwacji. Instalacja i szkolenie wszystkich operatorów muszą być potwierdzone podpisem instalatora na świadectwie instalacji.**



**Przed pierwszym uruchomieniem należy usunąć wszystkie zabezpieczenia służące unieruchomieniu urządzenia podczas transportu – ich pozostawienie grozi uszkodzeniem produktu.**



**Części agregatu i jednostki ssącej mogą być gorące i podczas pracy sprężarki mogą osiągać niebezpieczne temperatury dla operatora i materiałów eksploatacyjnych. Ryzyko oparzenia lub pożaru! Ostrzeżenie! Gorąca powierzchnia!**

### Warunki otoczenia podczas pracy

*Temperatura: Od +5°C do +40°C,  
Maks. wilgotność względna: 70%,  
Maks. wilgotność bezwzględna: 15 g/m<sup>3</sup>.*

## 12. UMIEJSCOWIENIE SPRĘŻARKI



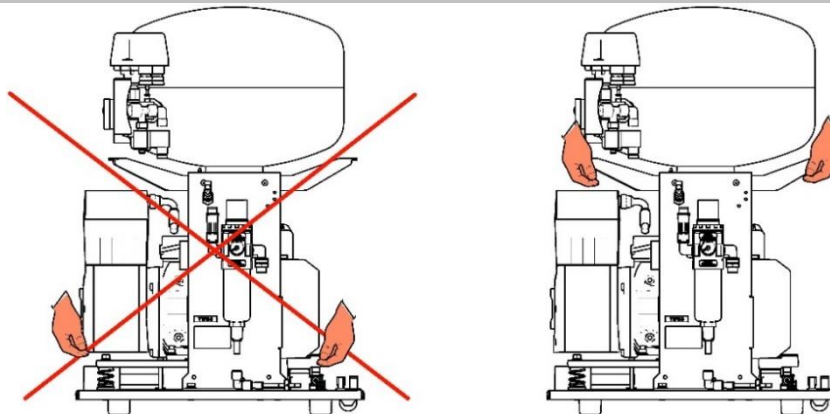
Urządzenie powinno zostać zainstalowane przez wykwalifikowanego specjalistę.

- Wypakować sprężarkę z opakowania.

### 12.1. Obsługa i odłączanie sprężarki

- Ustawić sprężarkę w miejscu przyszłej pracy (rys. 4)

Rys. 4

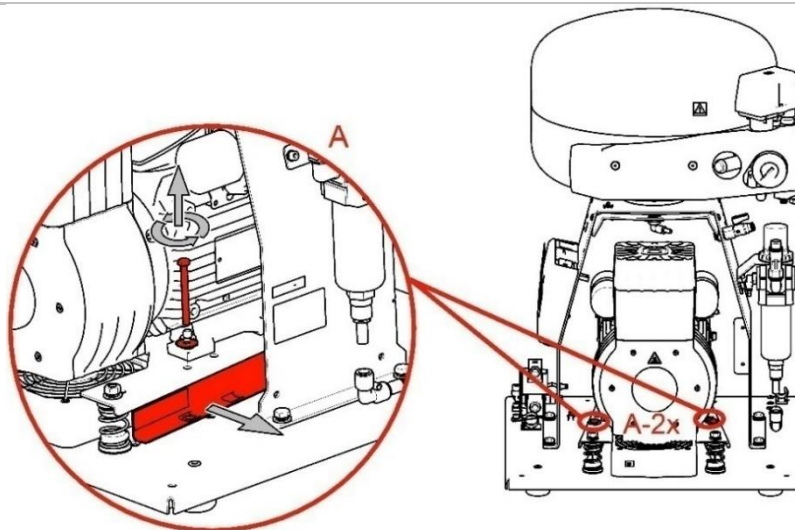


- Usunąć stabilizatory transportowe z agregatów. (rys. 5)



Po umieszczeniu i zainstalowaniu zespołu w miejscu ostatecznej instalacji należy usunąć wszystkie elementy zabezpieczające agregaty sprężarki!

Rys. 5

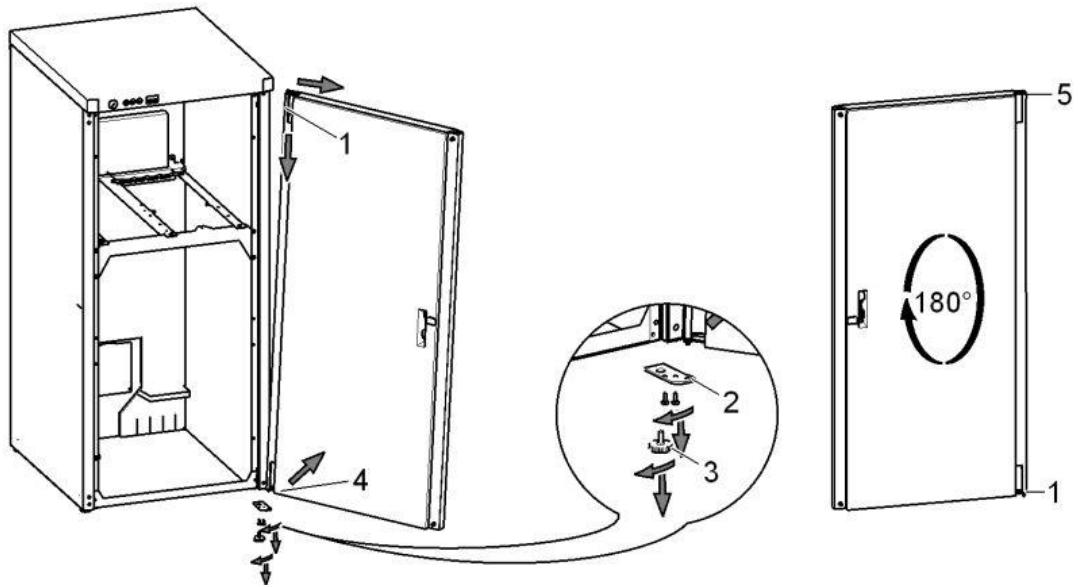


### 12.2. Zmiana kierunku otwierania drzwiczek

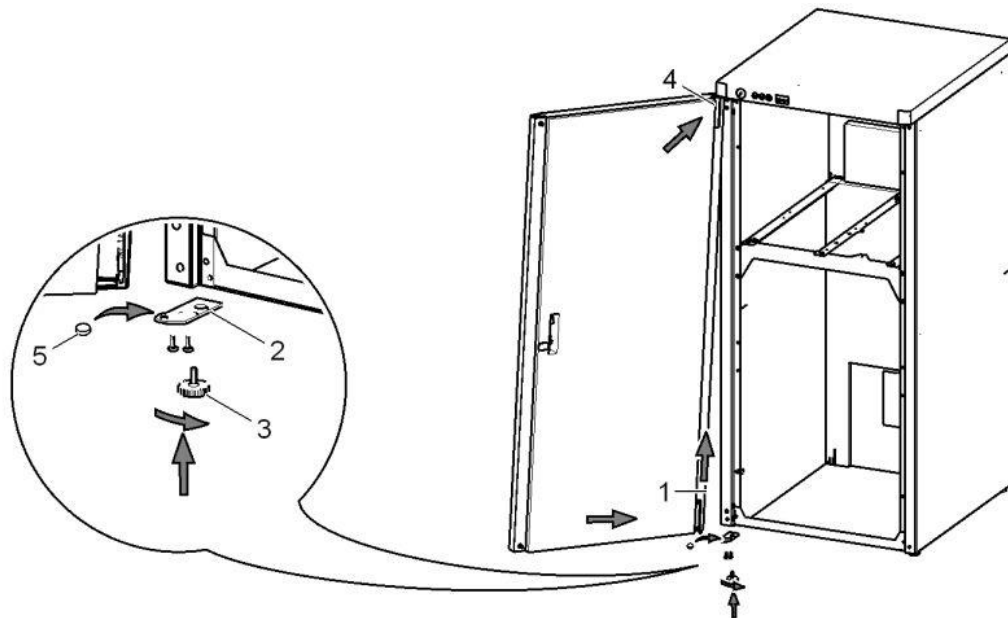
- Wymontować drzwiczki, śrubę regulacji (3) i wspornik (2) zawiasu D (4).
- Zamontować wspornik zawiasu D (2) z lewej strony obudowy.
- Obrócić drzwiczki o 180°.
- Włożyć dystans (5) między zawias H (1) i dół drzwiczek.
- Zamontować drzwiczki.
- Wymontować blokadę drzwiczek (6) i obrócić ją o 180°.
- Wymontować zasuwę (7) i obrócić ją o 180°.
- Zamontować blokadę.

DUO, DUO 2V, DUO 2

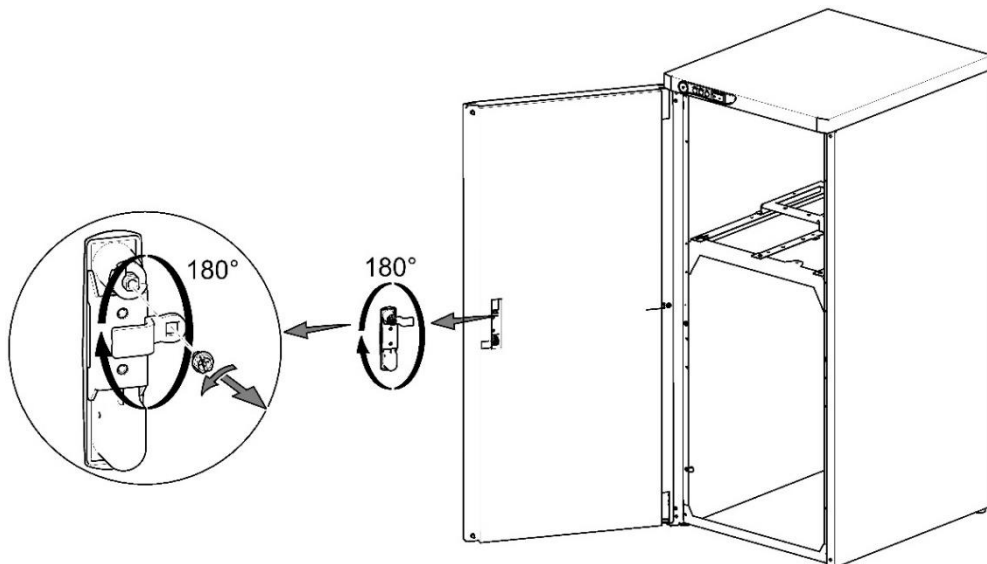
A



B



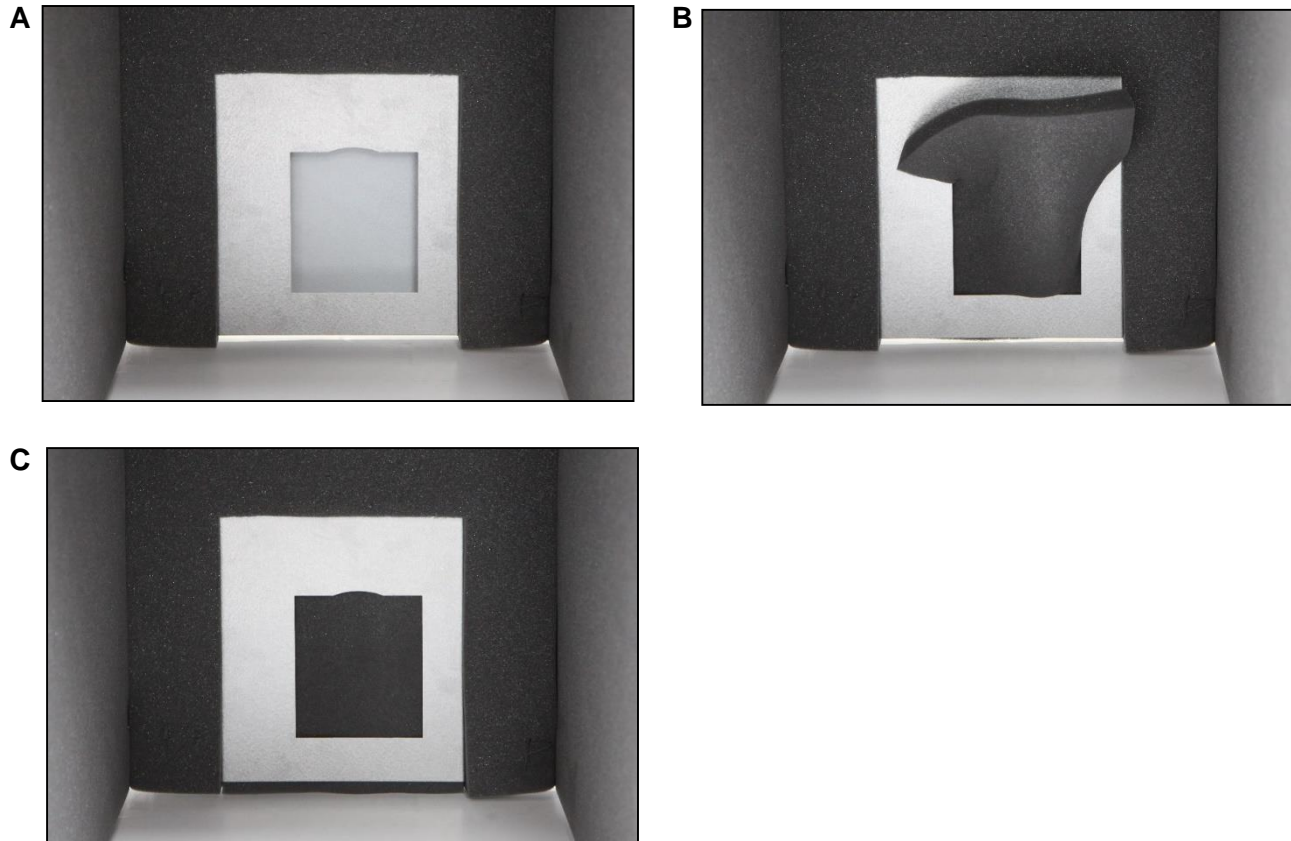
C



### 12.3. Wkładanie materiału dźwiękochłonnego do obudowy

Komponent z materiału dźwiękochłonnego należy zamontować w otworze obudowy sprężarki bez osuszacza.

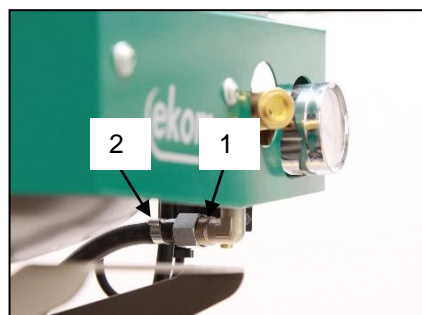
Komponent ten jest standardowo dołączany do produktu.



## 13. POŁĄCZENIA PNEUMATYCZNE

### 13.1. Podłączanie do wylotu sprężonego powietrza (rys. 6)

Przewód ciśnieniowy (2) należy podłączyć do wylotu sprężonego powietrza (1) sprężarki. Poprowadzić przewód do kolektora sprężonego powietrza lub bezpośrednio do modułu stomatologicznego.



Rys. 6

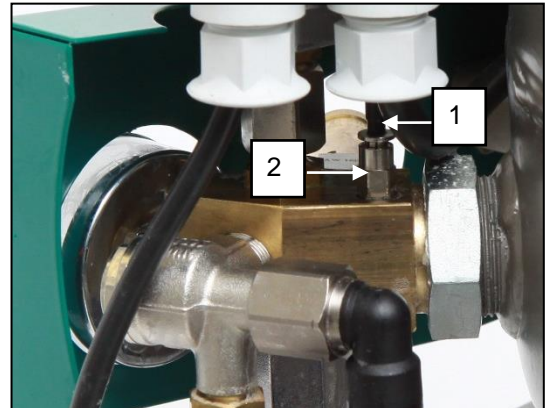
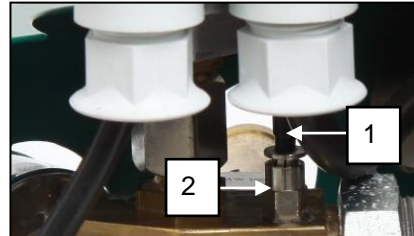


Poprowadź wąż ciśnieniowy przez otwór w tylnej ścianie obudowy sprężarki z obudową. (rys. 8)

### 13.2. Podłączenie miernika ciśnienia w obudowie do sprężarki (rys. 7)

Odkręć korek (1) z końcówek (2) na bloku pneumatycznym sprężarki.. Podłączyć wąż ciśnieniomierza obudowy do gwintowanego łącznika.

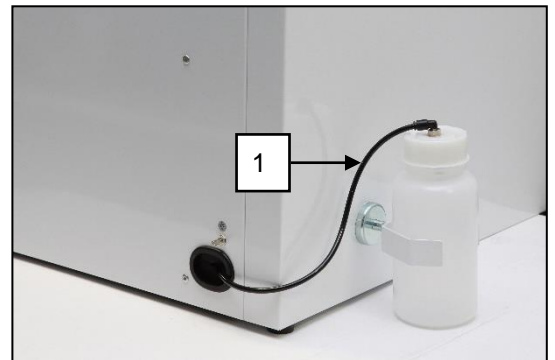
Rys. 7



### 13.3. Montaż naczynia na kondensat (rys. 8)

- Poprowadź wąż (1) przez otwór w tylnej ścianie obudowy sprężarki z osuszaczem i podłącz go do naczynia.

Rys. 8



### 13.4. Złączka podciśnieniowa

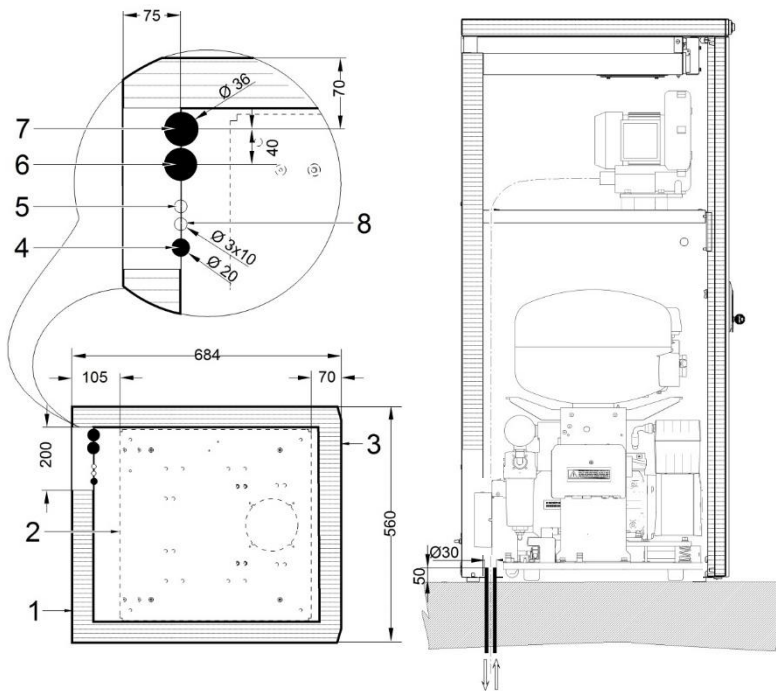
(rys. 9)

Agregat ssący jest wyposażony w węże ssania i spustowy. Węże podłączone do wejścia/wyjścia agregatu ssącego bieżą wzdłuż tylnej ścianki obudowy do dołu. Węże agregatu ssącego można podłączyć do rur w podłodze lub wyprowadzić przez tylny otwór w obudowie (10). Podłącz wąż ssący do urządzenia, a wąż spustowy do rur wyprowadzonych poza obszar pracy operatora. Na wylocie jednostki ssącej można zamontować tłumik w celu ograniczenia hałasu wywołanego przez powietrze przechodzące przez wąż (patrz rozdział 8.2.Akcesoria). Jeśli powietrze wychodzące z jednostki ssącej trafia do wnętrza budynku, należy zamontować tłumik z filtrem bakteriologicznym.



**Ryzyko skażenia biologicznego Wąż spustowy pompy ssącej należy wyprowadzić poza obszar pracy operatora lub należy zamontować tłumik z filtrem biologicznym.**

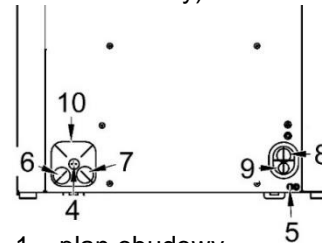
Rys. 9A – instalacja jednostki DUO, DUO 2V (układ rozprzewadzenia w podłodze)



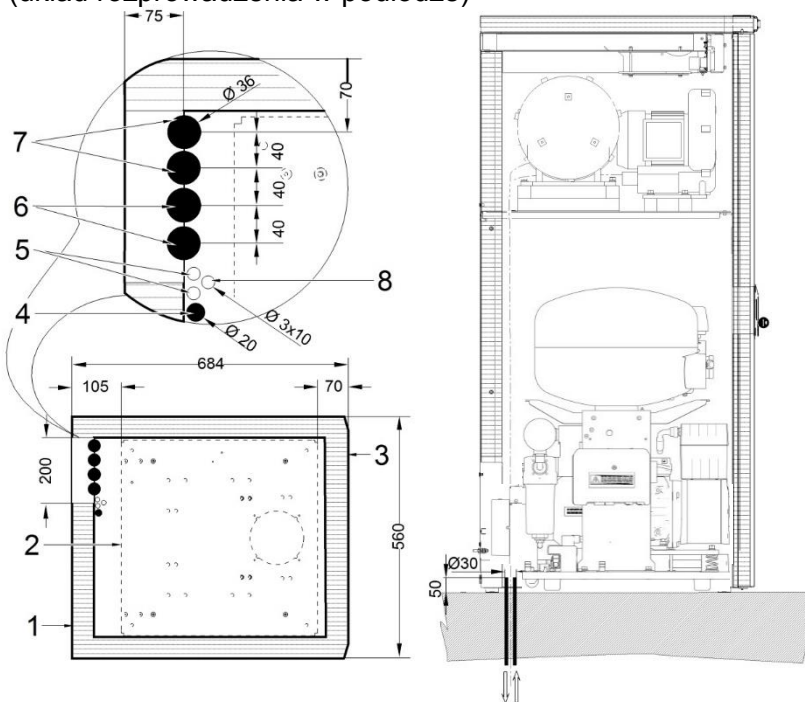
- 1 – Kontur obudowy
- 2 – Kontur podstawy
- 3 – Część przednia – drzwiczki
- 4 – Podłączenie przewodu ciśnieniowego powietrza G3/8"
- 5 – Włot kontrolny jednostki ssącej 2A x 0,75
- 6 – Włot jednostki ssącej
- 7 – Wylot jednostki ssącej
- 8 – Jednostka zasilania 230 V/50 (60) Hz, 3G x 1,5
- 9 – Spust kondensatu dla wersji z osuszaczem

-Wszystkie wymiary podane w milimetrach  
 -Odległość od tylnej ściany produktu do przeszkody lub ściany - nie mniej niż 100 mm

(Podłączenie przez otwór w tylnej ścianie obudowy)



Rys. 9B – instalacja jednostki DUO 2 (układ rozprzewadzenia w podłodze)



- 1 – plan obudowy
- 2 – plan podstawy
- 3 – Część przednia – drzwiczki
- 4 – Podłączenie przewodu ciśnieniowego powietrza G3/8"
- 5 – doprowadzenie zasilania sterującego do jednostki ssącej 2A x 0,75
- 6 – wlot + wylot pierwszej jednostki ssącej
- 7 – wlot + wylot drugiej jednostki ssącej (DUO 2)
- 8 – doprowadzenie zasilania 230 V / 50 (60) Hz 3G x 1,5

- wszystkie wymiary podane w milimetrach  
 - odstęp od ściany min. 100 mm

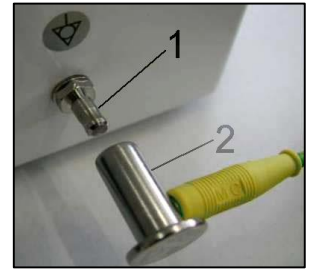
## 14. PRZYŁĄCZA ELEKTRYCZNE

Produkt jest dostarczany z wtyczką z bolcem ochronnym. Włożyć wtyczkę sieciową do gniazdka sieciowego.



**Zapewnić pełną zgodność z lokalnymi przepisami elektrycznymi. Napięcie sieci oraz częstotliwość powinny odpowiadać danym na etykiecie urządzenia.**

- Ze względu na bezpieczeństwo gniazdo powinno być łatwo dostępne, aby w przypadku awarii urządzenie można było szybko odłączyć od sieci.
- Obwód prądu elektrycznego powinien być zabezpieczony maksymalnie bezpiecznikiem 16 A.
- Podłączyć wtyk wyrównywania potencjałów  $\varnothing$  6 mm (1) do obwodu elektrycznego w sposób określony w odpowiednich przepisach elektrotechnicznych. Gniazda wyrównywania potencjałów (2) to część dodatkowa, która nie jest dostarczana w podstawowym wyposażeniu. (rys. 10)



Rys. 10



**Upewnić się, że przewód elektryczny nie dotyka gorących elementów sprężarki. Niebezpieczeństwo porażenia prądem elektrycznym!**



**Jeżeli którykolwiek przewód elektryczny lub powietrzny uległ uszkodzeniu, musi zostać natychmiast wymieniony.**

Poprowadź przewód elektryczny przez otwór z tyłu obudowy lub podłącz go do wyprowadzenia w podłodze (rys. 8, 9).

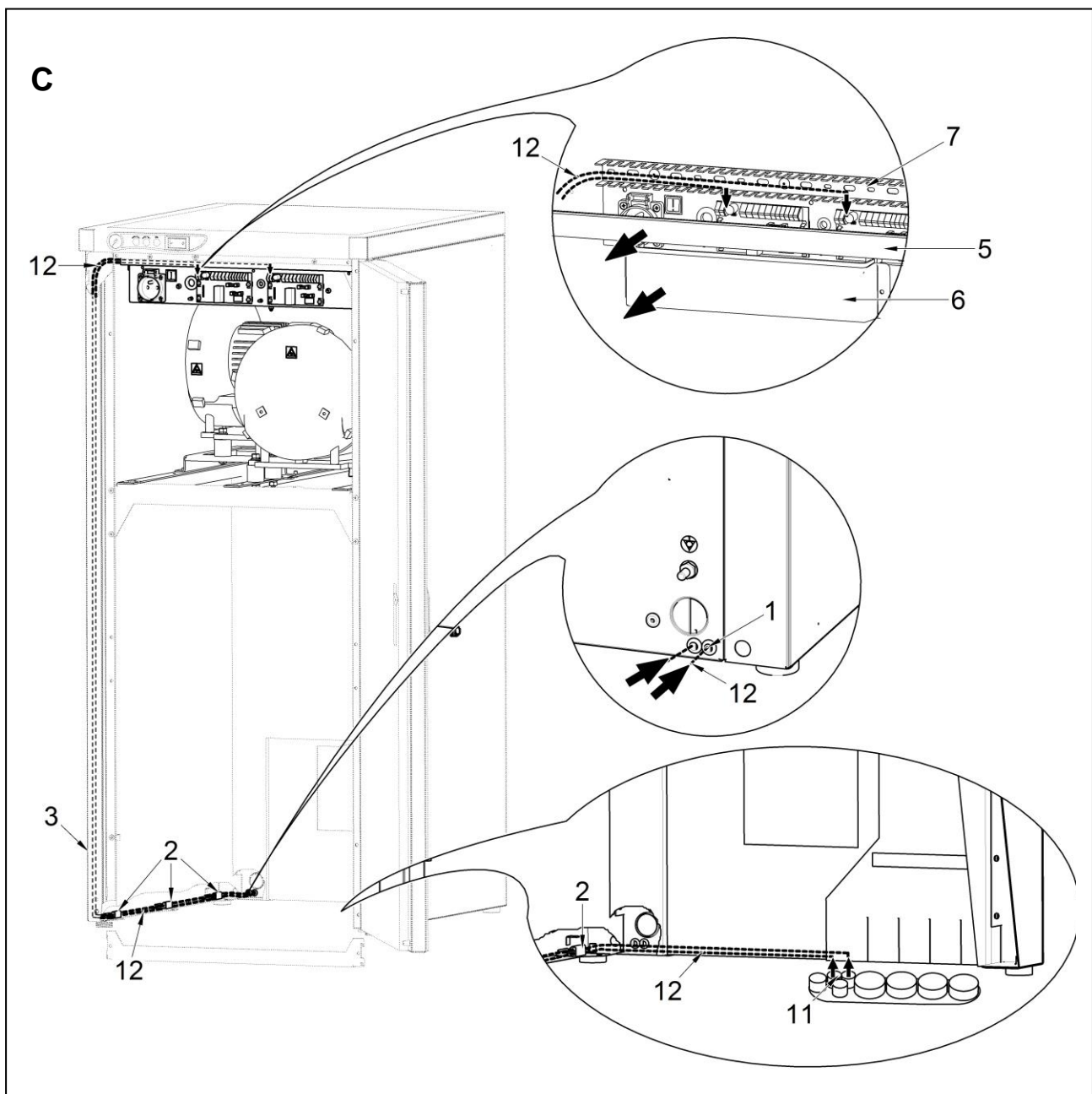
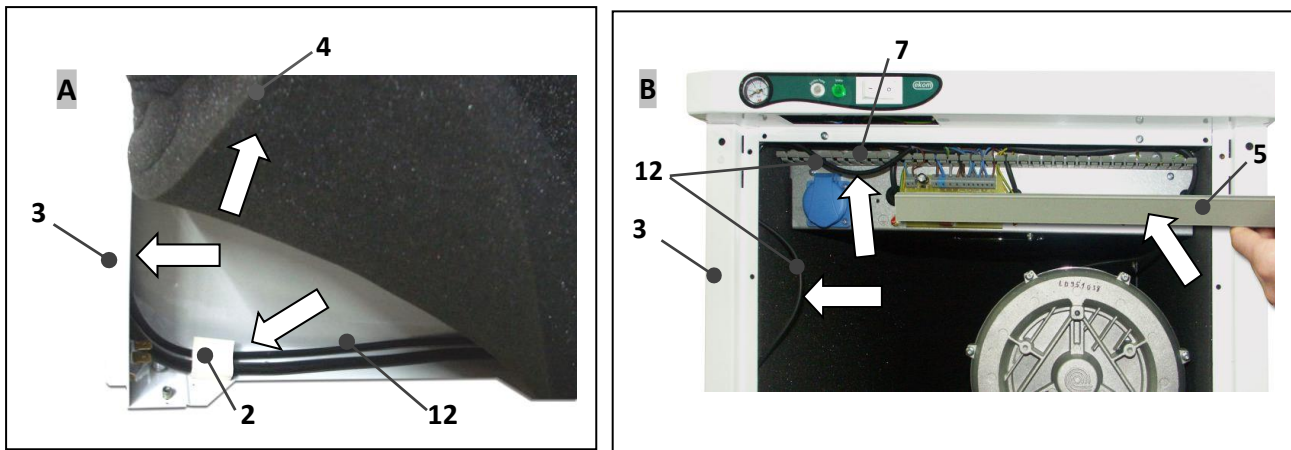
### 14.1. Złącze kontrolne jednostki ssącej

(rys. 11)

Poprowadź przewód kontrolny jednostki ssącej (24 V AC/DC) (12) przez otwór w tylnej ścianie obudowy (1) lub rurę w podłodze (11) i przymocuj go za pomocą zacisków (2) znajdujących się na dole na lewej płycie obudowy, po czym wyprowadź przewód przez wnękę (3) z przodu obudowy. Przed przymocowaniem przewodu za pomocą klipsów odsuń wyłuszenie (4) z rogów obudowy. Zdejmij osłonę kanału obwodu elektrycznego (5) i panelu elektrycznego (6). Podłącz przewód kontrolny jednostki ssącej do płytki drukowanej w sposób ukazany na schemacie, przełóż go przez wnękę (3) z przodu obudowy, poprowadź go za wyłumieniem z boku obudowy i wprowadź do kanału obwodu elektrycznego (7).



**Upewnij się, że przewód elektryczny nie dotyka gorących elementów sprężarki. Może to spowodować uszkodzenie izolacji!**



Rys. 11



**DUO, DUO 2V, DUO 2**

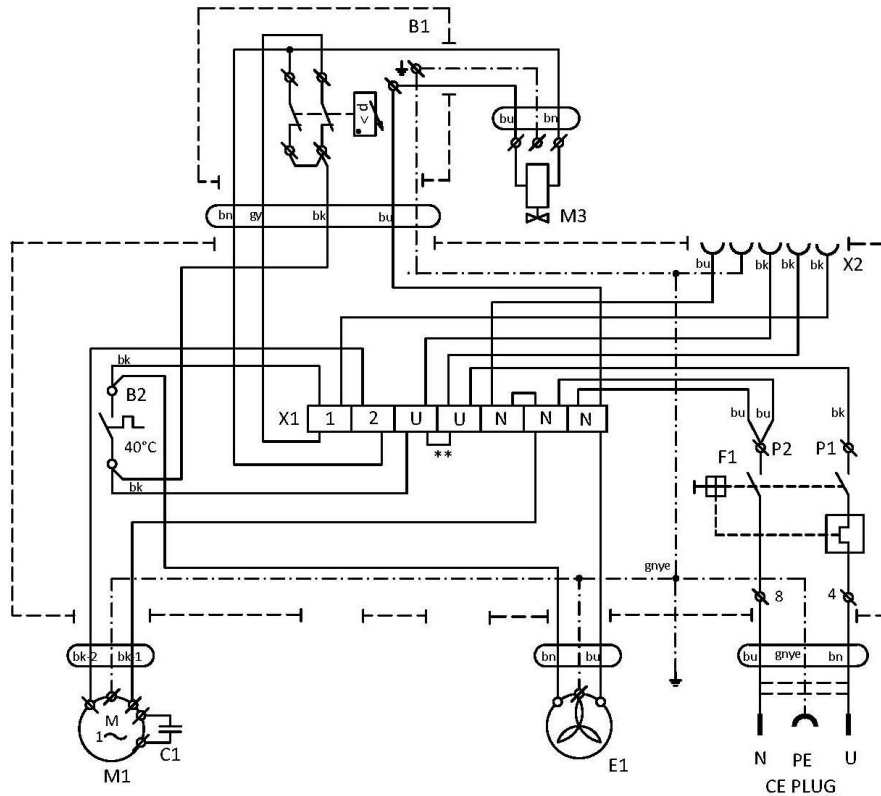
**15. SCHEMAT POŁĄCZEŃ**

**DK50 PLUS, DK50 2V**

**5-7 bar, 6-8 bar**

1/N/PE ~ 230V/50Hz, 230V/60Hz

PRODUKT ELEKTRYCZNY KLASY 1.

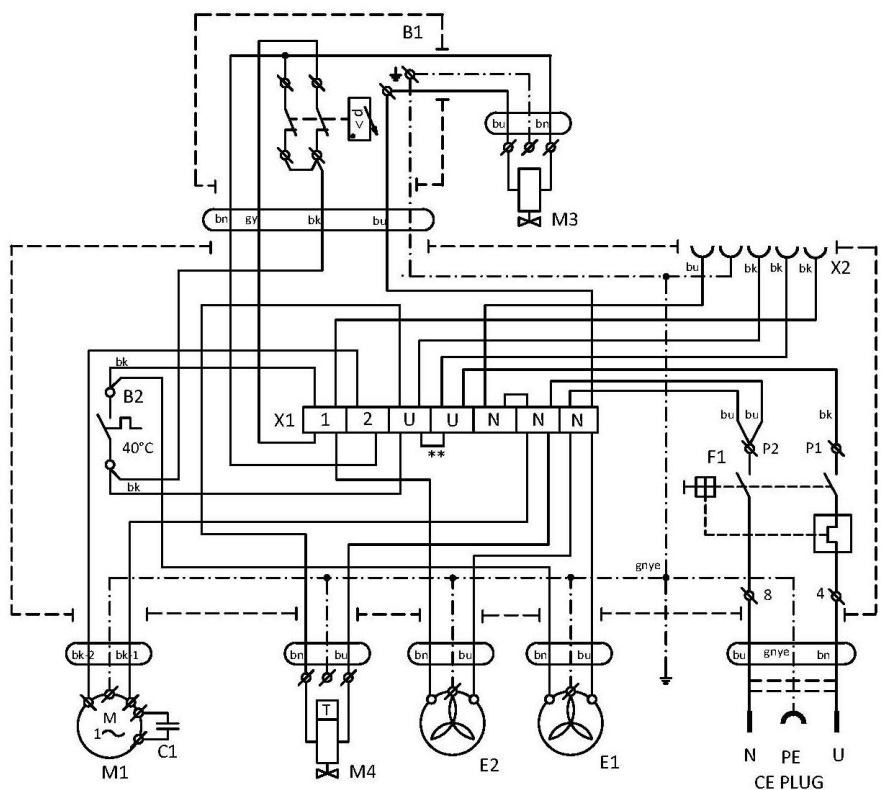


**DK50 PLUS/M, DK50 2V/M**

**5-7 bar, 6-8 bar**

1/N/PE ~ 230V/50Hz, 230V/60Hz

PRODUKT ELEKTRYCZNY KLASY 1.

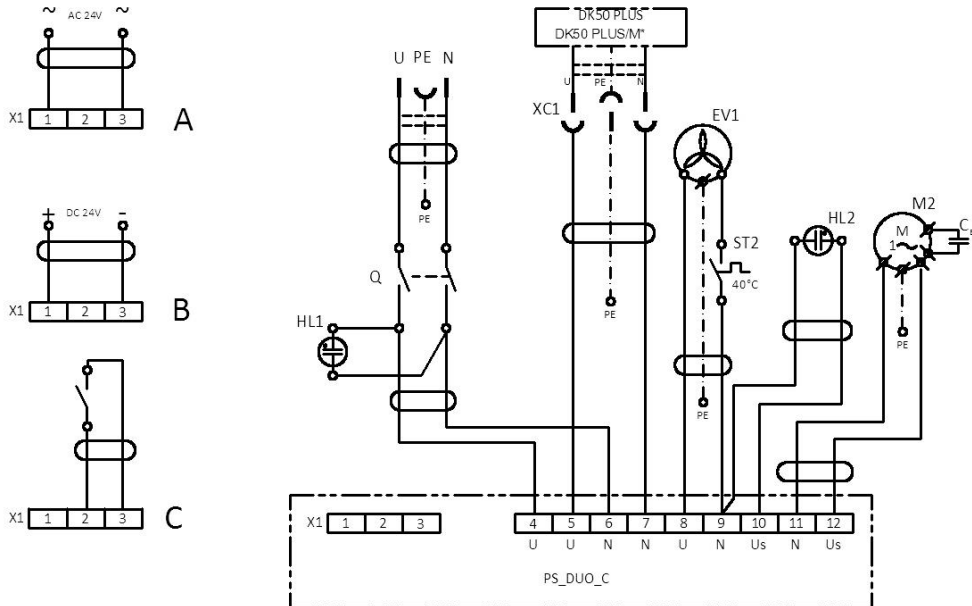


Obudowa Duo z jednostką ssącą

DUO

1/N/PE ~ 230V/50Hz, 230V/60Hz

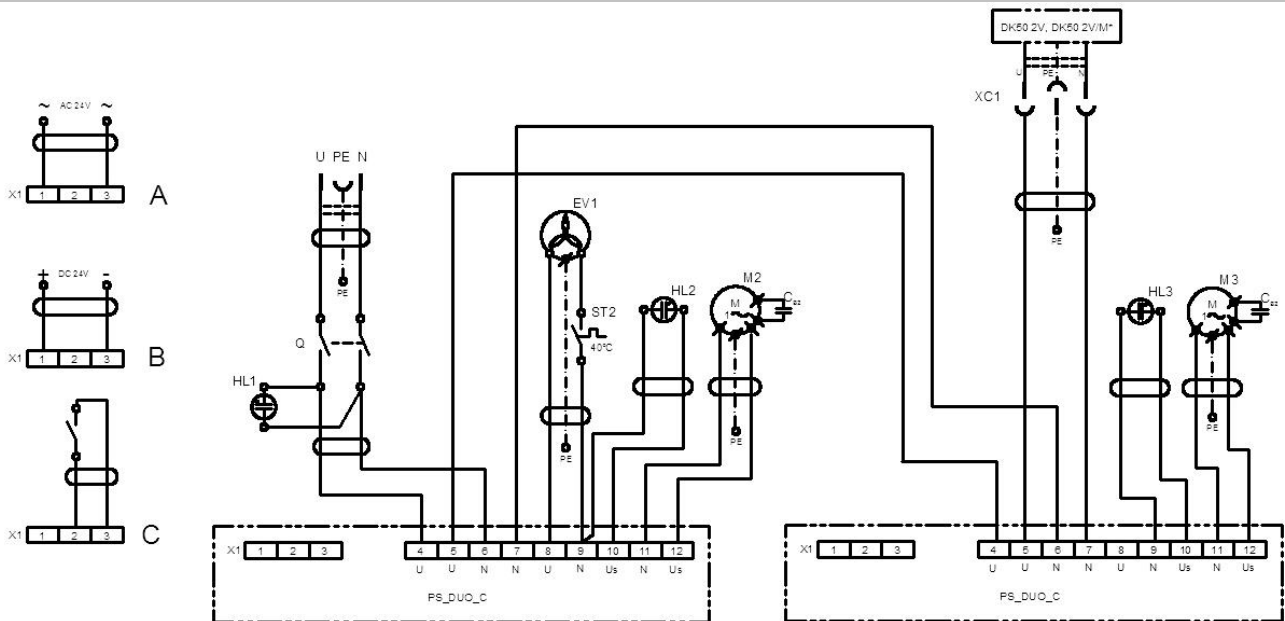
PRODUKT ELEKTRYCZNY KLASY 1.



DUO2, DUO 2V

1/N/PE ~ 230V/50Hz, 230V/60Hz

PRODUKT ELEKTRYCZNY KLASY 1.



Legenda schematu połączeń elektrycznych

M1	Silnik sprężarki	X1	Skrzynka zaciskowa
E1	Wentylator sprężarki	F1	Wyłącznik
E2	Wentylator osuszacza	M4	Zawór spustowy kondensatu
M3	Zawór bezpieczeństwa	XC1	Gniazdo
B2	Wyłącznik temperaturowy	HL1,HL2	Wskaźniki
EV1	Wentylator obudowy	HL3	Wskaźniki
X2	Złącze	M2, M3	Silnik jednostki ssącej
C1, Cb	Kondensator	ST2	Przełącznik temperaturowy
B1	Przełącznik ciśnieniowy	Q	Przełącznik

**EKSPLOATACJA**

**URZĄDZENIE MOŻE OBSŁUGIWAĆ TYLKO PRZESZKOLONY PERSONEL !**



**W RAZIE NIEBEZPIECZEŃSTWA NALEŻY ODŁĄCZYĆ SPRĘŻARKĘ OD SIECI ELEKTRYCZNEJ (WYCIĄGNAĆ WTYCZKĘ PRZEWODU).**



**AGREGAT SPRĘŻARKI MA GORĄCE POWIERZCHNIE. DOTKNIĘCIE GROZI OPARZENIEM LUB ZAPŁONEM.**



Przy dłuższej pracy sprężarki i jednostki ssącej temperatura w obudowie wzrośnie powyżej 40°C, co spowoduje automatyczne załączenie wentylatora chłodzącego. Gdy temperatura spadnie poniżej 32°C, wentylator się wyłączy.



Automatyczne uruchomienie: kiedy ciśnienie w zbiorniku ciśnieniowym spadnie poniżej ciśnienia włączającego, sprężarka automatycznie się włączy. Kiedy ciśnienie w zbiorniku powietrza osiągnie wartość wyłączającą, sprężarka automatycznie się wyłączy.



Nie można zmieniać ustawień ciśnienia roboczego przełącznika ciśnieniowego ustalonego przez producenta. Praca kompresora przy ciśnieniu roboczym poniżej ciśnienia załączania oznacza duże zużycie powietrza (patrz rozdział ROZWIĄZYWANIE PROBLEMÓW - Usterki)



Wymagana wydajność osuszania może być osiągnięta tylko przy zachowaniu określonych warunków roboczych!



Jeżeli osuszacz będzie pracował przy ciśnieniu poniżej minimalnego ciśnienia roboczego, jego wydajność pogorszy się i spadnie osiągnięty punkt rosy!



**EKSPLOATACJA OSUSZACZA W TEMPERATURZE WYŻSZEJ NIŻ MAKSYMALNA TEMPERATURA ROBOCZA GROZI USZKODZENIEM URZĄDZENIA!**

**16. URUCHOMIENIE**

- Upewnić się, że wszystkie stabilizatory transportowe zostały usunięte.
- Skontrolować prawidłowość podłączenia przewodów powietrza sprężonego.
- Sprawdzić, czy zasilanie jest prawidłowo podłączone do sprężarki.
- Sprawdź połączenie węża ciśnieniomierza obudowy z blokiem pneumatycznym sprężarki. (Rys. 3 a 7)
- Sprawdź przewód elektryczny sprężarki podłączony do gniazda obudowy (34). (Rys. 3)
- Sprawdź podłączenie przewodu sterującego jednostki ssącej (12). (Rys. 11)
- Sprawdź podłączenie przewodów wlotowego i wylotowego. (Rys. 9)
- Sprawdź położenie wyłącznika – musi znajdować się w pozycji „I”. Jeśli wyłącznik (4) jest w pozycji „0”, przestaw go do pozycji „I”. (Rys. 12)
- Przestaw wyłącznik (5) na przedzie obudowy do pozycji „I”. Zielony wskaźnik oznacza, że urządzenie działa. (Rys. 12)



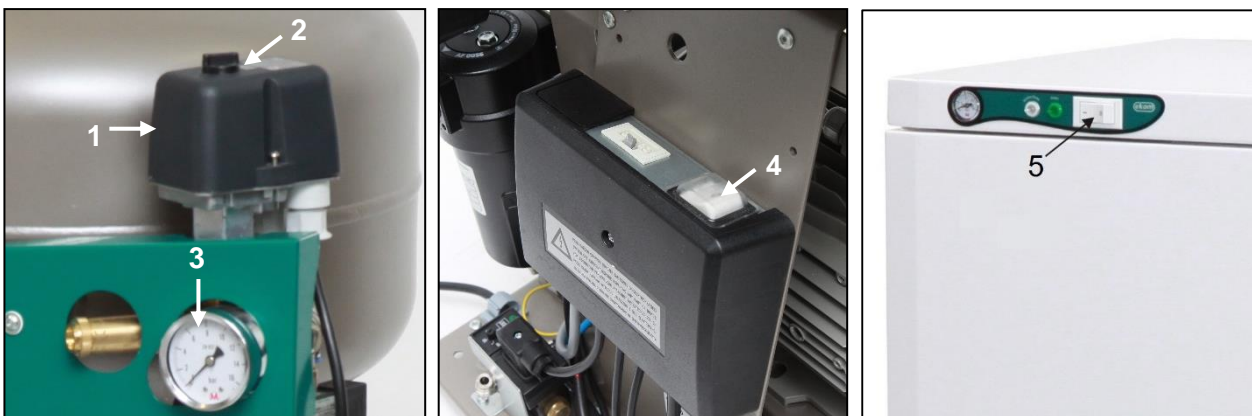
**Sprężarka nie zawiera rezerwowego źródła energii elektrycznej.**

## 17. WŁĄCZANIE SPRĘŻARKI

(rys. 12)

Włącz sprężarkę przy przełączniku ciśnienia (1), przestawiając przełącznik (2) do pozycji „I”. Sprawdź położenie wyłącznika – musi znajdować się w pozycji „I”. Jeśli jest inaczej, przestaw wyłącznik (4) do pozycji „I”. Przesław wyłącznik (5) z przodu obudowy. Wskaźnik zmieni kolor na zielony. Sprężarka włącza się i rozpoczyna napełnianie zbiornika powietrza, aż osiągnie ciśnienie wyłączenia, po czym wyłącznik ciśnieniowy wyłączy sprężarkę. Sprężarka pracuje w trybie automatycznym, włączana i wyłączana przez wyłącznik ciśnieniowy, w zależności od zużycia sprężonego powietrza.

Sprawdź wartości ciśnienia załączania i wyłączania za pomocą ciśnieniomierza (3). Dopuszczalna jest tolerancja  $\pm 10\%$ . Ciśnienie w zbiorniku powietrza nie może przekraczać dopuszczalnego ciśnienia roboczego.



Rys.12



**Zmiana zakresu ciśnienia na przełączniku ciśnienia sprężarki jest zabroniona. Przełącznik ciśnienia (1) został ustanowiony przez producenta i tylko wykwalifikowany technik wyszkolony przez producenta może przeprowadzać zmiany w ustawieniach.**

**Sprężarka z jednostką ssącą** – po pierwszym uruchomieniu i oddaniu do eksploatacji sprężarka napełnia zbiornik powietrza, aż do momentu wyłączenia sprężarki ciśnieniem przez i wyłącznik ciśnieniowy. Sprężarka pracuje w trybie automatycznym, włączana i wyłączana przez wyłącznik ciśnieniowy, w zależności od zużycia sprężonego powietrza.

Agregat ssący jest kontrolowany z modułu stomatologicznego. O pracy jednostki ssącej informuje biały wskaźnik z przodu obudowy.

**Sprężarka z osuszaczem** – sprężarka pracuje w taki sam sposób, jak opisano wyżej, tylko sprężone powietrze przepływa przez chłodnicę, która usuwa wilgoć ze sprężonego powietrza.

## 18. WYŁĄCZENIE SPRĘŻARKI

(rys. 12)

Wyłączenie sprężarki w celu naprawy lub innego powodu odbywa się za pomocą przełącznika ciśnienia (1), poprzez obrócenie przełącznika (2) do pozycji „0” i **wyciągnięcie wtyczki z gniazda sieciowego**. W ten sposób kompresor zostaje odłączony od źródła zasilania. Spuść powietrze ze zbiornika powietrza, otwierając zawór spustowy. (rys. 13).

**KONSERWACJA****19. KONSERWACJA URZĄDZENIA****Ostrzeżenie!**

Operator powinien zapewnić okresowe przeglądy urządzenia co najmniej raz na 24 miesiące (EN 62353) lub w odstępach czasu określonych przez obowiązujące krajowe przepisy prawne. Należy wypełnić protokół z tych wyników badań (np. EN 62353, załącznik G) wraz z metodami pomiarowymi.

Urządzenie zostało zaprojektowane i wyprodukowane w taki sposób, aby wymagało minimalnych nakładów konserwacyjnych. W celu zapewnienia prawidłowej i niezawodnej pracy sprężarki należy wykonać następujące czynności.



Przed rozpoczęciem prac konserwacyjnych należy sprawdzić, czy sprężarkę można odłączyć od urządzenia, aby wykluczyć ryzyko zranienia operatora dokonującego konserwacji oraz ryzyko wystąpienia innych szkód materiałowych!



Części agregatu (głowica, cylinder, wąż ciśnieniowy itp.) są bardzo gorące podczas pracy sprężarki i krótko po zakończeniu jej pracy – nie wolno ich dotykać!



Prace remontowe, wykraczające poza zwykłe czynności konserwacyjne, może wykonywać tylko wykwalifikowany serwis lub serwis producenta. Należy stosować wyłącznie części zamienne oraz wyposażenie wskazane przez producenta.



**PRZY SPUSZCZANIU SPRĘŻONEGO POWIETRZA Z OBWODU SPRĘŻONEGO POWIETRZA (ZBIORNIKA POWIETRZA) NALEŻY MIEĆ ZAŁOŻONE OKULARY OCHRONNE.**

Poniższe czynności może wykonać tylko odpowiednio przeszkolony personel:



**PRZED PRZYSTĄPIENIEM DO JAKICHKOLWIEK PRAC KONSERWACYJNYCH NALEŻY ODŁĄCZYĆ SPRĘŻARKĘ OD ZASILANIA (WYJĄĆ WTYCZKĘ Z GNIAZDA SIECIOWEGO) I SPUŚCIĆ POWIETRZE ZE ZBIORNIKA POWIETRZA.**



Przed konserwacją, serwisem lub podłączeniem bądź odłączeniem dolotu sprężonego powietrza poczekać, aż urządzenie ostygnie!



Po zakończeniu prac serwisowych z powrotem podłączyć przewód uziemienia w dawnym miejscu, jeśli został odłączony.



Zespół ssący może być skażony. W przypadku naprawy należy go wysłać do specjalistycznej organizacji zajmującej się odkażaniem lub do firmy EKOM spol.s r.o.

**19.1. Interwały konserwacyjne**

Odstęp czasu <sup>c)</sup>	50 Hz		60 Hz		raz na dziennie	Raz na tydzień	raz na rok	raz na 2 lata	2000 godzin	4000 godzin	6000 godzin	8000 godzin	10000 godzin	12000 godzin	Rozdział zamiennych	Zestaw części Serwisant
	raz	godzin	raz	godzin												
Przeglądy działania produktu	X														19.2	-
Spuścić kondensat ze zbiornika powietrza – przy dużej wilgotności względnej <sup>b)</sup>	X														19.5	-
- - Wylać kondensat z naczynia <sup>d)</sup>															19.5	-
Spuścić kondensat ze zbiornika powietrza <sup>b)</sup>		X													9	-
- przy normalnej wilgotności względnej			X												19.3	-
Kontrola funkcjonowania produktu			X												19.4	-
Sprawdzić szczelność połączeń i wykonać przegląd urządzenia				X											19.9	-
Kontrola przyłączy elektrycznych				X											19.8	025200304-000
Kontrola chłodnicy i wentylatora				X											19.6	-
Wymiana elementu filtracyjnego w filtrze osuszacza				X											19.7	025200126-000
Kontrola zaworu bezpieczeństwa				X											19.7	025200139-000
Wymiana filtra wlotowego agregatu DK50 PLUS <sup>a)</sup>				X					X			X			19.7	025200150-000
Wymiana filtra wlotowego i wstępnego agregatu DK50 2V <sup>a)</sup>				X					X			X			19.7	025200150-000
Przeprowadzić „powtórny test” zgodnie z EN 62353X				X												

<sup>a)</sup>dane podawane są w godzinach; jeżeli nie jest to możliwe, dane są rozpatrywane w latach

<sup>b)</sup>tylko dla sprężarek bez osuszaczy

<sup>c)</sup>W modelach sprężarek 60 Hz odstęp czasowy w godzinach należy skrócić o 20%

(2000h./1600h., 4000h./3200h., 6000h./4800h., 8000h./6400h., 10000h./8000h., 12000h./9600h.)

<sup>d)</sup>dotyczy tylko sprężarek z suszarką

### 19.2. Kontrole operacyjne

- Sprawdzić stan agregatu – agregaty powinny pracować normalnie bez nadmiernych wibracji i hałasu. W przypadku wykrycia usterki rozwiązać wszelkie problemy lub skontaktować się z personelem serwisowym.
- Sprawdzić wzrokowo pracę wentylatora – wentylatory muszą pracować podczas pracy agregatów. W przypadku wykrycia usterki rozwiązać wszelkie problemy lub skontaktować się z personelem serwisowym.
- Sprawdzić, czy kabel zasilający i węże pneumatyczne nie są uszkodzone. Wymienić uszkodzone części lub zadzwonić do serwisu.
- Sprawdzić temperaturę otoczenia – temperatura otoczenia musi być niższa niż limit temperatury (40 °C). Jeżeli temperatura jest za wysoka, ochłodzić przestrzeń.
- W wypadku sprężarki z osuszaczem – otworzyć korek w butli na kondensat, aby odprowadzić kondensat.

### 19.3. Sprawdzanie połączeń pneumatycznych pod kątem wycieków i przegląd urządzenia

#### Sprawdzanie wycieków:

- Przeprowadzić inspekcję wycieków z połączeń pneumatycznych podczas działania sprężarki – sprężania.
- Sprawdzić połączenia pod kątem szczelności przy użyciu analizatora przecieków lub wody z mydłem. Dokręcić lub uszczelnić połączenie w miejscu wystąpienia nieszczelności.

#### Przegląd urządzenia:

- Sprawdzić stan agregatu sprężarki pod względem normalnej pracy i poziomu hałasu.
- Kontrola pracy wentylatora – wentylatory muszą pracować podczas zdefiniowanych cykli roboczych sprężarki
- Sprawdzić pracę wyłącznika temperaturowego (B2) – podgrzać wyłącznik temperaturowy do temperatury powyżej 40°C (np. za pomocą pistoletu grzewczego – uważać, aby nie stopić żadnych plastikowych elementów). Wentylator EV1 (oraz EV2 w wypadku sprężarki z osuszaczem) zostanie uruchomiony po osiągnięciu temperatury 40°C dopóki do sprężarki jest podłączone zasilanie.
- Sprawdzić stan filtra – filtry muszą być nieuszkodzone i wystarczająco czyste.
- Sprawdzić stan agregatu i upewnić się, że nie ma zanieczyszczeń w skrzyni korbowej lub luzu w wale korbowym.

W razie potrzeby wymienić uszkodzone części.

### 19.4. Kontrola przyłączy elektrycznych



**Sprawdzić, czy wszystkie przyłącza elektryczne urządzenia są odłączone od zasilania!**

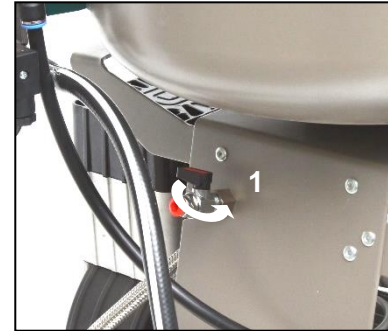
#### Kontrola

- Sprawdzić mechaniczną funkcję wyłącznika głównego.
- Sprawdzić, czy kabel zasilający i podłączone przewody nie są uszkodzone.
- Sprawdzić wzrokowo podłączenie poszczególnych kabli do listwy zaciskowej.
- Skontrolować wszystkie zaciski śrubowe pod kątem zielonego i żółtego przewodu ochronnego PE.

### 19.5. Spust kondensatu

#### Sprężarki (rys. 13)

Zaleca się opróżnianie zbiornika ciśnieniowego z kondensatu podczas normalnej eksploatacji. Odłączyć sprężarkę od sieci elektrycznej. Ciśnienie powietrza w urządzeniu obniżyć do maksymalnie 1 bara, wypuszczając powietrze przez podłączone urządzenie. Podłączyć wąż z podstawowego pakietu do zaworu spustowego. Postawić naczynie pod wężem i spuścić kondensat ze zbiornika, otwierając zawór (1).



Rys. 13



**Ostrożnie i powoli otworzyć zawór spustowy. Szybkie otwarcie zaworu spustowego spowoduje powstanie głośnego dźwięku i niekontrolowany wypływ nagromadzonego kondensatu.**

Sprężarki bez osuszacza mogą być wyposażone w automatyczny spust kondensatu, który odprowadza kondensat bez udziału operatora (zobacz rozdz. 8.2.).

#### Sprężarki z osuszaczem (rys.14)

Kondensat ze sprężarek z osuszaczem powietrza jest automatycznie odprowadzany do butli. Butla musi być regularnie opróżniana.



Rys.14



**Poziom płynu w naczyniu należy monitorować za pomocą oznaczeń 1 l lub 2 l (w zależności od pojemności naczynia). Kondensat należy spuszczać przynajmniej raz dziennie. Jeśli kondensat nie będzie spuszcany w określonym czasie, może dojść do przepełnienia naczynia.**



**Ryzyko poślizgnięcia się na mokrej podłodze w przypadku przepełnienia naczynia.**



**PRZED KOLEJNYMI PRZEGLĄDAMI WYMAGANE SĄ NASTĘPUJĄCE CZYNNOŚCI:**

**Sprężarki bez obudowy – zwolnij blokadę i otwórz drzwiczki obudowy.**

### 19.6. Kontrola zaworu bezpieczeństwa

(rys. 15)

Przy pierwszym uruchomieniu sprężarki należy skontrolować prawidłowość funkcjonowania zaworu bezpieczeństwa. Śrubę (2) zaworu bezpieczeństwa (1) należy przekręcić kilka razy w lewo, zanim przez zawór bezpieczeństwa zostanie wydmuchnięte powietrze. Zawór bezpieczeństwa powinien odpowietrzyć się w ciągu kilku sekund. Przekręcić śrubę (2) w prawo aż do końca, zawór powinien być znów zamknięty.



Rys.15



**Nie używać zaworu bezpieczeństwa do odpowietrzania zbiornika powietrza. Może to spowodować uszkodzenie zaworu bezpieczeństwa. Zawór został ustawiony przez producenta na maksymalne dopuszczalne ciśnienie. Zmiany są zabronione!**



**OSTRZEŻENIE! SPRĘŻONE POWIETRZE JEST NIEBEZPIECZNE – MOŻE SPOWODOWAĆ OBRAŻENIA OCZU! RYZYKO USZKODZENIA OCZU.**



### 19.7. Wymiana filtra wlotowego i wstępnego

(rys. 16)

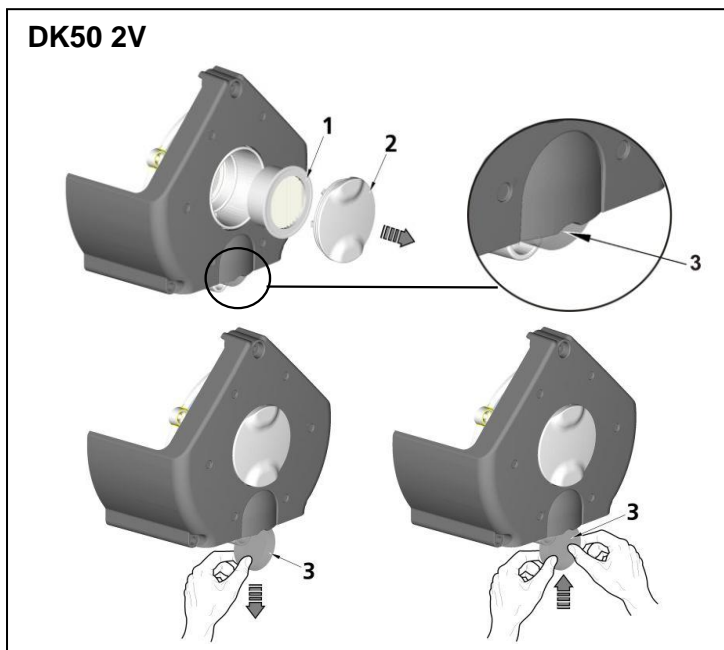
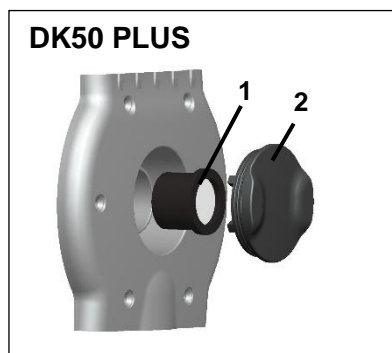
Filtr wlotowy znajduje się pod pokrywą skrzyni korbowej agregatu.

Wymiana filtra wlotowego:

- Wyciągnąć gumową zatyczkę (2).
- Usunąć zanieczyszczony filtr wlotowy (1).
- Włożyć nowy filtr i dopasować gumową zatyczkę.

Wymiana filtra wstępnego:

- Ręką wyciągnij filtr wstępny (3).
- Wymień element i włóż go na miejsce.

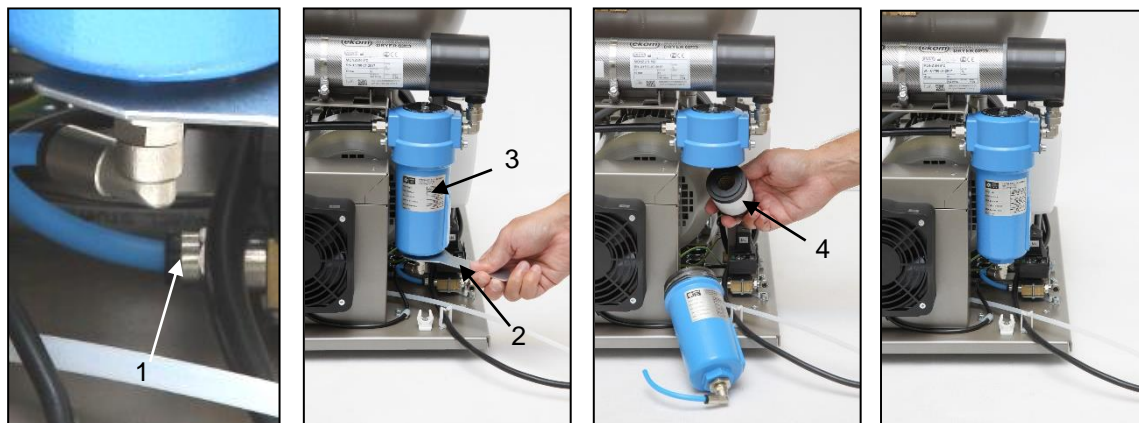


Rys. 16

### 19.8. Wymiana elementu filtracyjnego

(rys. 17)

- Wyjąć wąż (1) z szybkozłącza.
- Użyć klucza (2) do zwolnienia naczynia filtracyjnego (3) i wyjąć je.
- Wkład filtracyjny (4), demontujemy pociągając go w dół.
- Włożyć nowy wkład filtracyjny.
- Zainstalować ponownie naczynie filtracyjne.
- Dokręcić delikatnie naczynie filtracyjne za pomocą klucza.
- Zamontować wąż (1) na szybkozłączu.



Rys. 17

### 19.9. Kontrola chłodnicy i wentylatora (rys. 2)

Urządzenia, w szczególności wentylator sprężarki, wentylator chłodnicy (21) oraz chłodnica (14), muszą być utrzymywane w czystości, aby efektywnie działały. Usuń kurz z powierzchni wentylatora i łopatek chłodnicy za pomocą odkurzacza lub sprężonego powietrza.

### 19.10. Czyszczenie i dezynfekcja powierzchni zewnętrznych produktu

Do czyszczenia i dezynfekcji powierzchni zewnętrznych produktu należy używać środków neutralnych.



**Używanie agresywnych środków czyszczących i dezynfekujących zawierających alkohol i chlorki może doprowadzić do uszkodzenia powierzchni i zmiany koloru produktu.**

## ROZWIĄZYWANIE PROBLEMÓW



**Przed przystąpieniem do pracy należy obniżyć ciśnienie powietrza w zbiorniku powietrza do zera i odłączyć urządzenie od sieci elektrycznej.**

**Sprzęt, w szczególności wentylator chłodzący, należy utrzymywać w czystości, aby zapewnić jego długotrwałą efektywność – łopatki wentylatora należy od czasu do czasu oczyścić z kurzu.**

Czynności związane z usuwaniem usterek może wykonywać tylko przeszkolony serwisant.



**Podczas pracy z materiałem skażonym należy ściśle przestrzegać zasad higieny osobistej. Skażony materiał należy segregować, oznaczać, pakować i oddawać do odkażenia zgodnie z obowiązującymi przepisami prawa.**

USTERKI	MOŻLIWA PRZYCZYNA	SPOSÓB USUNIĘCIA
Nie można uruchomić sprężarki	Brak napięcia na włączniku ciśnieniowym  Uszkodzenie uzwojenia silnika, uszkodzenie termiczne zabezpieczenie przeciążeniowe Niesprawny kondensator Zamknięty tłok i inne części obrotowe Włącznik ciśnieniowy nie włącza się	Sprawdzić napięcie w gniazdku Sprawdzić wyłącznik – ustawić w pozycji włączonej „I” Luźny przewód na zacisku – dokręcić Sprawdzić przewód elektryczny – wymienić uszkodzony przewód Wymienić silnik lub uzwojenie  Wymienić kondensator Wymienić uszkodzone części Skontrolować funkcjonowanie włącznika ciśnieniowego
Sprężarka często się włącza	Upływ powietrza w systemie dystrybucji sprężonego powietrza Przeciekający zawór zwrotny  W zbiorniku ciśnieniowym znajduje się dużo skondensowanej cieczy Niska wydajność sprężarki	Kontrola rozrządu pneumatycznego – nieszczelne połączenia uszczelnić Wyczyścić zawór zwrotny, wymienić uszczelki, wymienić zawór zwrotny Wypuścić skondensowaną ciecz Sprawdzić czas potrzebny do napełnienia zbiornika powietrznego

Niskie ciśnienie w zbiorniku powietrza (sprężarka działa w trybie ciągłym)	Wysokie zużycie powietrza przez urządzenie, wyciek sprężonego powietrza z pneumatycznego układu rozprowadzenia powietrza, niska wydajność agregatu Usterka agregatu Suszarka działa nieprawidłowo	Zmniejsz zużycie powietrza Użyj sprężarki o większej pojemności Sprawdź układ pneumatyczny – uszczelnij luźne połączenia Oczyść lub wymień pompę Oczyść lub wymień pompę Wymień osuszacz
Przedłużona praca sprężarki	Wyciek z pneumatycznego układu rozprowadzenia powietrza Zużyty pierścień tłokowa Filtr wlotowy jest zanieczyszczony Wadliwa funkcja zaworu elektromagnetycznego	Kontrola systemu dystrybucji sprężonego powietrza – uszczelnij nieszczelne połączenia Wymień zużyty pierścień tłokowy Wymień stary filtr na nowy Naprawić lub wymienić zawór lub cewkę
Sprężarka głośno pracuje (stukanie, metaliczne dźwięki)	Uszkodzone łożysko tłoka, korbowód Rozluźniona lub pęknięta sprężyna	Wymień uszkodzone łożysko Wymień uszkodzoną sprężynę
Jednostka ssąca nie działa lub działa nieregularnie	Brak napięcia na zaciskach jednostki ssącej	Sprawdzić napięcie w gnieździe Sprawdzić bezpieczniki – wymienić uszkodzony bezpiecznik Poluzowany zacisk – docisnąć Sprawdzić przewód elektryczny – wymienić uszkodzony przewód Sprawdzić napięcie kontrolne
	Inne usterki mechaniczne jednostki ssącej	Uszkodzenie łożyska, uszkodzenie wirnika jednostki ssącej – wezwać serwis
	Przegrzewanie jednostki ssącej (wyłączenie jednostki ochrony termicznej)	Sprawdzić działanie wentylatora w obudowie – wymienić, jeśli nie działa Sprawdzić węże ssący i wylotowy – wymienić w razie uszkodzenia oraz usunąć obce przedmioty
Jednostka ssąca wytwarza słabe podciśnienie lub nie wytwarza go wcale, silnik działa	Nieszczelny wąż ssący, obcy przedmiot w wężu ssącym, zatkany wąż wylotowy	Sprawdzić połączenia węży ssących, sprawdzić szczelność uszczelek, usunąć obce przedmioty
Osuszacz nie suszy (kondensat w powietrzu) *	Wentylator chłodzący nie działa	Wymień wentylator Sprawdzić źródło zasilania
	Uszkodzony osuszacz	Wymień osuszacz
	Automatyczny spust kondensatu nie działa	Oczyścić / wymienić

)\* Po awarii osuszacza należy dokładnie oczyścić wewnętrzne powierzchnie zbiornika powietrza i usunąć skroploną ciecz.

**Sprawdzić punkt rosy w punkcie rosy powietrza opuszczającego zbiornik (patrz rozdział 7 – Dane techniczne) w celu zabezpieczenia urządzenia przed uszkodzeniem!**

## 20. INFORMACJE DOTYCZĄCE USŁUGI NAPRAWY

Naprawy gwarancyjne i pogwarancyjne wykonuje producent, przedstawiciel producenta lub serwisanci autoryzowani przez producenta.

**Producent zastrzega sobie prawo do dokonywania zmian w urządzeniu bez uprzedzenia. Żadne takie zmiany nie będą miały wpływu na funkcjonalność urządzenia.**

## 21. PRZECHOWYWANIE

Jeśli sprężarka nie będzie używana przez dłuższy czas, należy spuścić cały kondensat ze zbiornika powietrza. Następnie włączyć sprężarkę na 10 minut, utrzymując zawór spustowy otwarty (1) (Rys. 13). Wyłączyć sprężarkę za pomocą przełącznika (2) na przełączniku ciśnieniowym (1) (rys. 12), zamknąć zawór spustowy i odłączyć urządzenie od sieci elektrycznej.

## 22. UTYLIZACJA URZĄDZENIA

- Odłącz urządzenie od sieci.
- Obniż ciśnienie powietrza w zbiorniku ciśnieniowym przez otwarcie zaworu spustowego (1) (rys. 13).
- Podczas pracy ze skażonymi materiałami należy ściśle przestrzegać zasad higieny osobistej.
- Skażone materiały należy segregować, oznaczać, pakować i oddawać do odkażenia zgodnie z obowiązującymi przepisami prawa.
- Urządzenie należy utylizować zgodnie z obowiązującymi przepisami miejscowymi.
- Sortowanie i usuwanie odpadów należy powierzyć wyspecjalizowanej firmie.
- Zużyte komponenty nie mają negatywnego wpływu na środowisko.



**W wyniku nieprawidłowego użytkowania wewnętrzne części jednostki ssącej mogą być skażone materiałem biologicznym. Przed utylizacją jednostkę należy oddać do specjalistycznego zakładu odkażającego w celu odkażenia.**

**OBSAH**

<b>DÔLEŽITÉ INFORMÁCIE .....</b>	<b>202</b>
1. ZHODA S POŽIADAVKAMI SMERNÍC EURÓPSKEJ ÚNIE .....	202
2. ÚČEL URČENIA .....	202
3. KONTRAINDIKÁCIE A VEDĽAJŠIE ÚČINKY .....	202
4. UPOZORNENIA A SYMBOLY .....	202
5. UPOZORNENIA .....	203
6. SKLADOVACIE A PREPRAVNÉ PODMIENKY .....	205
7. TECHNICKÉ ÚDAJE .....	206
8. POPIS VÝROBKU .....	213
9. FUNKCIA VÝROBKU .....	215
10. PNEUMATICKÁ SCHÉMA .....	220
<b>INŠTALÁCIA .....</b>	<b>221</b>
11. PODMIENKY POUŽITIA .....	221
12. USTAVENIE KOMPRESORA .....	222
13. PNEUMATICKÉ PRIPOJENIE .....	224
14. ELEKTRICKÉ ZAPOJENIE .....	227
15. SCHÉMA ZAPOJENIA .....	229
<b>OBSLUHA .....</b>	<b>231</b>
16. PRVÉ UVEDENIE DO PREVÁDZKY .....	231
17. ZAPNUTIE KOMPRESORA .....	232
18. VYPNUTIE KOMPRESORA .....	232
<b>ÚDRŽBA .....</b>	<b>233</b>
19. ÚDRŽBA VÝROBKU .....	233
<b>VYHLADÁVANIE PORÚCH A ICH ODSTRÁNENIE .....</b>	<b>238</b>
20. INFORMÁCIE O OPRAVÁRENSKEJ SLUŽBE .....	240
21. ODSTAVENIE .....	240
22. LIKVIDÁCIA PRÍSTROJA .....	240
<b>PRÍLOHA .....</b>	<b>281</b>
23. DOKUMENTÁCJA INSTALACJI .....	285

## DÔLEŽITÉ INFORMÁCIE

### 1. ZHODA S POŽIADAVKAMI SMERNÍC EURÓPSKEJ ÚNIE

Tento výrobok je v zhode s požiadavkami smerníc MDD93/42/EEC a je bezpečný na zamýšľané použitie pri dodržaní všetkých bezpečnostných pokynov.

### 2. ÚČEL URČENIA

Kompresor s odsávačkou sa používa ako zdroj čistého bezolejového stlačeného vzduchu na napájanie a chladenie pneumatikých nástrojov stomatologických súprav a zároveň je zdrojom podtlaku pre odsávacie systémy súprav. Zariadenie je použiteľné pre všetky typy stomatologických súprav, ktoré sú vybavené odsávacím blokom.



**Vzduch kompresora bez ďalšej úpravy nie je vhodný na pripojenie k prístrojom na umelú ventiláciu pľúc.**

Akkoľvek použitie výrobku nad rámec účelu určenia sa považuje za nesprávne použitie. Výrobca nemôže niesť zodpovednosť za akékoľvek škody alebo zranenia v dôsledku nesprávneho použitia.

### 3. KONTRAINDIKÁCIE A VEDĽAJŠIE ÚČINKY

Nie sú známe žiadne kontraindikácie ani vedľajšie účinky.

### 4. UPOZORNENIA A SYMBOLY

V návode na použitie, na obaloch a výrobku sa pre zvlášť dôležité údaje používajú nasledujúce pomenovania a symboly:



Všeobecné upozornenie



Výstraha



Pozor, nebezpečenstvo úrazu elektrickým prúdom



Pozri návod na použitie



Dodržiavaj návod na použitie



CE – označenie



Kompresor je ovládaný automaticky a môže sa spustiť bez výstraha.



Pozor ! Horúci povrch.



Pripojenie ochranného vodiča



Svorka pre ekvipotenciálne pospojovanie



Manipulačná značka na obale – KREHKÉ



Manipulačná značka na obale – TÝMTO SMEROM NAHOR



Manipulačná značka na obale – CHRÁNIŤ PRED DAŽĎOM



Manipulačná značka na obale – TEPLTNÉ MEDZE



Manipulačná značka na obale – OBMEDZENÉ STOHOVANIE



Značka na obale – RECYKLOVATEĽNÝ MATERIÁL



Výrobca



Nebezpečenstvo biologického ohrozenia

## 5. UPOZORNENIA

Výrobok je navrhnutý a vyrobený tak, aby pri stanovenom spôsobe používania bol bezpečný pre používateľa aj pre okolie. Preto je potrebné riadiť sa nasledujúcimi upozorneniami.

### 5.1. Všeobecné upozornenia

**NÁVOD NA POUŽITIE SI PRED POUŽITÍM VÝROBKU STAROSTLIVO PREČÍTAJTE A USCHOVAJTE NA ĎALŠIE POUŽITIE!**

- Návod na použitie slúži na správnu inštaláciu, obsluhu a údržbu výrobku. Presné rešpektovanie tohto návodu je predpokladom pre správne používanie v zmysle zamýšľaného použitia a správnu obsluhu výrobku.
- Originálny obal uschovať pre prípadné vrátenie zariadenia. Originálny obal zaručuje optimálnu ochranu výrobku počas prepravy. Ak bude počas záručnej lehoty potrebné výrobok vrátiť, výrobca neručí za škody spôsobené nesprávnym zabalením výrobku..
- Na škody, ktoré vznikli používaním iného príslušenstva ako predpisuje alebo odporúča výrobca, sa záruka nevzťahuje.
- Výrobca preberá zodpovednosť za bezpečnosť, spoľahlivosť a funkciu výrobku len vtedy, ak:
  - inštaláciu, nové nastavenia, zmeny, rozšírenia a opravy vykonáva výrobca alebo organizácia poverená výrobcom.
  - výrobok sa používa v súlade s návodom na použitie.
- Návod na použitie zodpovedá pri tlači vyhotoveniu výrobku a stavu podľa príslušných bezpečnostno-technických noriem. Výrobca si vyhradzuje všetky práva na ochranu pre uvedené zapojenia, metódy a názvy.

- Návod na použitie je pôvodný, preklad je vykonaný v súlade s najlepšimi znalosťami.

## 5.2. Všeobecné bezpečnostné upozornenia

Výrobca navrhol a vyrobil výrobok tak, aby boli minimalizované akékoľvek riziká pri správnom používaní podľa zamýšľaného použitia. Výrobca považuje za svoju povinnosť popísať nasledujúce všeobecné bezpečnostné opatrenia.

- Pri prevádzke výrobku treba rešpektovať zákony a regionálne predpisy platné v mieste používania. V záujme bezpečného priebehu práce sú za dodržiavanie predpisov zodpovední prevádzkovateľ a používateľ.
- Bezpečnosť obsluhujúceho personálu a bezporuchová prevádzka výrobku sú zaručené len pri používaní originálnych častí výrobku. Používať sa môže len príslušenstvo a náhradné diely uvedené v technickej dokumentácii alebo vyslovene povolené výrobcom.
- Pred každým použitím výrobku je potrebné, aby sa používateľ presvedčil o jeho riadnej funkcii a bezpečnom stave.
- Používateľ musí byť oboznámený s obsluhou prístroja.
- Výrobok nie je určený pre prevádzku v priestoroch, v ktorých hrozí nebezpečenstvo výbuchu.
- Ak v priamej súvislosti s prevádzkou prístroja nastane nežiaduca udalosť, používateľ je povinný o tejto udalosti neodkladne informovať svojho dodávateľa.

## 5.3. Bezpečnostné upozornenia k ochrane pred elektrickým prúdom

- Zariadenie môže byť pripojené iba na riadne namontovanú zásuvku s ochranným pripojením.
- Pred pripojením výrobku sa musí skontrolovať, či sú sieťové napätie a sieťový kmitočet uvedené na výrobku v súlade s hodnotami napájacej siete.
- Pred uvedením výrobku do prevádzky treba skontrolovať prípadné poškodenia pripájaných vzduchových a elektrických rozvodov. Poškodené pneumatické a elektrické vedenia sa musia ihneď vymeniť.
- Pri nebezpečných situáciách alebo technických poruchách je potrebné výrobok ihneď odpojiť zo siete (vytiahnuť sieťovú vidlicu).
- Pri všetkých prácach v súvislosti s opravami a údržbou musia byť:
  - sieťová vidlica vytiahnutá zo zásuvky
  - vypustený tlak z tlakovej nádrže a tlakové potrubia odvzdušnené
- Výrobok môže inštalovať len kvalifikovaný odborník.



## 6. SKLADOVACIE A PREPRAVNÉ PODMIENKY

Kompresor sa zo závodu zasiela v prepravnom obale. Tým je výrobok zabezpečený pred poškodením pri preprave.



**Pri preprave používať podľa možnosti vždy originálny obal kompresora. Kompresor prepravovať nastojato, vždy zaistený prepravným fixovaním.**



Počas prepravy a skladovania chrániť kompresor pred vlhkosťou, nečistotou a extrémnymi teplotami. Kompresory v originálnom obale sa môžu skladovať v teplých, suchých a bezprašných priestoroch. Neskladovať v priestoroch spolu s chemickými látkami.



Podľa možnosti si obalový materiál uschovajte. Ak nie je uschovanie možné, zlikvidujte obalový materiál šetrne k životnému prostrediu. Prepravný kartón sa môže vyhodiť so starým papierom.



**Kompresor sa smie prepravovať len bez tlaku. Pred prepravou nevyhnutne vypustiť tlak vzduchu z tlakovej nádrže a tlakových hadíc a vypustiť kondenzát zo vzdušníka.**



**Zariadenie je zakázané skladovať a prepravovať mimo definovaných podmienok, pozri nižšie.**

### Podmienky okolia pri skladovaní a preprave

Výrobky je možné skladovať v priestoroch a dopravných prostriedkoch bez stôp prchavých chemických látok za podmienok:

Teplota:  $-25^{\circ}\text{C}$  až  $+55^{\circ}\text{C}$ , 24 h až  $+70^{\circ}\text{C}$

Relatívna vlhkosť vzduchu: 10% až 90 % (bez kondenzácie)

## 7. TECHNICKÉ ÚDAJE

Kompresory sú konštruované pre prostredie suchých a vetraných vnútorných priestorov za podmienok :

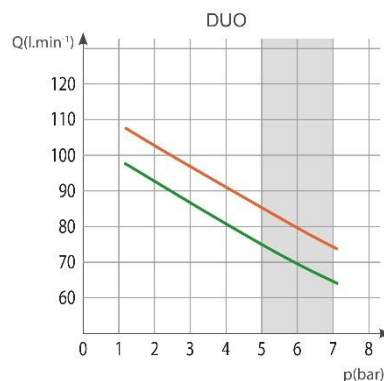
Teplota :  $+5^{\circ}\text{C}$  až  $+40^{\circ}\text{C}$ ,  
 Relatívna vlhkosť max.: 70%,  
 Absolútna vlhkosť max.  $15\text{ g/m}^3$

Tab.1

		<b>DUO</b>	<b>DUO/M</b>
Kompresor 5 – 7 bar		DK50 PLUS	DK50 PLUS/M
Odsávačka		1	1
Menovité napätie / frekvencia (*)	V / Hz	230 / 50 230 / 60	230 / 50 230 / 60
Výkonnosť pri pretlaku 5 bar	Lit.min <sup>-1</sup>	75 85	58 68
Pracovný tlak (**)	bar	5,0 – 7,0	5,0 – 7,0
Výkonnosť odsávačky pri pretlaku 5 kPa	Lit.min <sup>-1</sup>	800	800
Podtlak odsávačky max	kPa	12	12
Prúd max	A	6,9 7,9	7,1 8
Výkon motora kompresora	kW	0,55	0,55
Objem vzdušníka	Lit.	25	25
Kvalita vzduchu – filtrácia	μm	-	0,3
Povolený prevádzkový tlak poistného ventilu	bar	8,0	8,0
Hladina zvuku pri pretlaku 5 bar	LpFA [dB]	≤47 ≤50	≤47 ≤50
Režim prevádzky		S1-100%	S1-100%
Stupeň sušenia - PDP pri 7 bar		-	≤ +3°C
Čas naplnenia vzdušníka z 0 do 6 bar	s	123 105	157 128
Rozmery (netto) š x h x v	mm	560x684x1251	560x684x1251
Hmotnosť netto (***)	kg	114	119
Klasifikácia podľa EN 60601-1		Trieda I.	

Poznámky:

- (\*) Prevedenie kompresora uviesť pri objednávaní
- (\*\*) Iný rozsah tlaku konzultovať s dodávateľom
- (\*\*\*) Hodnota hmotnosti je informatívny údaj, platí len pre výrobok bez doplnkového vybavenia



## DUO, DUO 2V, DUO 2

Tab. 2

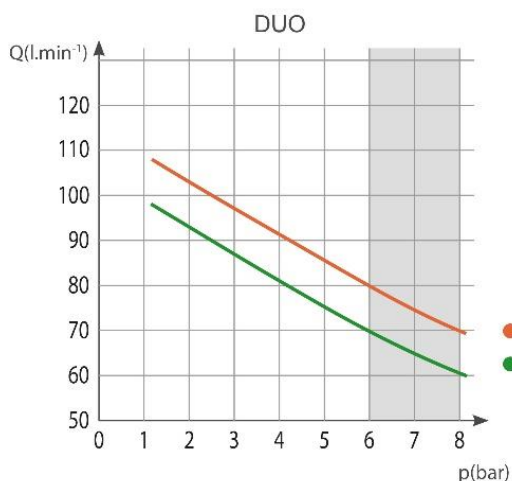
		DUO	DUO/M
Kompresor 6 – 8 bar		DK50 PLUS	DK50 PLUS/M
Odsávačka		1	1
Menovité napätie / frekvencia (*)	V / Hz	230 / 50 230 / 60	230 / 50 230 / 60
Výkonnosť pri pretlaku 6 bar	Lit.min <sup>-1</sup>	70 80	60 70
Pracovný tlak (**)	bar	6,0 – 8,0	6,0 – 8,0
Výkonnosť odsávačky pri pretlaku 5 kPa	Lit.min <sup>-1</sup>	800	800
Podtlak odsávačky max	kPa	12	12
Prúd max	A	7 8	7,2 8,1
Výkon motora kompresora	kW	0,55	0,55
Objem vzdušníka	Lit.	25	25
Kvalita vzduchu – filtrácia	µm	-	0,3
Povolený prevádzkový tlak poistného ventilu	bar	11,0	11,0
Hladina zvuku pri pretlaku 5 bar	LpfA [dB]	≤47 ≤50	≤47 ≤50
Režim prevádzky		S1-100%	S1-100%
Stupeň sušenia - PDP pri 7 bar		-	≤ +3°C
Čas naplnenia vzdušníka z 0 do 7 bar	s	149 126	198 159
Rozmery (netto) š x h x v	mm	560x684x1251	560x684x1251
Hmotnosť netto (***)	kg	114	119
Klasifikácia podľa EN 60601-1		Trieda I.	

Poznámky:

(\*) Prevedenie kompresora uviesť pri objednávaní

(\*\*) Iný rozsah tlaku konzultovať s dodávateľom

(\*\*\*) Hodnota hmotnosti je informatívny údaj, platí len pre výrobok bez doplnkového vybavenia



Tab.3

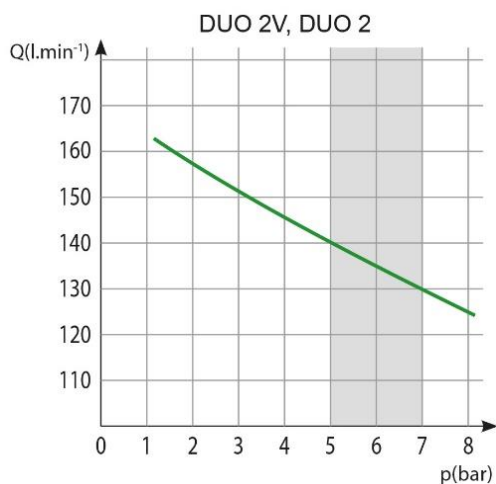
		<b>DUO 2V</b>	<b>DUO 2V/M</b>	<b>DUO 2</b>	<b>DUO 2/M</b>
Kompresor 5 – 7 bar		DK50 2V	DK50 2V/M	DK50 2V	DK50 2V/M
Odsávačka		1	1	2	2
Menovité napätie / frekvencia (*)	V / Hz	230 / 50 230 / 60	230 / 50 230 / 60	230 / 50 230 / 60	230 / 50 230 / 60
Výkonnosť pri pretlaku 5 bar	Lit.min <sup>-1</sup>	140	108	140	108
Pracovný tlak (**)	bar	5,0 – 7,0	5,0 – 7,0	5,0 – 7,0	5,0 – 7,0
Výkonnosť odsávačky pri pretlaku 5 kPa	Lit.min <sup>-1</sup>	800	800	2x800	2x800
Podtlak odsávačky max	kPa	12	12	12	12
Prúd max	A	11,5 12,5	11,7 12,7	14,5 15,4	14,6 15,6
Výkon motora kompresora	kW	1,2	1,2	1,2	1,2
Objem vzdušníka	Lit.	25	25	25	25
Kvalita vzduchu – filtrácia	µm	-	0,3	-	0,3
Povolený prevádzkový tlak poistného ventilu	bar	8,0	8,0	8,0	8,0
Hladina zvuku pri pretlaku 5 bar	Lp <sub>fA</sub> [dB]	≤ 51,5	≤ 55,0	≤ 51,5	≤ 55,0
Režim prevádzky		S1-100%	S1-100%	S1-100%	S1-100%
Stupeň sušenia - PDP pri 7 bar		-	≤ +3°C	-	≤ +3°C
Čas naplnenia vzdušníka z 0 do 6 bar	s	52	65	52	65
Rozmery (netto) š x h x v	mm	560x684x1251	560x684x1251	560x684x1251	560x684x1251
Hmotnosť netto (***)	kg	121	126	133	138
Klasifikácia podľa EN 60601-1		Trieda I.			

**Poznámky:**

(\*) Prevedenie kompresora uviesť pri objednávaní

(\*\*) Iný rozsah tlaku konzultovať s dodávateľom

(\*\*\*) Hodnota hmotnosti je informatívny údaj, platí len pre výrobok bez doplnkového vybavenia



## DUO, DUO 2V, DUO 2

Tab. 4

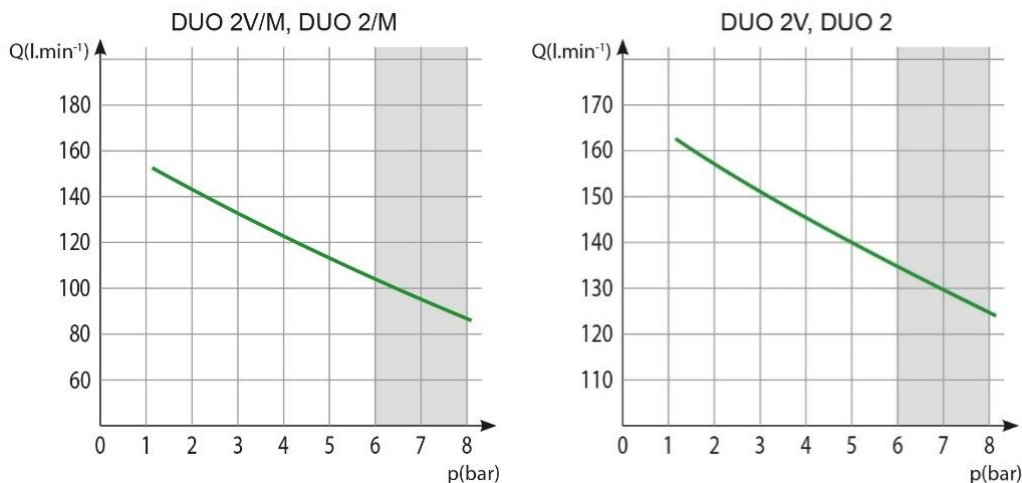
		DUO 2V	DUO 2V/M	DUO 2	DUO 2
Kompresor 6 – 8 bar		DK50 2V	DK50 2V/M	DK50 2V	DK50 2V/M
Odsávačka		1	1	2	2
Menovité napätie / frekvencia (*)	V / Hz	230 / 50 230 / 60	230 / 50 230 / 60	230 / 50 230 / 60	230 / 50 230 / 60
Výkonnosť pri pretlaku 6 bar	Lit.min <sup>-1</sup>	135	104	135	104
Pracovný tlak (**)	bar	6,0 – 8,0	6,0 – 8,0	6,0 – 8,0	6,0 – 8,0
Výkonnosť odsávačky pri pretlaku 5 kPa	Lit.min <sup>-1</sup>	800	800	2x800	2x800
Podtlak odsávačky max	kPa	12	12	12	12
Prúd max	A	11,8 12,5	12,0 12,7	14,8 15,4	15,0 15,6
Výkon motora kompresora	kW	1,2	1,2	1,2	1,2
Objem vzdušníka	Lit.	25	25	25	25
Kvalita vzduchu – filtrácia	µm	-	0,3	-	0,3
Povolený prevádzkový tlak poistného ventilu	bar	11,0	11,0	11,0	11,0
Hladina zvuku pri pretlaku 5 bar	LpFA [dB]	≤ 51,5	≤ 55,0	≤ 51,5	≤ 55,0
Režim prevádzky		S1-100%	S1-100%	S1-100%	S1-100%
Stupeň sušenia - PDP pri 7 bar		-	≤ +3°C	-	≤ +3°C
Čas naplnenia vzdušníka z 0 do 7 bar	s	61	78	61	78
Rozmery (netto) š x h x v	mm	560x684x1251	560x684x1251	560x684x1251	560x684x1251
Hmotnosť netto (***)	kg	121	126	133	138
Klasifikácia podľa EN 60601-1		Trieda I.			

Poznámky:

(\*) Prevedenie kompresora uviesť pri objednávaní

(\*\*) Iný rozsah tlaku konzultovať s dodávateľom

(\*\*\*) Hodnota hmotnosti je informatívny údaj, platí len pre výrobok bez doplnkového vybavenia



### 7.1. Korekcia FAD výkonnosti podľa nadmorskej výšky

Korekčná tabuľka FAD

Nadm. výška [mnm]	0 - 1500	1501 - 2500	2501 - 3500	3501 - 4500
FAD [l/min]	FAD x 1	FAD x 0,8	FAD x 0,71	FAD x 0,60

FAD („Free Air Delivery“) výkonnosť sa vzťahuje na podmienky :

Nadmorská výška : 0 m.n.m.  
 Atmosférický tlak : 101325 Pa

Teplota : 20°C  
 Relatívna vlhkosť : 0%

### 7.2. Vyhlásenie k elektromagnetickej kompatibilite

Prístroj vyžaduje špeciálnu obozretnosť týkajúcu sa elektromagnetickej kompatibility (EMC) a vyžaduje inštaláciu a uvedenie do prevádzky v súlade s EMC informáciami uvedenými nižšie.

<b>Smernice a vyhlásenie výrobcu – elektromagnetické vyžarovanie</b>		
Podľa IEC 60601-1-2:2014 - Zdravotnícke elektrické prístroje. Časť 1-2: Všeobecné požiadavky na základnú bezpečnosť a nevyhnutné prevádzkové vlastnosti. Prídružená norma: Elektromagnetické rušenia		
Prístroj je určený pre použitie v elektromagnetickom prostredí špecifikovanom nižšie. Zákazník alebo užívateľ by mali zaistiť, aby bol prístroj používaný v takom prostredí.		
<b>Test vyžarovania</b>	<b>Zhoda</b>	<b>Elektromagnetické prostredie - návod</b>
RF vyžarovanie CISPR 11	Skupina 1	Prístroj využíva RF energiu len pre svoje vnútorné funkcie. Preto sú RF emisie veľmi nízke a pravdepodobne nespôsobia rušenie okolitých elektronických zariadení.
RF vyžarovanie CISPR 11	Trieda B	Prístroj je vhodný pre použitie vo všetkých zariadeniach vrátane domácich prevádzok a zariadení priamo napojených na verejnú sieť nízkeho napätia, napájajúcu obytné budovy.
Harmonické vyžarovanie IEC 61000-3-2	Trieda A	
Kolísanie napätia / blikanie IEC 61000-3-3	Prístroj pravdepodobne nebude spôsobovať blikanie, pretože prúd po spustení je približne konštantný.	

**Smernice a vyhlásenie výrobcu - elektromagnetická odolnosť**

Podľa IEC 60601-1-2:2014 - Zdravotnícke elektrické prístroje. Časť 1-2: Všeobecné požiadavky na základnú bezpečnosť a nevyhnutné prevádzkové vlastnosti. Pridružená norma: Elektromagnetické rušenia

Prístroj je určený pre použitie v elektromagnetickom prostredí špecifikovanom nižšie. Zákazník alebo užívateľ by mali zaistiť, aby bol prístroj používaný v takom prostredí.


Test odolnosti	Úroveň testu IEC 60601-1-2	Úroveň zhody	Elektromagnetické prostredie - návod
Elektrostatický výboj (ESD) podľa IEC 61000-4-2	±8 kV kontakt ±15 kV vzduch	±8 kV kontakt ±15 kV vzduch	Podlaha by mala byť drevená, betónová alebo keramická. Ak je podlaha pokrytá syntetickým materiálom, musí byť relatívna vlhkosť vzduchu aspoň 30 %.
Rýchle elektrické prechodné javy / skupiny impulzov IEC 61000-4-4	±2 kV pre elektrické rozvody ±1 kV pre vstupné / výstupné rozvody	±2 kV 100 kHz frekvencia opakovania Pripojené na sieť	Kvalita elektrického napájania by mala byť typická pre komerčné alebo nemocničné prostredie.
Rázový impulz IEC 61000-4-5	±1 kV rozdielový režim ±2 kV spoločný režim	±1 kV L-N ±2 kV L-PE; N-PE Pripojené na sieť	Kvalita elektrického napájania by mala byť typická pre komerčné alebo nemocničné prostredie.
Pokles napätia, krátke prerušenie a zmeny napätia na vstupných elektrických rozvodoch IEC 60601-4-11	$U_T=0\%$ , 0,5 cyklu (pri 0, 45, 90, 135, 180, 225, 270 a 315°) $U_T=0\%$ , 1 cyklus $U_T=70\%$ 25/30 cyklov (pri 0°) $U_T=0\%$ , 250/300 cyklov	$U_T=>95\%$ , 0,5 cyklu (pri 0, 45, 90, 135, 180, 225, 270 a 315°) $U_T=>95\%$ , 1 cyklus $U_T=70\%$ (30% pokles $U_T$ ), 25(50Hz)/30(60Hz) cyklov (pri 0°) $U_T=>95\%$ , 250(50Hz)/300(60Hz) cyklov	Kvalita elektrického napájania by mala byť typická pre komerčné alebo nemocničné prostredie.  Prístroj sa automaticky zastaví a reštartuje pri každom poklese napätia. V tomto prípade nedochádza k neprijateľnému poklesu tlaku.
Magnetické pole sieťovej frekvencie (50/60 Hz) podľa IEC 61000-4-8	N/A	N/A	Prístroj neobsahuje komponenty citlivé na magnetické pole.

POZNÁMKA:  $U_T$  je AC sieťové napájanie pred aplikáciou testovacej úrovne.

**Smernice a vyhlásenie výrobcu - elektromagnetická odolnosť**

Podľa IEC 60601-1-2:2014 - Zdravotnícke elektrické prístroje. Časť 1-2: Všeobecné požiadavky na základnú bezpečnosť a nevyhnutné prevádzkové vlastnosti. Pridružená norma: Elektromagnetické rušenia

Prístroj je určený pre použitie v elektromagnetickom prostredí špecifikovanom nižšie. Zákazník alebo užívateľ by mali zaistiť, aby bol prístroj používaný v takom prostredí.

Test odolnosti	Úroveň testu IEC 60601-1-2	Úroveň zhody	Elektromagnetické prostredie - návod
Frekvencie šírené vedením IEC 61000-4-6	3 Vrms 150 kHz až 80MHz	3 Vrms	Prenosné a mobilné rádio-frekvenčné komunikačné zariadenia vrátane káblov by sa nemali používať vo vzdialenosti od prístroja menšej, než je odporúčaná vzdialenosť vypočítaná pomocou rovnice pre frekvenciu vysielača.
Frekvencie šírené vyžarovaním IEC 61000-4-3	3 V/m 80 MHz až 2,7 GHz	3 V/m	<p><b>Odporúčané ochranné vzdialenosti</b></p> $d = 1,2 \sqrt{P}$ $d = 1,2 \sqrt{P}, 80 \text{ MHz až } 800 \text{ MHz}$ $d = 2,3 \sqrt{P}, 800 \text{ MHz až } 2,7 \text{ GHz}$ <p>kde P je maximálny menovitý výkon vysielača vo wattoch (W) podľa údajov výrobcu vysielača a d je odporúčaná ochranná vzdialenosť v metroch (m).</p>
Bližšie polia od RF bezdrôtových komunikačných prístrojov IEC 61000-4-3	9 až 28 V/m 15 určených frekvencií (380 až 5800 MHz)	9 až 28 V/m 15 určených frekvencií (380 až 5800 MHz)	<p>Intenzita poľa od pevných rádio-frekvenčných vysielačov, ako bola určená prieskumom polohy lokality<sup>a</sup>, by mala byť nižšia ako úroveň zhody pre každý frekvenčný rozsah<sup>b</sup>. K rušeniu môže prísť v blízkosti zariadení označených nasledujúcim symbolom:</p> 

POZNÁMKA 1 Pri 80 MHz a 800 MHz platí vyšší frekvenčný rozsah.

POZNÁMKA 2 Tieto smernice nemusia platiť za všetkých okolností. Šírenie elektromagnetického vlnenia ovplyvňuje schopnosť absorpcie a odrazivosti budov, objektov a osôb.

<sup>a</sup> Intenzitu poľa pevných vysielačov, ako sú napríklad vykryváče mobilných telefónov a pozemné mobilné rádiové stanice, amatérske rádiové stanice, rozhlasové vysielače v pásmach AM a FM a televízne vysielače, nie je možné presne teoreticky predpovedať. Pre posúdenie elektromagnetického prostredia z hľadiska pevných vysielačov by mal byť zvážený prieskum lokality. Ak nameraná intenzita poľa na mieste, na ktorom je prístroj používaný, prekročí vyššie uvedenú úroveň zhody, je potrebné prístroj pozorovať, aby bolo možné overiť jeho riadne fungovanie. Neobvyklé správanie si môže vyžadovať dodatočné opatrenia, napr. iné nasmerovanie alebo premiestnenie prístroja.

<sup>b</sup> Nad frekvenčným rozsahom 150 kHz až 80 MHz by intenzita poľa mala byť nižšia než 3 V/m.



## 8. POPIS VÝROBKU

### 8.1. Prevedenia

Kompresor sa vyrába podľa účelu v nasledovných prevedeniach:

<b>DUO</b>	Zariadenie je použiteľné pre typy dentálnych súprav, ktoré sú vybavené odsávacím blokom a je svojim designom vhodné na umiestnenie v ordinácii
<b>DUO 2</b>	Zariadenie je použiteľné pre typy dentálnych súprav, ktoré sú vybavené odsávacím blokom. Sú vhodné pre dve dentálne súpravy - dve pracovné miesta
<b>DUO 2V</b>	Zariadenie je použiteľné pre typy dentálnych súprav, ktoré sú vybavené odsávacím blokom. Sú vhodné pre súpravy s vyššou spotrebou tlakového vzduchu
<b>DUO/M</b>	Zariadenia rovnaké ako DUO ale vybavené membránovým sušičom
<b>DUO 2V/M</b>	Zariadenia rovnaké ako DUO 2V ale vybavené membránovým sušičom
<b>DUO 2/M</b>	Zariadenia rovnaké ako DUO 2 ale vybavené membránovým sušičom



**DUO**



**DUO 2V**



**DUO 2**

### 8.2. Doplnkové vybavenie

Doplnkové vybavenie nie je predmetom základnej dodávky, treba ho objednať osobitne.

#### 8.2.1. Automatický odvod kondenzátu

Automatický odvod kondenzátu (AOK) zabezpečuje automatické vypúšťanie skondenzovanej kvapaliny v nastavenom časovom intervale zo vzdušníka kompresora. AOK je výhodné doplniť ku kompresoru bez sušiča.

Typ	Použitie	Artikel
AOK 11	DK50 PLUS DK50 2V	447000001-047

### 8.2.2. Sada regulátora tlaku

Kompresor môže byť vybavený sadou regulátora výstupného stlačeného vzduchu podľa požiadavky. Regulátor zabezpečí konštantný tlak na výstupe z kompresora. Sada regulátora je vhodná pre všetky hore uvedené kompresory.

Typ sady	Použitie	Číslo sady
REG 11	DK50 PLUS, DK50 PLUS/M DK50 2V, DK50 2V/M	447000001-077

### 8.2.3. Sada filtrov

Kompresor môže byť vybavený sadou filtrov výstupného tlakového vzduchu podľa požiadavky. Sada filtrov môže obsahovať aj regulátor tlaku. Sady filtrov sú vhodné pre uvedené kompresory.

POZNÁMKA : V prípade požiadavky na iný stupeň filtrácie vzduchu, je treba túto požiadavku dohodnúť s dodávateľom a špecifikovať v objednávke.

Typ	Použitie	Stupeň filtrácie / $\mu\text{m}$ /	Regulátor tlaku	Číslo sady
FS 30FR	DK50 PLUS DK50 2V	5	áno	447000001-079
FS 30M		5 + 0,3	nie	447000001-080
FS 30MR		5 + 0,3	áno	447000001-081
FS 30S		5 + 0,3 + 0,01	nie	447000001-082
FS 30SR		5 + 0,3 + 0,01	áno	447000001-083
FS 31S	DK50 PLUS/M DK50 2V/M	0,3 + 0,01	nie	447000001-086
FS 31SR		0,3 + 0,01	áno	447000001-087
FS 31SR2		0,01	áno	447000001-130

### 8.2.4. Kondenzačná a filtračná jednotka

Kompresor môže byť dodatočne vybavený aj kondenzačnou a filtračnou jednotkou (KJF-1, KJF-2 alebo KJFR-1).

KJF-1, KJF-2 alebo KJFR-1 zabezpečí, že stlačený vzduch zo vzdušníka je ochladený v chladiči a vo filtri zachytí skondenzovanú kvapalinu, ktorú automaticky odlúči mimo pneumatického rozvodu. Tlakový vzduch je súčasne filtrovaný.

Typ	Použitie	Stupeň filtrácie / $\mu\text{m}$ /	Regulátor tlaku	Artikel
KJF-1	DK50 PLUS	5	nie	450001011-001
KJFR-1			áno	450001011-002
KJF-2	DK50 2V		nie	450001021-001

### 8.2.5. Tlmič hluku

Tlmiče hluku s filtrom a bez filtra utlmujú „pískavé“ zvuky obežného kolesa odsávačky. Celkový pokles hlučnosti odsávačky s tlmičom pri činnosti odsávačky je až o 4 dB.

- Tlmič hluku s filtrom - je doplnený o bakteriologický filter a tým je vhodný pre inštaláciu priamo v ordinácii.

**DUO, DUO 2V, DUO 2**

- Tlmič hluku na stenu - je určený pre upevnenie na stenu.
- Tlmič hluku na stenu s filtrom - je určený pre upevnenie na stenu a doplnený o bakteriologický filter.

Typ	Prevedenie	Použitie	Artikel
DS2	na stenu <b>bez</b> bakteriologického filtra	DUO, DUO 2V, DUO2	451000Z01-004
DS2	na stenu <b>s</b> bakteriologickým filtrom		451000Z01-005
DS4	<b>s</b> bakteriologickým filtrom	DUO,DUO 2V	451000Z01-006
DS5	<b>s</b> bakteriologickým filtrom	DUO2	451000Z01-007
DS6	<b>bez</b> bakteriologického filtra	DUO,DUO 2V	451000Z01-008
DS7	<b>bez</b> bakteriologického filtra	DUO2	451000Z01-009

**8.2.6. Zásuvka pre ekvipotenciálne pospojovanie**

Zásuvka umožňuje ochranné pospojovanie.  
(Obr.10)

Typ	Použitie	Názov	Artikel
POAG- KBT6-EC	DUO, DUO 2V, DUO2	Zásuvka	033400075-000
FLEXI-S/POAG-HK6		Vodič (1 m)	034110083-000

**9. FUNKCIA VÝROBKU****Kompresor s odsávačkou (Obr.1)**

Agregát kompresora (1) nasáva atmosférický vzduch cez vstupný filter (8) a stláča ho cez spätný ventil (3) do vzdušníka (2) a spotrebič odoberá stlačený vzduch zo vzdušníka. Ak klesne tlak vo vzdušníku na zapínací tlak, tlakový spínač (4) zapne kompresor a kompresor stláča vzduch do vzdušníka až po vypínací tlak, kedy sa vypne kompresor. Po vypnutí kompresorového agregátu sa odvzdušní tlaková hadica cez odľahčovací solenoidový ventil (13). Poistný ventil (5) zamedzuje prekročeniu tlaku vo vzdušníku nad maximálnu povolenú hodnotu. Vypúšťacím ventilom (7) sa vypúšťa kondenzát zo vzdušníka. Stlačený a čistý vzduch bez stôp oleja je vo vzdušníku pripravený na ďalšie použitie. Zo vzdušníka je potrebné v predpísaných intervaloch vypúšťať skondenovanú kvapalinu (pozri kap.19.1).

Odsávací agregát (36) (pri DUO2 – dva agregáty) nasáva vzduch čím vytvára podtlak v sacom potrubí, ktoré je pripojené k zariadeniu a je zdrojom podtlaku pre odsávanie cudzích látok z pracovného poľa lekára. Nasávaný vzduch je vyvádzaný výfukovým potrubím, ktoré je vyvedené mimo pracovný priestor obsluhy.

**Kompresor s membránovým sušičom.(Obr.2)**

Agregát kompresora (1) nasáva atmosférický vzduch cez vstupný filter (8) a stlačený ho dodáva chladičom (14) cez filter (15), spätný ventil (3) do sušiča (9), vysušený a čistý do vzdušníka (2). Časť vzduchu odchádza mimo sušiča spolu so zachytenou vlhkosťou, čo sa prejaví ako jemné prúdenie vzduchu popri telese sušiča (9). Kondenzát z filtra je automaticky v intervaloch vypúšťaný do fľaše pomocou solenoidného ventilu odvodu kondenzátu (16). Sušič zabezpečí kontinuálne

sušenie stlačeného vzduchu. Vypúšťacím ventilom (7), sa vypúšťa kondenzát zo vzdušníka v prípade kontroly sušenia. Stlačený, suchý a čistý vzduch bez stôp oleja je vo vzdušníku pripravený na ďalšie použitie.

Pre optimálnu prevádzku membránového sušiča je sušič spojený so vzdušníkom priamo, bez spätného ventilu. Keďže membránový sušič obsahuje vlákna so selektívnou membránou, dochádza cez ne k malému úniku vzduchu (približne 0,5 bar/30min).

Preto postupný pomalý pokles tlaku je prítomný aj v stave bez odberu vzduchu z kompresora (zo vzdušníka) a nepredstavuje poruchu.

Tlakovú nádobu nie je potrebné odkalovať.

Odsávací agregát (36) (pri DUO2 – dva agregáty) nasáva vzduch čím vytvára podtlak v sacom potrubí, ktoré je pripojené k zariadeniu a je zdrojom podtlaku pre odsávanie cudzích látok z pracovného poľa lekára. Nasávaný vzduch je vyvádzaný výfukovým potrubím, ktoré je vyvedené mimo pracovný priestor obsluhy.

### **Skrinka kompresora (Obr.3)**

Skrinka zabezpečuje kompaktné prekrytie kompresora, čím účinne tlmí hluk, pričom zabezpečuje dostatočnú výmenu chladiaceho vzduchu. Svojím dizajnom je vhodná na umiestnenie v ordinácii ako súčasť nábytku. Ventilátor pod agregátom kompresora zabezpečuje chladenie kompresora, je v činnosti súčasne s motorom kompresora alebo po zapnutí teplotného spínača pri teplote vyššej ako 40°C. Po vychladení priestoru v skrinke pod cca 32°C sa ventilátory automaticky vypnú.

Dvere skrinky s pravým otváraním je možné zmeniť na otváranie vľavo (pozri kap.12.2)



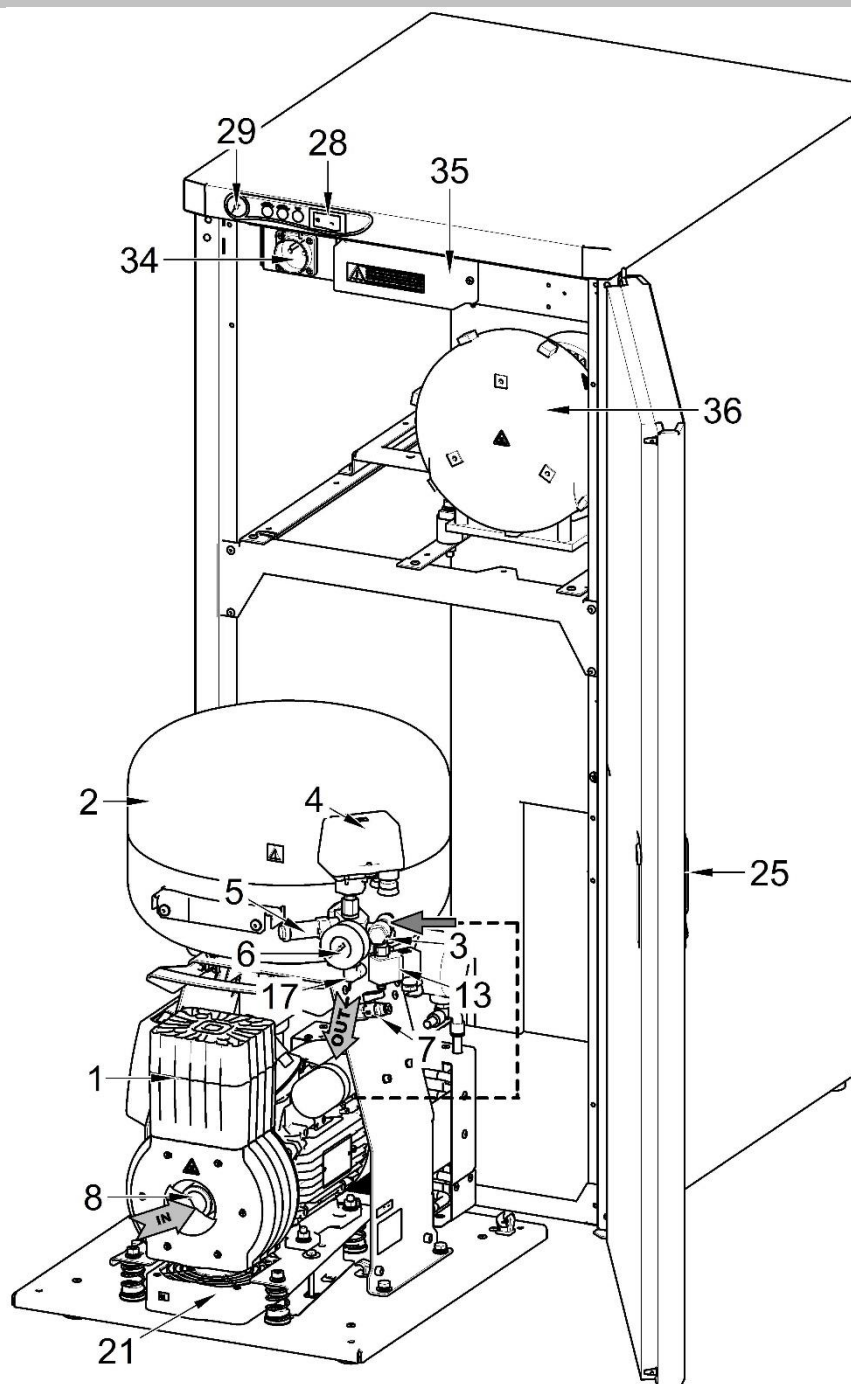
**Je zakázané vytvárať prekážky na vstupe chladiaceho vzduchu do skrinky ( po obvode spodnej časti skrinky ) a na výstupe teplého vzduchu v hornej zadnej časti skrinky.**



**V prípade umiestnenia kompresora na mäkkú podlahu, napr. koberec, je nutné vytvoriť medzeru medzi základňou a podlahou alebo skrinkou a podlahou, napr. podloženie pätiiek tvrdými podložkami z dôvodu zabezpečenia dostatočného chladenia kompresora.**

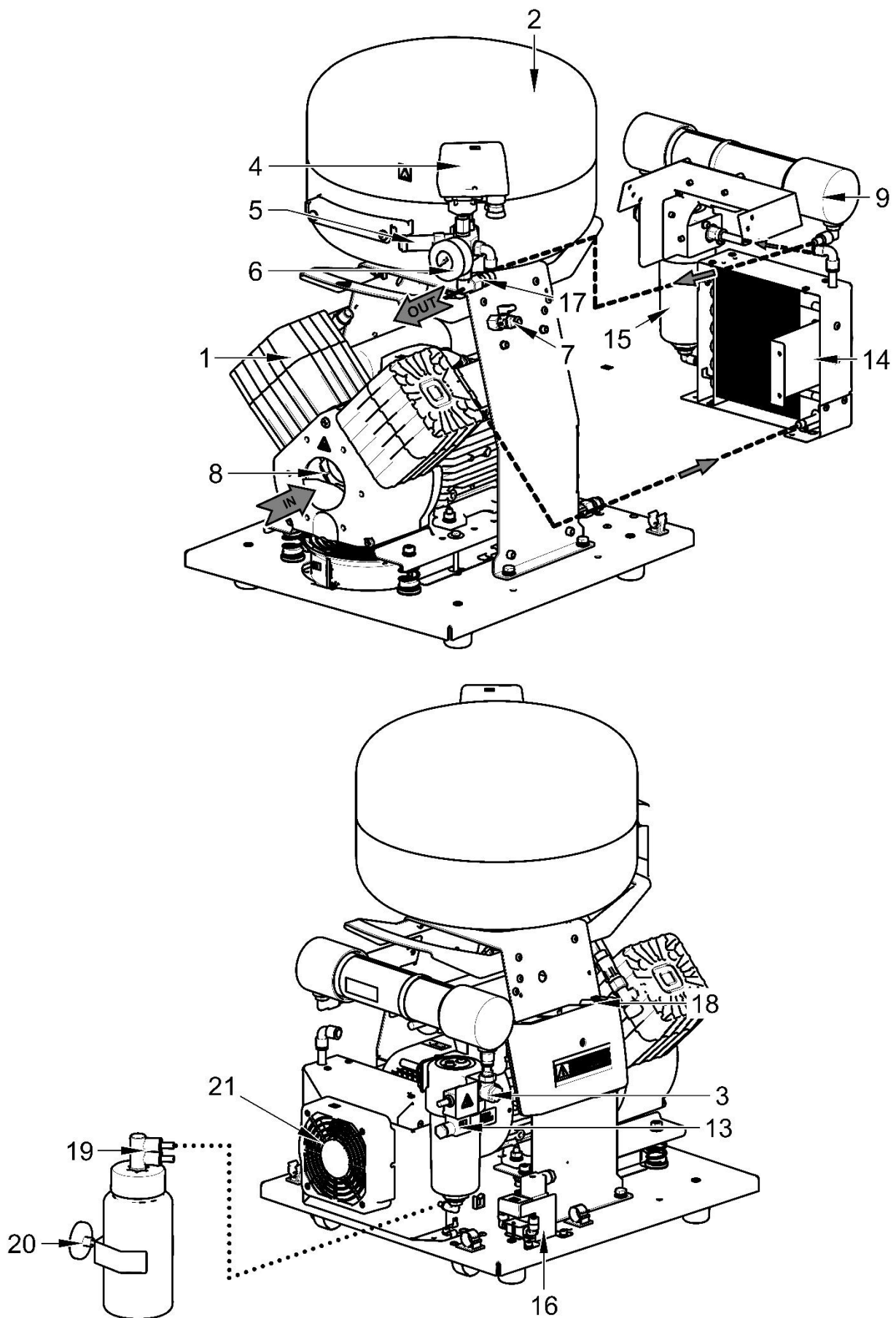
Obr. 1 - DUO - Kompresor s odsávačkou

Popis k obrázkom 1 - 3

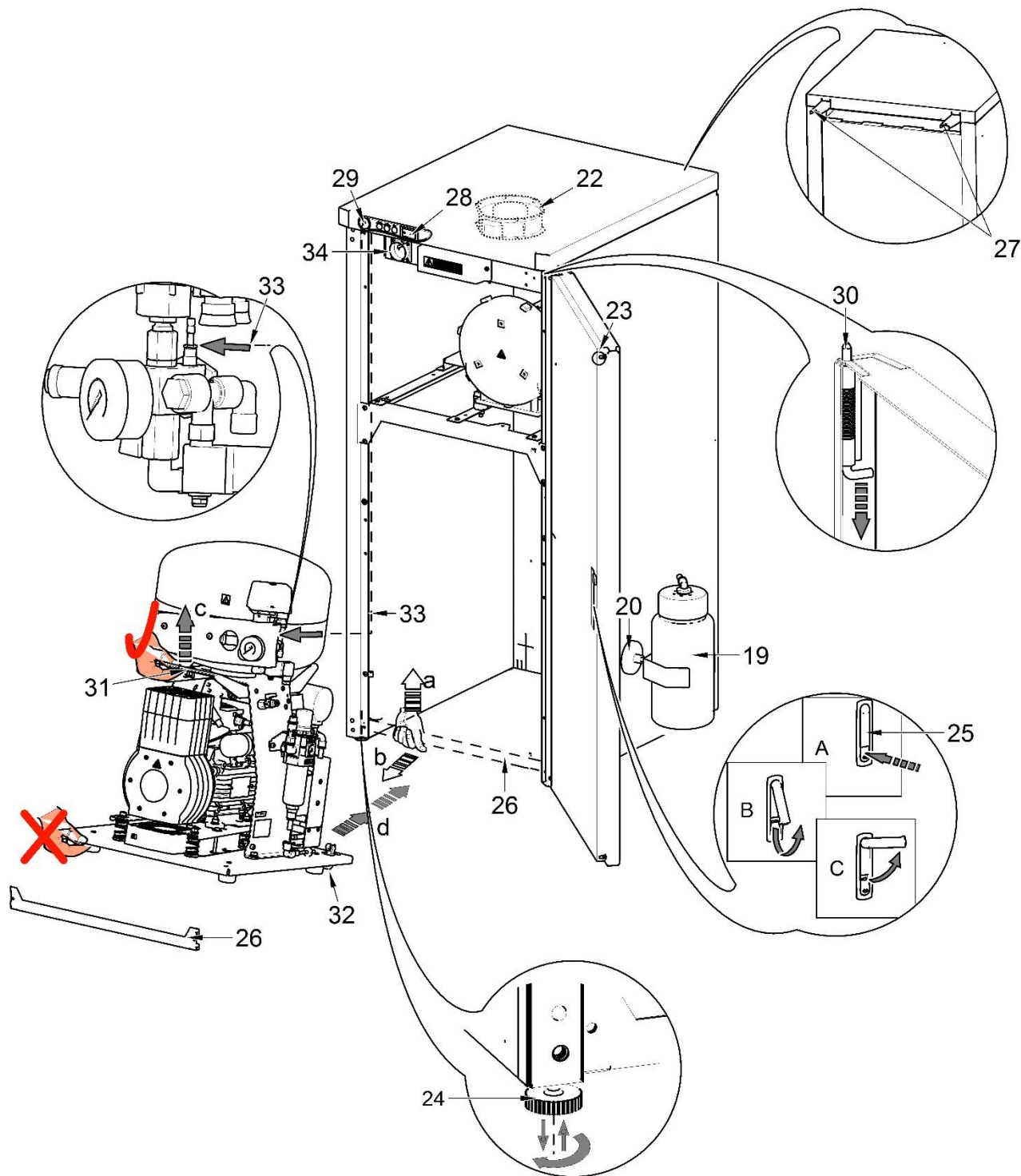


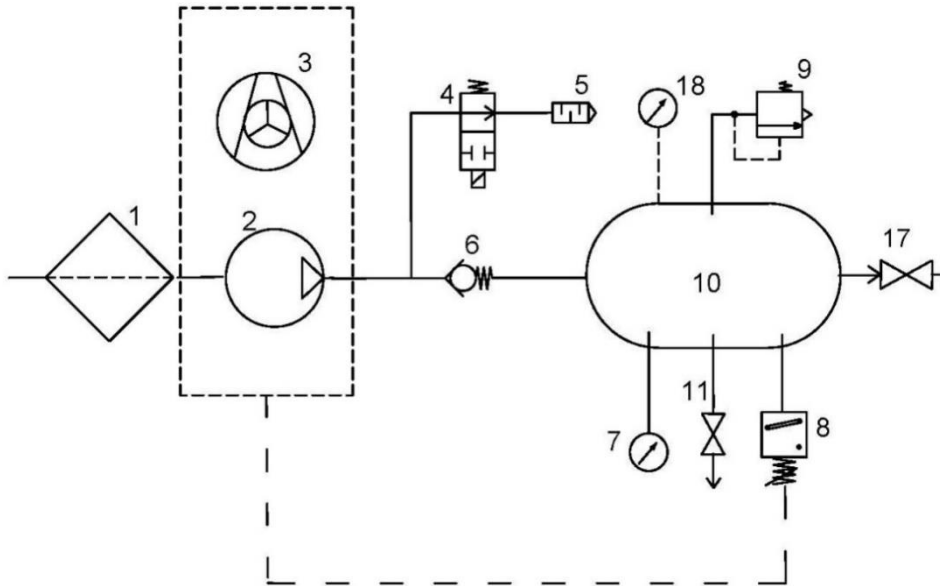
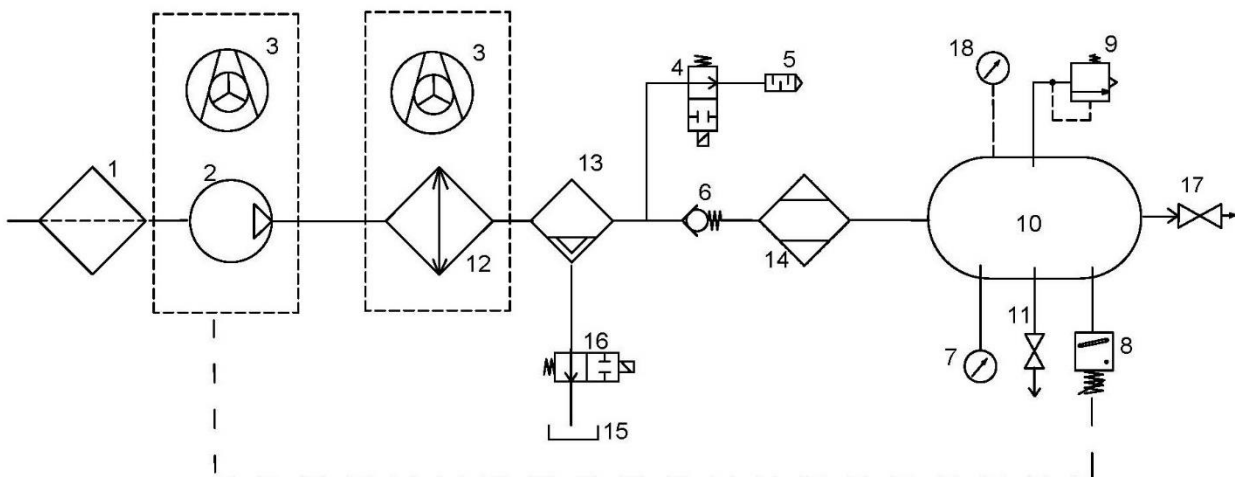
- 1 Agregát kompresora
- 2 Vzdušník
- 3 Spätný ventil
- 4 Tlakový spínač
- 5 Poistný ventil
- 6 Tlakomer
- 7 Vypúšťací ventil
- 8 Vstupný filter
- 9 Sušič
- 10 -
- 11 -
- 12 -
- 13 Solenoidný ventil
- 14 Chladič sušiča
- 15 Filter
- 16 Solenoidový ventil odvodu kondenzátu
- 17 Výstup vzduchu
- 18 Istiaci vypínač
- 19 Fľaša
- 20 Magnetický držiak
- 21 Ventilátor
- 22 Ventilátor skrinky
- 23 Kolík dverový
- 24 Rektifikačná skrutka
- 25 Zámok
- 26 Spojovacia výstuha
- 27 Doraz stenový
- 28 Vypínač
- 29 Manometer
- 30 Dverový pánt
- 31 Rukoväť
- 32 Kolieska
- 33 Hadička manometra
- 34 Zásuvka
- 35 Blok spínania odsávačky
- 36 Odsávací agregát

Obr.2 - DK50 2V/M - Kompresor so sušičom



Obr.3 - Skrinka DUO



**10. PNEUMATICKÁ SCHÉMA**
**DK50 PLUS, DK50 2V**

**DK50 PLUS/M, DK50 2V/M**

**Popis k pneumatickým schémam**

- |                       |                                          |
|-----------------------|------------------------------------------|
| 1. Vstupný filter     | 10. Vzdušník                             |
| 2. Kompresor          | 11. Vypúšťací ventil                     |
| 3. Ventilátor         | 12. Chladič                              |
| 4. Odľahčovací ventil | 13. Koalescenčný filter                  |
| 5. Tlmič hluku        | 14. Membránový sušič                     |
| 6. Spätný ventil      | 15. Nádobu na zber kondenzátu            |
| 7. Tlakomer           | 16. Solenoidový ventil odvodu kondenzátu |
| 8. Tlakový spínač     | 17. Výstupný ventil                      |
| 9. Poistný ventil     | 18. Tlakomer skrinky                     |



## INŠTALÁCIA

### 11. PODMIENKY POUŽITIA

- Prístroj sa smie inštalovať a prevádzkovať len v suchých, dobre vetraných a bezprašných priestoroch, kde parametre prostredia zodpovedajú požiadavkám uvedeným v kap. 7 - Technické údaje. Kompresor sa musí inštalovať tak, aby bol ľahko prístupný pre obsluhu a údržbu a aby bol prístupný výrobný štítok.
- Prístroj musí stáť na rovnom dostatočne stabilnom podklade (pozor na hmotnosť kompresora, pozri kap. 7. Technické údaje).
- Prístroje nemôžu byť prevádzkované vo vonkajšom prostredí, ani vo vlhkom alebo mokrom prostredí. Zariadenie je zakázané používať v priestoroch s prítomnosťou výbušných plynov, prachov alebo horľavých kvapalín.
- Pred zabudovaním kompresora do zdravotníckych zariadení musí dodávateľ posúdiť, či médium – vzduch, dané k dispozícii, vyhovuje požiadavkám daného účelu použitia. Rešpektujte s týmto zreteľom technické údaje výrobku. Klasifikáciu a hodnotenie zhody má pri zabudovaní vykonávať výrobca - dodávateľ konečného výrobku.
- Iné použitie alebo použitie nad tento rámec sa nepovažuje za používanie podľa zamýšľaného použitia. Výrobca neručí za škody z toho vyplývajúce. Riziko znáša výlučne prevádzkovateľ / používateľ.



**Kompresor musí inštalovať a po prvýkrát uviesť do prevádzky len kvalifikovaný odborník. Jeho povinnosťou je zaškoliť obsluhujúci personál o používaní a údržbe zariadenia. Inštaláciu a zaškolenie obsluhy potvrdí zápisom v dokumente o inštalovaní zariadenia.**



**Pred prvým uvedením do prevádzky sa musia odstrániť všetky prvky slúžiace na fixáciu zariadenia počas dopravy – inak hrozí poškodenie výrobku.**



**Pri činnosti kompresora sa časti agregátu a odsávačky môžu zohriať na teploty nebezpečné pre dotyk obsluhy alebo materiálu. Nebezpečenstvo popálenia alebo požiaru! Pozor horúci povrch!**

### Podmienky okolia pri prevádzke

<i>Teplota :</i>	+5°C až +40°C,
<i>Relatívna vlhkosť max.:</i>	70%,
<i>Absolútna vlhkosť max.</i>	15 g/m <sup>3</sup> .

## 12. USTAVENIE KOMPRESORA



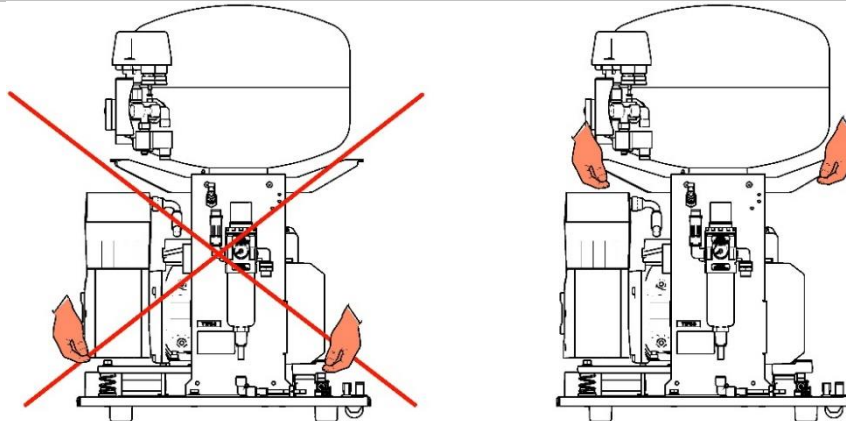
Výrobok musí inštalovať vyškolený kvalifikovaný odborník.

- Vybalit' kompresor z obalu.

### 12.1. Manipulácia a odfixovanie

- Uložit' kompresor na miesto prevádzky (Obr.4)

Obr. 4

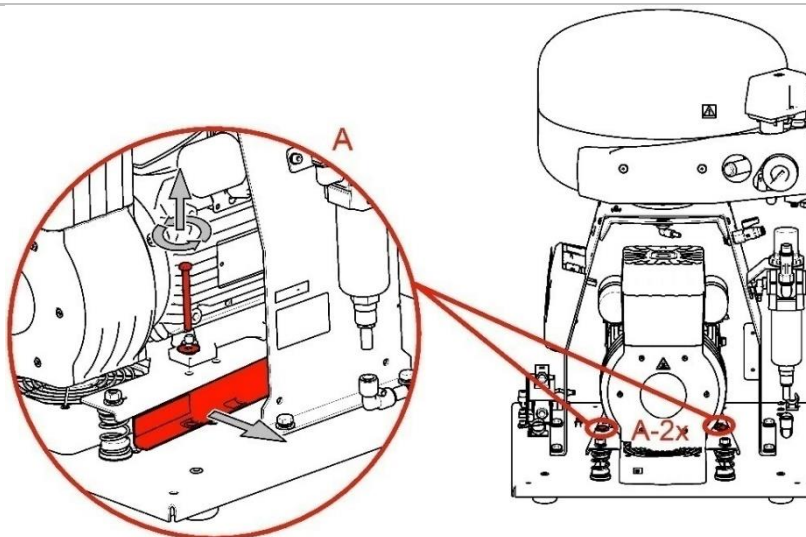


- Odstrániť prepravné zaistenie agregátov. (Obr.5)



Odstrániť fixačné prvky agregátov až po ustavení a vyvážení kompresora na mieste konečného uloženia !

Obr. 5

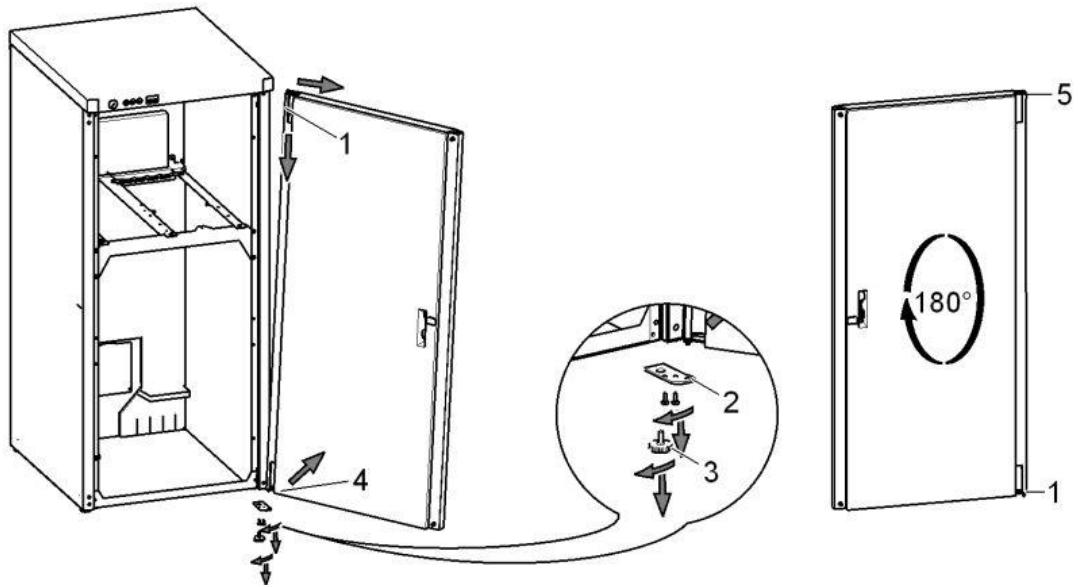


### 12.2. Zmena otvárania dverí

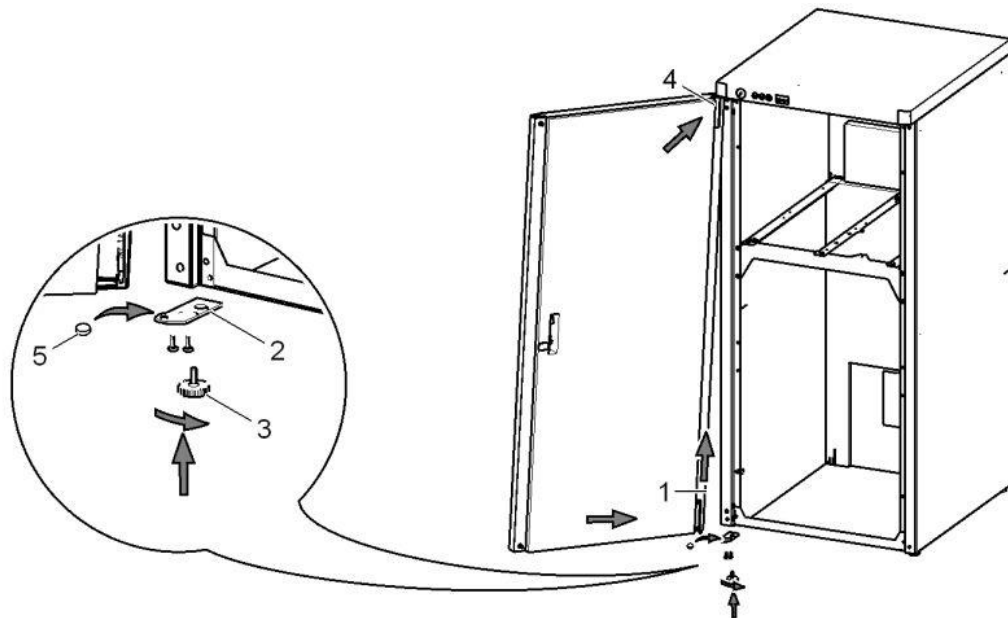
- Demontovať dvere , rektifikačnú skrutku (3) a držiak (2) pántu D (4).
- Držiak pántu D (2) namontovať na ľavú stranu skrinky.
- Dvere otočiť o 180°.
- Medzi pánt H (1) a spodnú stranu dverí vložiť dištančnú podložku (5).
- Namontovať dvere.
- Demontovať zámok (6) na dverách a otočiť o 180 °
- Demontovať západku (7) a otočiť o 180 °.
- Namontovať zámok.

**DUO, DUO 2V, DUO 2**

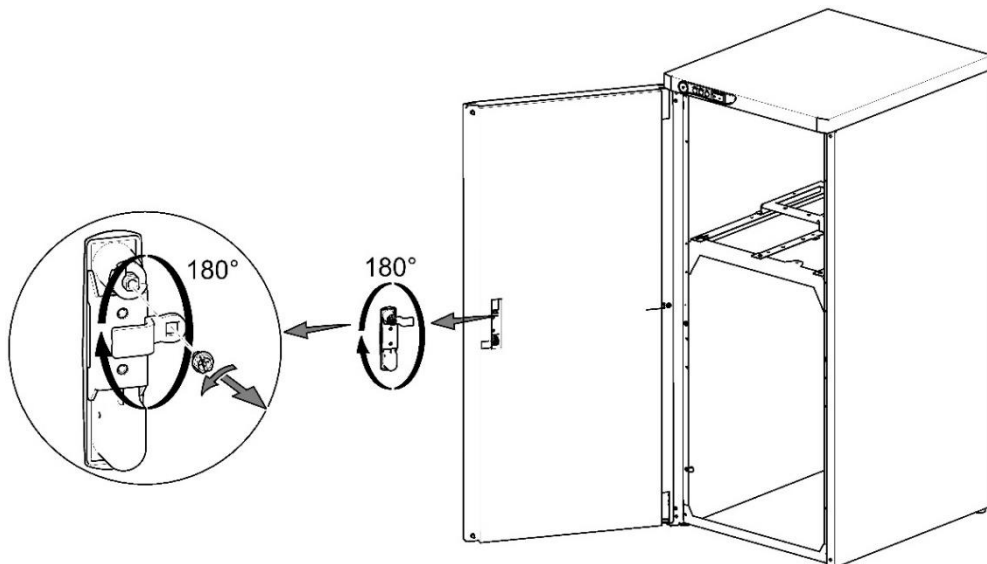
**A**



**B**



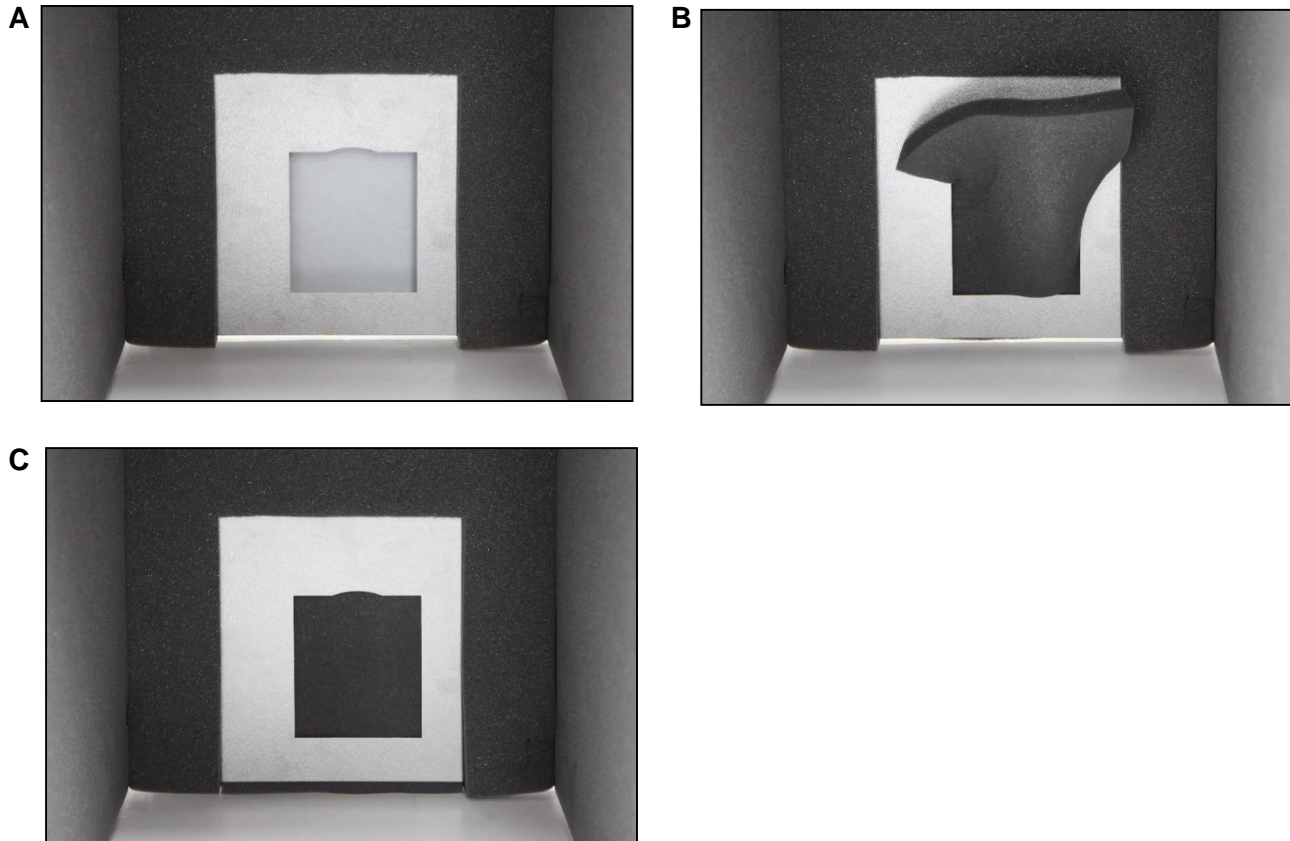
**C**



### 12.3. Doplnenie zvukovo-izolačného materiálu do skrinky

Do skrinky pre kompresor bez sušiča je potrebné osadiť do otvoru v skrinke dielec zo zvukovo-izolačného materiálu.

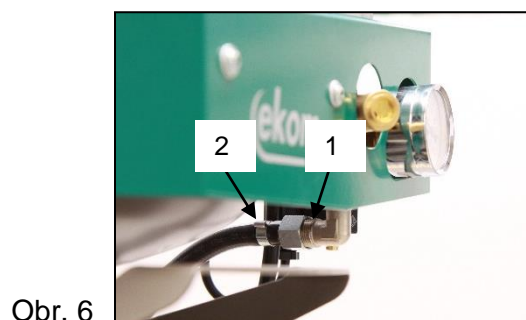
Dielec je súčasťou základného vybavenia výrobku.



## 13. PNEUMATICKÉ PRIPOJENIE

### 13.1. Výstup stlačeného vzduchu (Obr.6)

Na výstup stlačeného vzduchu (1) kompresora pripojiť tlakovú hadicu (2). Hadicu viesť k pneumatickému rozvodu alebo priamo k spotrebiču – stomatologickej súprave.



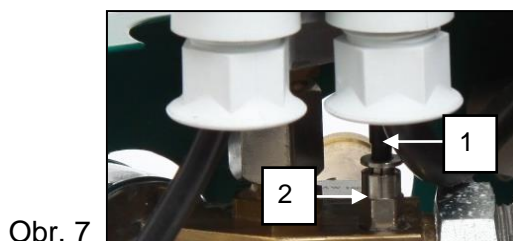
Obr. 6



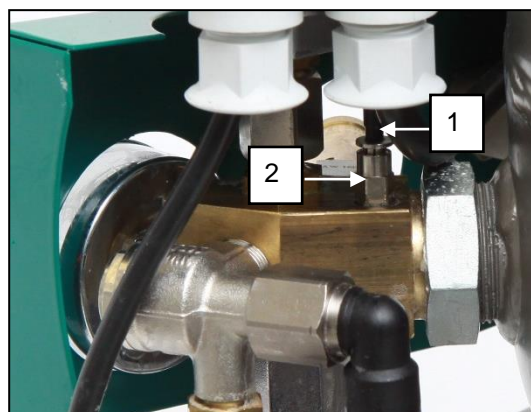
Pri kompresore v skrinke vyviesť tlakovú hadicu cez otvor v zadnej stene skrinky. (Obr. 8)

### 13.2. Pripojenie tlakomera skrinky ku kompresoru (Obr. 7)

Odstrániť zátku (1) zo skrutkovania (2) na pneumatickom bloku kompresora. Hadičku tlakomera skrinky pripojiť ku skrutkovaniu.

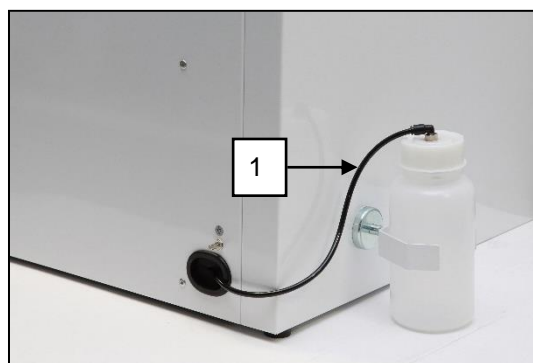


Obr. 7



### 13.3. Pripojenie nádoby na kondenzát (Obr. 8)

- Pri kompresore so sušičom v skrinke vyviešť hadičku (1) cez otvor v zadnej stene skrinky a pripojiť k nádobe.



Obr. 8

### 13.4. Prípojka podtlaku

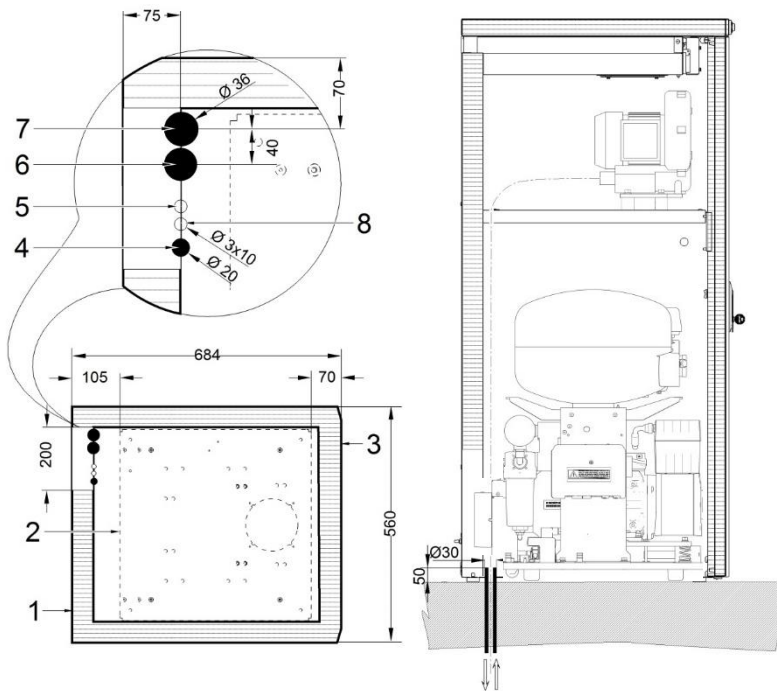
(Obr. 9)

Odsávací agregát je vybavený hadicami pre sanie a výtlak. Hadice pripojené na vstup/výstup odsávacieho agregátu sú vedené pri zadnej stene skrinky do jej spodnej časti. Hadice odsávacieho agregátu je možné pripojiť do potrubia v podlahe alebo vyviešť cez zadný otvor skrinky (10). Saciu hadicu pripojiť na potrubie ku spotrebiču a výtlačnú hadicu pripojiť na potrubie vyvedené mimo pracovný priestor obsluhy. V prípade potreby zníženia hlučnosti prechádzajúceho vzduchu hadicou je možné na výstup odsávačky pripojiť tlmáč hluku (viď. Kap. 8.2.- dodatkové vybavenie). Ak je nutné vyviešť výstup vzduchu z odsávačky do interiéru je potrebné na odsávačku pripojiť tlmáč hluku s bakteriologickým filtrom.



**Riziko biologickej kontaminácie. Výtlačnú hadicu z odsávačky je potrebné vyviešť mimo pracovný priestor obsluhy alebo doplniť tlmáčom hluku s bakteriologickým filtrom.**

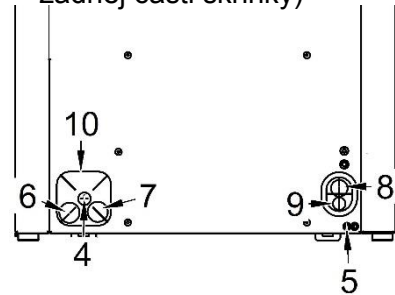
Obr. 9A - Inštalácia DUO, DUO2V (rozvody v podlahe)



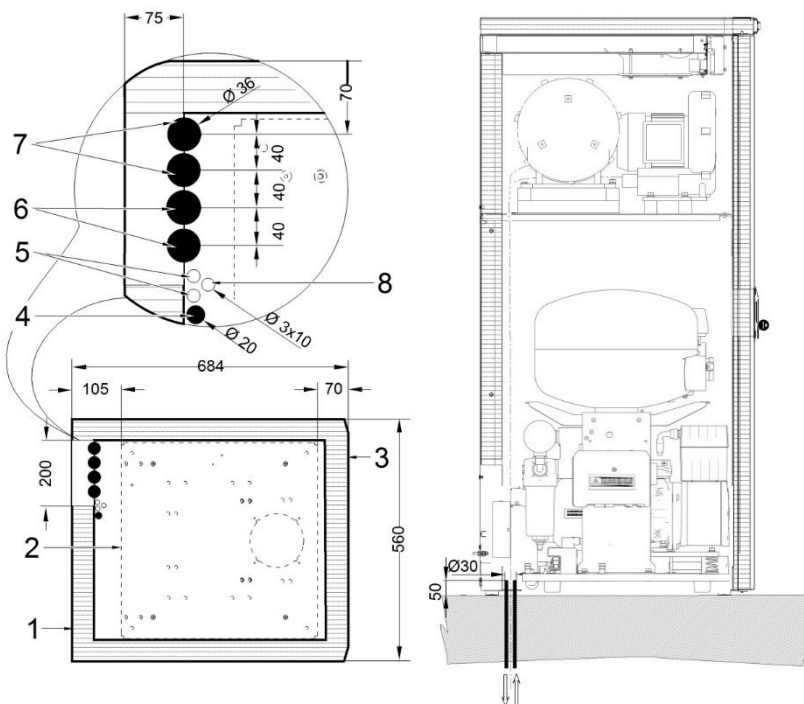
- 1 - Obrys skrinky
- 2 - Obrys základne
- 3 - Predná časť - dvere
- 4 - Prípojka tlakového vzduchu G3/8"
- 5 - Prívod ovládania odsávačky 2Ax0.75
- 6 - Sanie odsávačky
- 7 - Výtlak odsávačky
- 8 - Prívod napájacieho napätia 230V/50(60)Hz, 3Gx1.5
- 9 - Odvod kondenzátu pri sušičovej verzii

- všetky rozmery sú v milimetroch  
 - vzdialenosť zadnej steny výrobku od prekážky - steny min. 100mm

(Pripojenie cez otvor v zadnej časti skrinky)



Obr. 9B - Inštalácia DUO 2 (rozvody v podlahe)



- 1 - Obrys skrinky
- 2 - Obrys základne
- 3 - Predná časť - dvere
- 4 - Prípojka tlakového vzduchu G3/8"
- 5 - Prívod ovládacieho napätia odsávačky 2Ax0.75
- 6 - Sanie + výtlak 1. odsávačky
- 7 - Sanie + výtlak 2. odsávačky (DUO 2)
- 8 - Prívod napájacieho napätia 230V/50(60)Hz 3Gx1.5

- všetky rozmery sú v milimetroch  
 - vzdialenosť od steny min.100mm

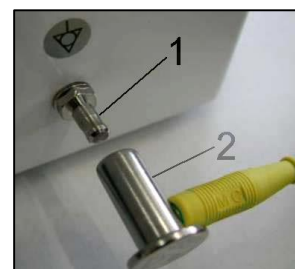
## 14. ELEKTRICKÉ ZAPOJENIE

Výrobok sa dodáva so šnúrou zakončenou vidlicou s ochranným kontaktom. Vidlicu sieťovej šnúry zapojiť do sieťovej zásuvky.



**Je nevyhnutne potrebné rešpektovať miestne elektrotechnické predpisy. Napätie siete a kmitočet musia súhlasiť s údajmi na prístrojovom štítku.**

- Zásuvka musí byť z bezpečnostných dôvodov dobre prístupná, aby sa výrobok v prípade nebezpečenstva mohol bezpečne odpojiť zo siete.
- Príslušný prúdový okruh musí byť v rozvode elektrickej energie istený maximálne 16 A.
- Kolík na ekvipotenciálne pospojovanie  $\varnothing$  6mm (1) prepojiť s rozvodom podľa platných elektrotechnických predpisov. Zásuvka na ekvipotencionálne pospojovanie (2) je doplnkové príslušenstvo a nenachádza sa v základnom balení. (Obr.10)



Obr. 10



**Elektrický kábel sa nesmie dotýkať horúcich častí kompresora. Riziko zásahu elektrickým prúdom!**



**Elektrická šnúra na pripojenie na elektrickú sieť a vzduchové hadice nesmú byť zlomené.**

Sieťovú šnúru viesť cez zadný otvor skrinky alebo pripojiť na výstup z podlahy (Obr. 8, 9).

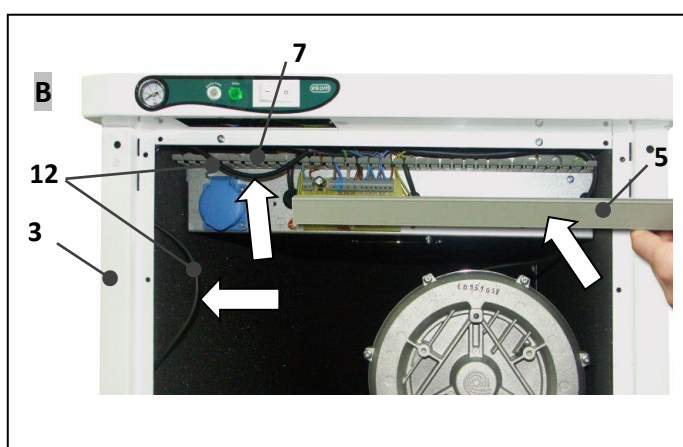
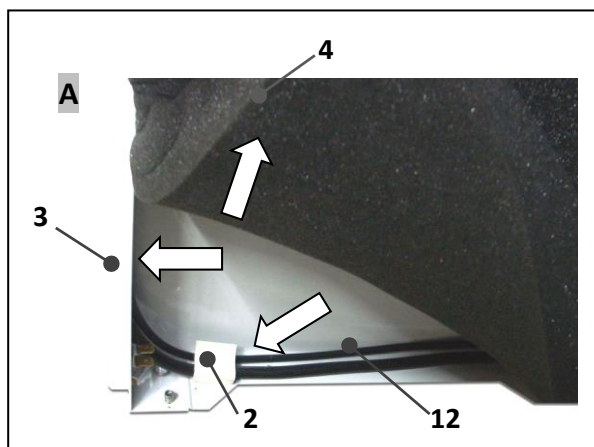
### 14.1. Prípojka ovládania odsávačky

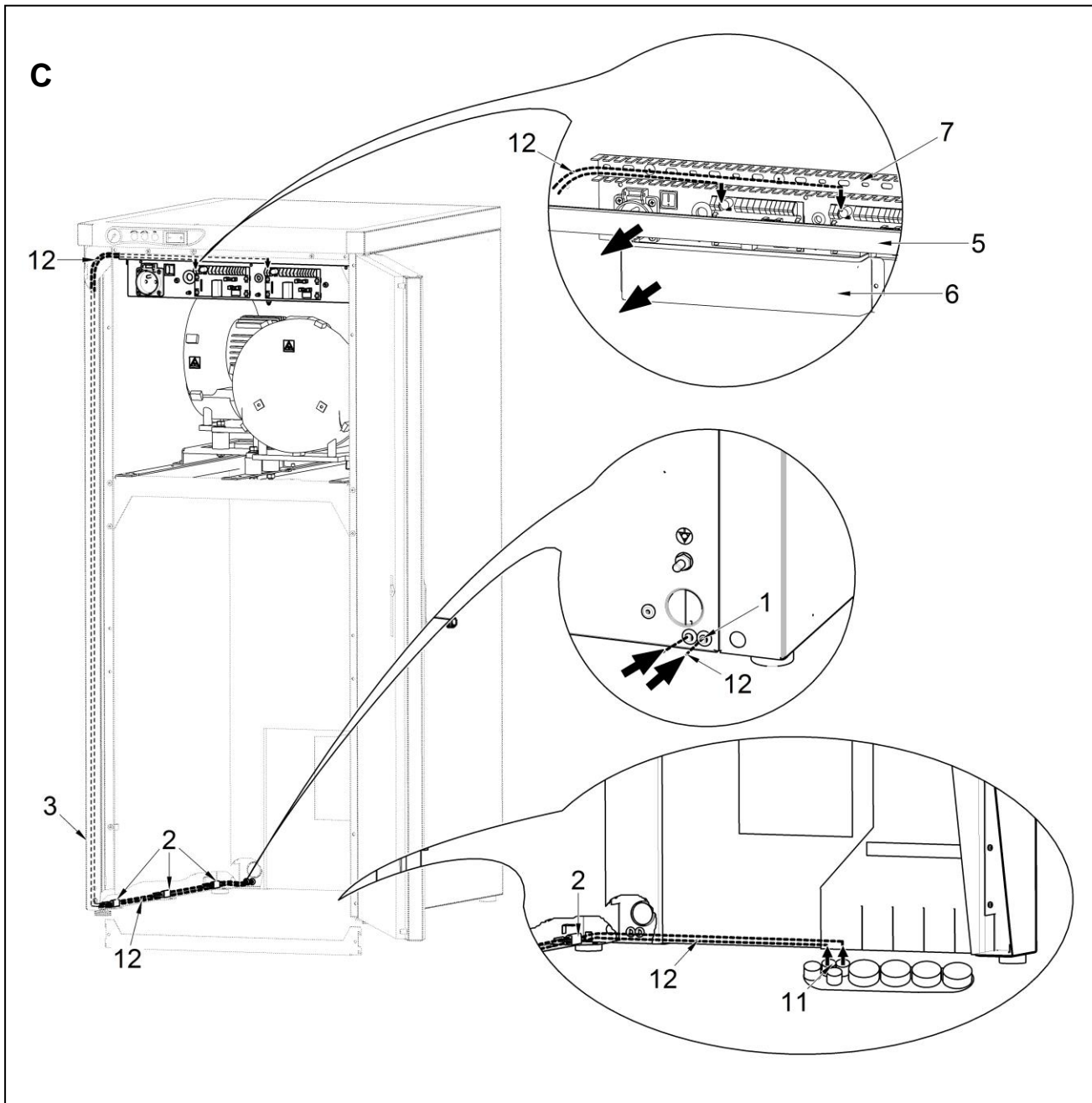
(Obr.11)

Šnúru (12) ovládania odsávačky (24V AC/DC) prevliecť otvorom v zadnej časti skrinky (1) alebo potrubím v podlahe (11), prichytiť príchytkami (2) umiestnenými na ľavom paneli skrinky v jeho spodnej časti a viesť dutinou (3) v čelnej časti skrinky. Pred vložením šnúry do príchytiek treba odsunúť zvukovo-izolačný materiál (4) v rohoch skrinky. Zložiť kryt kanálu elektrického rozvodu (5) a kryt elektropanelu (6). Šnúru ovládania odsávačky pripojiť na svorku plošného spoja podľa elektrickej schémy, zasunúť ju do dutiny (3) v čelnej časti skrinky za zvukovo-izolačný materiál na boku skrinky (4) a do kanálu elektrického rozvodu (7).



**Elektrický kábel sa nesmie dotýkať horúcich častí kompresora. Môže sa poškodiť izolácia!**





Obr.11



# DUO, DUO 2V, DUO 2

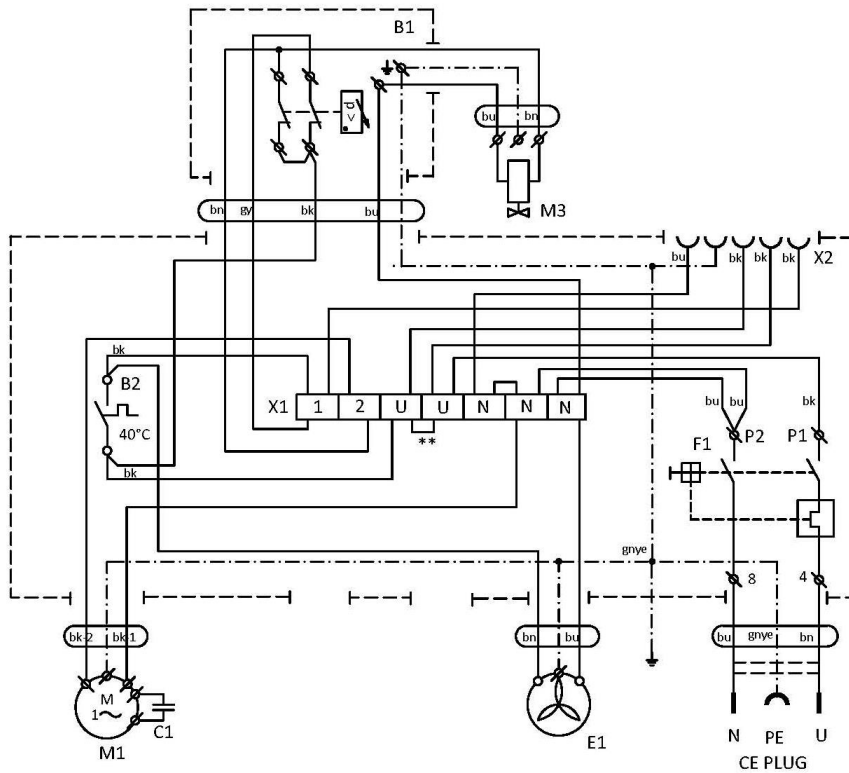
## 15. SCHÉMA ZAPOJENIA

**DK50 PLUS, DK50 2V**

**5-7 bar, 6-8 bar**

1/N/PE ~ 230V/50Hz, 230V/60Hz

ELECTRICKÝ PREDMET TR.1

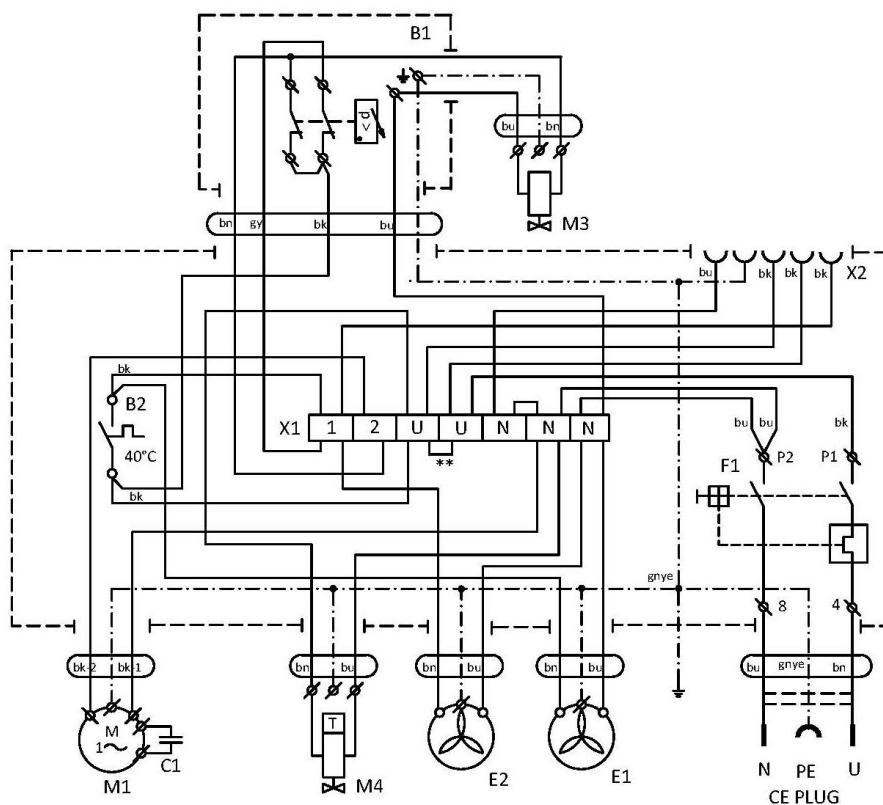


**DK50 PLUS/M, DK50 2V/M**

**5-7 bar, 6-8 bar**

1/N/PE ~ 230V/50Hz, 230V/60Hz

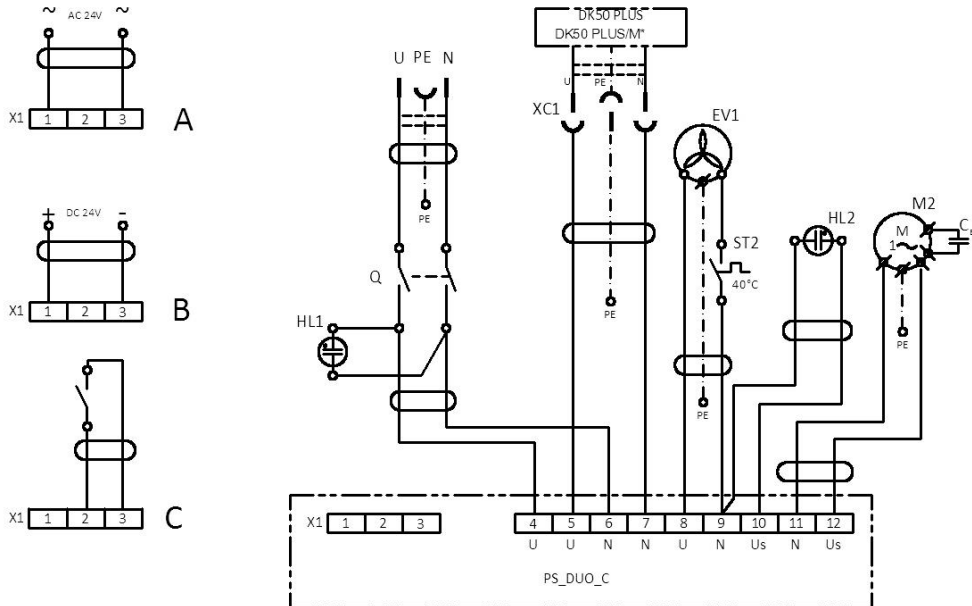
ELECTRICKÝ PREDMET TR.1



**Skrinka Duo s odsávačkou**
**DUO**

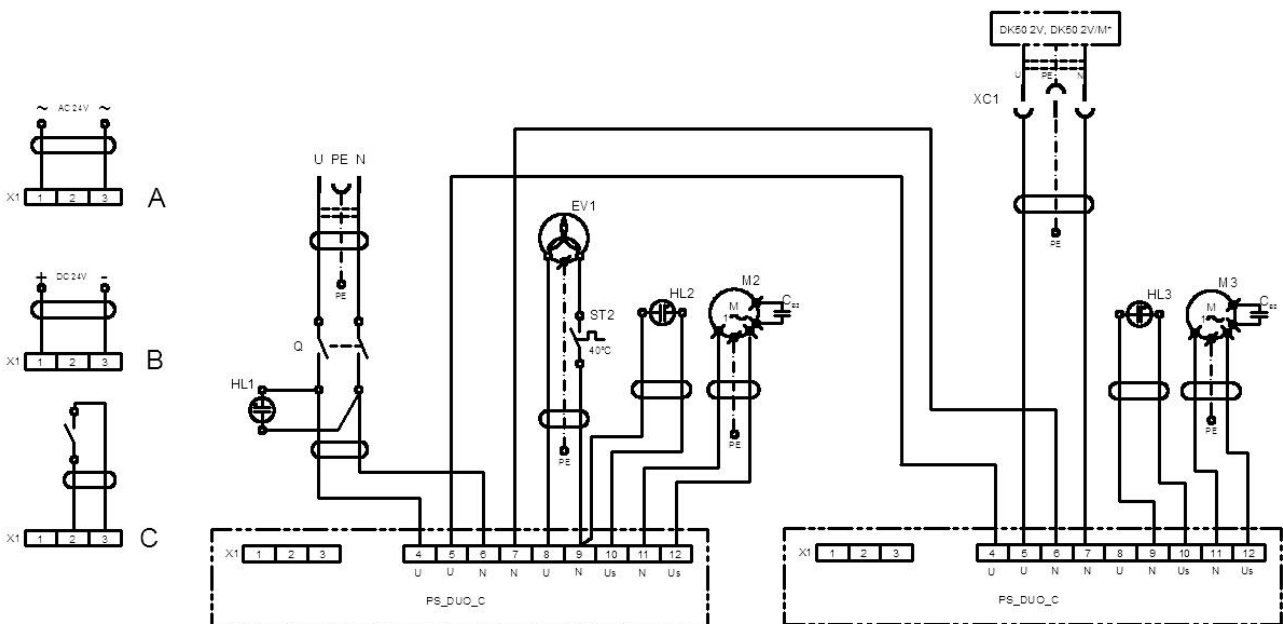
1/N/PE ~ 230V/50Hz, 230V/60Hz

ELECTRICKÝ PREDMET TR.1


**DUO2, DUO 2V**

1/N/PE ~ 230V/50Hz, 230V/60Hz

ELECTRICKÝ PREDMET TR.1


**Popis k elektrickým schémam**

M1	Motor kompresora	X1	Svorkovnica
E1	Ventilátor kompresora	F1	Istiaci vypínač
E2	Ventilátor sušiča	M4	Ventil odvodu kondenzátu
M3	Odľahčovací ventil	XC1	Zásuvka
B2	Teplotný spínač	HL1,HL2	Tlejivky
EV1	Ventilátor skrinky	HL3	Tlejivky
X2	Konektor	M2, M3	Motor odsávačky
C1, Cb	Kondenzátor	ST2	Teplotný spínač
B1	Tlakový spínač	Q	Vypínač

**OBSLUHA**

**ZARIADENIE SMIE OBSLUHOVAŤ LEN VYŠKOLENÝ PERSONÁL !**



**PRI NEBEZPEČENSTVE ODPOJIŤ KOMPRESOR OD SIETE (VYTIAHNUŤ SIEŤOVÚ ZÁSTRČKU).**



**AGREGÁT KOMPRESORA MÁ HORÚCE POVRCHOVÉ PLOCHY. PRI DOTYKU EXISTUJE NEBEZPEČENSTVO POPÁLENIA.**



Pri dlhšom chode kompresora alebo odsávačky sa zvýši teplota v okolí kompresora nad 40°C a vtedy sa automaticky zopne chladiaci ventilátor. Po vychladení priestoru pod cca 32°C sa ventilátor opäť vypne.



Automatické spustenie. Keď tlak v tlakovej nádrži poklesne na zapínací tlak, kompresor sa automaticky zapne. Kompresor sa automaticky vypne, keď tlak vo vzdušniku dosiahne hodnotu vypínacieho tlaku.



Je zakázané meniť pracovné tlaky tlakového spínača nastaveného u výrobcu. Činnosť kompresora pri nižšom pracovnom tlaku ako je zapínací tlak svedčí o vysokej spotrebe vzduchu (pozri kap. VYHLÁDÁVANIE PORÚCH A ICH ODSTRÁNENIE - Poruchy).



Požadovaný stupeň sušenia je možné dosiahnuť len pri dodržaní predpísaných prevádzkových podmienok!



Pri prevádzke sušiča pri tlaku nižšom ako je minimálny pracovný tlak sa zníži účinnosť sušenia a zhorší sa dosahovaný rosný bod!



**PRI PREVÁDZKE SUŠIČA PRI TEPLOTE OKOLIA VYŠŠEJ AKO JE MAXIMÁLNA PREVÁDZKOVÁ TEPLOTA MÔŽE DÔJSŤ K POŠKODENIU SUŠIČA!**

**16. PRVÉ UVEDENIE DO PREVÁDZKY**

- Skontrolovať, či boli odstránené všetky fixačné prvky použité počas prepravy.
- Skontrolovať správne pripojenie vedení tlakového vzduchu.
- Skontrolovať riadne pripojenie na elektrickú sieť.
- Skontrolovať pripojenie hadičky manometra skrinky k pneumatickému bloku kompresora. (Obr.3 a 7)
- Skontrolovať pripojenie elektrickej šnúry kompresora do zásuvky (34) skrinky. (Obr.3)
- Skontrolovať pripojenie šnúry (12) ovládania odsávačky. (Obr.11)
- Skontrolovať pripojenie hadíc pre sanie a výtlak. (Obr.9)
- Skontrolovať polohu istiaceho vypínača, musí byť v polohe „I“. V prípade, že sa nachádza v polohe „0“, zapnúť istiaci vypínač (4) do polohy „I“. (Obr.12)
- Zapnúť vypínač (5) na prednej časti skrinky zariadenia do polohy „I“ – zelená kontrolka signalizuje stav zariadenia v prevádzke. (Obr.12)



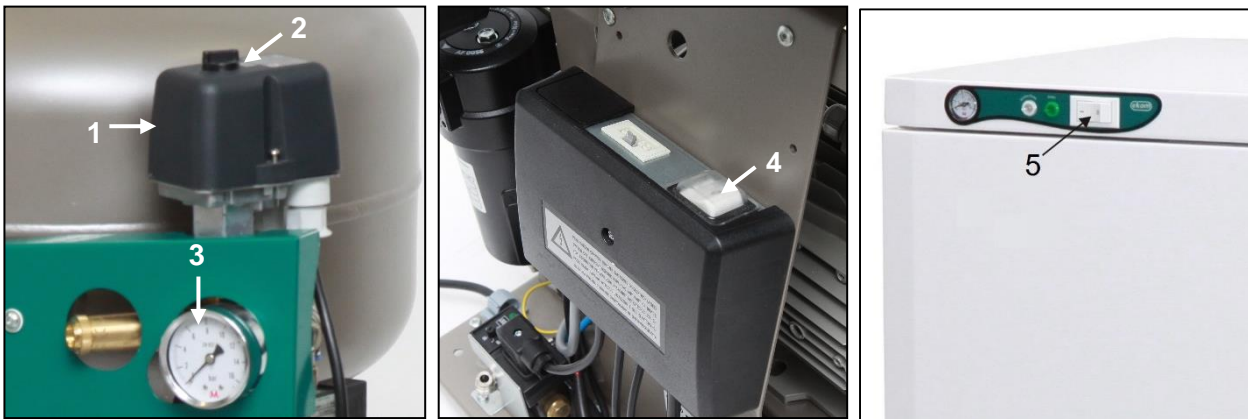
**Kompresor neobsahuje záložný zdroj energie.**

## 17. ZAPNUTIE KOMPRESORA

(Obr.12)

Kompresor zapnúť na tlakovom spínači (1) otočením prepínača (2) do polohy „I“. Skontrolovať polohu istiaceho vypínača, musí byť v polohe „I“. Ak nie je, zapnúť vypínač (4) do polohy „I“. Zapnúť vypínač (5) na prednej strane skrinky, kontrolka sa rozsvieti na zeleno. Kompresor začne pracovať, naplní vzdušník na vypínací tlak a tlakový spínač vypne kompresor. Ďalej už kompresor pracuje v automatickom režime, podľa spotreby stlačeného vzduchu sa kompresor zapína a vypína.

Hodnoty zapínacieho a vypínacieho tlaku skontrolovať na tlakomere (3). Hodnoty môžu byť v tolerancii  $\pm 10\%$ . Tlak vzduchu vo vzdušníku nesmie prekročiť povolený prevádzkový tlak.



Obr.12



**Pri kompresore nie je dovolené svojvoľne meniť tlakové medze tlakového spínača. Tlakový spínač (1) bol nastavený u výrobcu a ďalšie nastavenie zapínacieho a vypínacieho tlaku môže vykonať iba kvalifikovaný odborník vyškolený výrobcou.**

**Kompresor s odsávačkou** – kompresor pri prvom zapnutí a uvedení do činnosti sa naplní vzdušník na vypínací tlak a tlakový spínač vypne kompresor. Ďalej kompresor pracuje už v automatickom režime, podľa spotreby stlačeného vzduchu sa kompresor zapína a vypína.

Odsávací agregát je ovládaný zo súpravy. Činnosť odsávačky signalizuje biela kontrolka v prednej časti skrinky.

**Kompresor so sušičom** – kompresor pracuje rovnako ako v predchádzajúcom prípade avšak počas činnosti kompresora stlačený vzduch prechádza sušičom, ktorý odoberá vlhkosť zostlačeného vzduchu.

## 18. VYPNUTIE KOMPRESORA

(Obr.12)

Vypnutie kompresora kvôli vykonaniu servisu alebo z iného dôvodu sa vykoná na tlakovom spínači (1) otočením prepínača (2) do polohy „0“ a **vytiahnutím sieťovej vidlice zo zásuvky**. Kompresor je tým odpojený od napájacej siete. Znížiť tlak vo vzdušníku na nulu otvorením vypúšťacieho ventilu (Obr. 13).

## ÚDRŽBA

### 19. ÚDRŽBA VÝROBKU

#### Upozornenie!

Prevádzkovateľ je povinný zabezpečiť vykonávanie opakovaných skúšok zariadenia minimálne 1x za 24 mesiacov (EN 62353) alebo v intervaloch, ktoré určujú príslušné národné právne predpisy. O výsledkoch skúšok musí byť vykonaný záznam (napr.: podľa EN 62353, Príloha G) spolu s metódami merania.

Zariadenie je konštruované a vyrobené tak, aby jeho údržba bola minimálna. Pre riadnu a spoľahlivú činnosť kompresora je však potrebné vykonávať práce podľa nasledujúceho popisu.



Pred začatím prác týkajúcich sa údržby kompresora je nutné skontrolovať, či je možné odpojiť kompresor od spotrebiča, aby tým nevzniklo riziko poškodenia zdravia alebo ohrozenia života osoby používajúcej daný spotrebič, prípadne iné materiálne škody!



Počas činnosti kompresora, alebo tesne po jej ukončení majú časti agregátu (hlava, valec, tlaková hadica ) vysokú teplotu – nedotýkať sa uvedených častí!



Opravné práce, ktoré presahujú rámec bežnej údržby, smie vykonávať iba kvalifikovaný odborník alebo zákaznícky servis výrobcu. Používajte iba náhradné diely a príslušenstvo predpísané výrobcom.



**PRED VYPÚŠŤANÍM STLAČENÉHO VZDUCHU Z PNEUMATICKÉHO ROZVODU (VZDUŠNÍKA) SI TREBA CHRÁNIŤ ZRAK, POUŽIŤ OCHRANNÉ OKULIARE.**

Nižšie uvedené práce môže vykonať len zaškolený pracovník nasledovným spôsobom:



**PRED ZAČATÍM VYKONÁVANIA NASLEDUJÚCICH PRÁČ NA ÚDRŽBE JE NUTNÉ VYPNÚŤ KOMPRESOR, ODPOJIŤ HO ZO SIETE (VYTIAHNUŤ SIEŤOVÚ ZÁSTRČKU) A VYPUSTIŤ STLAČENÝ VZDUCH ZO VZDUŠNÍKA.**



Pred údržbou, servisom výrobku alebo pripájaním / odpájaním prívodu stlačeného vzduchu nechať zariadenie vychladnúť!"



Uzemňovací vodič odpojený počas servisného zásahu je potrebné po ukončení prác opätovne pripojiť na pôvodné miesto.



Odsávací agregát môže byť kontaminovaný. V prípade jeho opravy je potrebné odsávací agregát najskôr zaslať na dekontamináciu do špecializovanej firmy, alebo do EKOM spol. s r.o.

**19.1. Intervaly údržby**

Časový interval <sup>e)</sup>	50 Hz	1x za deň	1x za týždeň	1x za rok	1x za 2 roky	2000 h	4000 h	6000 h	8000 h	10000 h	12000 h	Kap.	Súprava náhradných dielov	Vykoná
	60 Hz					1600 h	3200 h	4800 h	6400 h	8000 h	9600 h			
Kontrola činnosti výrobu	x											19.2	-	obsluha
Vypustiť kondenzát zo vzdušníka <sup>b)</sup> - Pri vysokej vlhkosti vzduchu - Vyliať zachytený kondenzát z fľaše <sup>d)</sup>	x											19.5	-	obsluha
Vypustiť kondenzát zo vzdušníka <sup>b)</sup> - Pri bežnej vlhkosti vzduchu		x										19.5	-	obsluha
Kontrola funkcie výrobu		x										9	-	obsluha
Kontrola tesnosti spojov a kontrolná prehliadka zariadenia				x								19.3	-	obsluha
Kontrola elektrických spojov				x								19.4	-	obsluha
Kontrola chladiča a ventilátora				x								19.9	-	obsluha
Výmena filtračnej vložky filtra sušiča				x								19.8	025200304-000	kvalif. odborník
Kontrola poistného ventilu				x								19.6	-	kvalif. odborník
Výmena vstupného filtra agregátu DK50 Plus <sup>a)</sup>					x			x				19.7	025200126-000	kvalif. odborník
Výmena vstupného filtra agregátu DK50 2V <sup>a)</sup>					x			x				19.7	025200139-000 025200150-000	kvalif. odborník
Vykonať „Opakovanú skúšku“ podľa EN 62353														

<sup>a)</sup> platí údaj v hodinách, ak nie je dostupný, potom platí údaj v rokoch

<sup>b)</sup> platí len pre kompresor bez sušiča

<sup>c)</sup> Pri prevedení kompresora 60 Hz sa časový interval v hodinách skráti o 20 %

(2000h./1600h., 4000h./3200h., 6000h./4800h., 8000h./6400h., 10000h./8000h., 12000h./9600h.)

<sup>d)</sup> platí len pre kompresor so sušičom

### 19.2. Kontrola činnosti

- Kontrolovať stav agregátov – agregáty musia mať rovnomerný chod, bez vibrácií, primeranú hlučnosť. V prípade negatívneho výsledku hľadať príčinu stavu alebo volať servis.
- Kontrolovať činnosti ventilátorov (zrakom) – ventilátory musia byť v činnosti v čase, keď sú v činnosti agregáty. V prípade negatívneho výsledku hľadať príčinu stavu alebo volať servis.
- Kontrolovať neporušenosť prívodného kábla, pneumatických hadíc. Poškodené diely vymeniť alebo volať servis.
- Kontrola teploty okolia – teplota okolia musí byť pod povolenou teplotou (40°C). V prípade vyššej teploty zlepšiť chladenie v miestnosti.
- Pri kompresore so sušičom vzduchu - na fľaši na kondenzát uvoľniť zátku a vyliat kondenzát.

### 19.3. Kontrola tesnosti pneumatických spojov a kontrolná prehliadka zariadenia

#### Kontrola tesnosti:

- Kontrolu tesnosti pneumatických rozvodov kompresora vykonať počas činnosti – tlakovania kompresora.
- Analyzátorom netesností alebo mydlovou vodou kontrolovať tesnosť spojov. Ak je indikovaná netesnosť, spoj je potrebné dotiahnuť, prípadne spoj utesniť.

#### Prehliadka zariadenia:

- Skontrolovať stav agregátu kompresora - rovnomernosť chodu, primeraná hlučnosť.
- Kontrola činnosti ventilátorov - ventilátory musia byť v činnosti v predpísaných cykloch činnosti kompresora.
- Kontrola funkcie teplotného spínača (B2) – teplotný spínač zahriať na teplotu vyššiu ako 40°C (napr. teplotnou pištoľou – Pozor, nepôsobiť vysokou teplotou na plastové diely v okolí, môže dôjsť k deformácii plastov). Po dosiahnutí teploty 40°C sa uvedie do činnosti ventilátor EV1 (aj EV2, v prípade kompresora so sušičom) – kompresor musí byť pod napätím.
- Skontrolovať stav filtrov – filtre musia byť bez poškodenia a primerane čisté
- Skontrolovať stav samotného agregátu skontrolovať, či nie sú nečistoty v kľukovej skrini, príp. vôľa na kľukovom hriadeli

V prípade zistených nedostatkov, chybné súčiastky vymeniť.

### 19.4. Kontrola elektrických spojov



**Kontrolu elektrických spojov výrobku vykonávať pri odpojenom sieťovom napätí!**

#### Kontrola

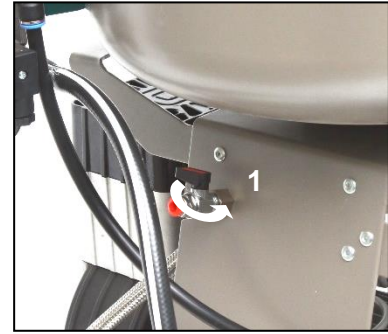
- Skontrolovať mechanickú funkčnosť hlavného vypínača.
- Skontrolovať neporušenosť prívodného kábla, pripojenie vodičov.
- Vizualne skontrolovať pripojenie káblov na svorkovnicu.
- Skontrolovať všetky skrutkové spoje ochranného zelenožltého vodiča PE.

### 19.5. Vypustenie kondenzátu

#### Kompresory (Obr. 13)

Pri pravidelnej prevádzke sa odporúča vypustiť kondenzát z tlakovej nádoby. Kompresor vypnúť zo siete a tlak vzduchu v zariadení znížiť na tlak max. 1 bar, napríklad odpustením vzduchu cez pripojené zariadenie. Osadiť hadičku zo základného vybavenia do vypúšťacieho ventilu. Pod hadičku podložiť nádobu a otvorením vypúšťacieho ventilu (1) vypustiť kondenzát z nádrže.

Obr.13



**Vypúšťací ventil otvárať opatrne a postupne. Veľké otvorenie vypúšťacieho ventilu je sprevádzané výrazným akustickým prejavom a nekontrolovaným vystreknutím nahromadeného kondenzátu.**

Kompresory bez sušiča je možné vybaviť Automatickým odvodom kondenzátu (AOK), ktorý zabezpečí odvádzanie kondenzátu bez zásahu obsluhy (pozri kap. 8.2.).

#### Kompresory so sušičom vzduchu (Obr.14)

Pri kompresore so sušičom vzduchu sa kondenzát automaticky vylučuje do fľaše. Fľašu je potrebné pravidelne vyprázdňovať.

Obr.14



**Kontrolovať naplnenie nádoby po značku (podľa objemu 1l /2l nádoby) a vyprázdniť najneskôr raz za deň. V prípade nedodržania intervalu vylievania nádoby môže dôjsť k pretečeniu nádoby.**



**Riziko pošmyknutia na vlhkej podlahe v prípade pretečenia nádoby.**



**PRED NASLEDOVNÝMI KONTROLAMI JE POTREBNÉ:**

**Pri kompresore so skrinkou - odistiť zámok na dverách a otvoriť dvere skrinky:**

### 19.6. Kontrola poistného ventilu

(Obr. 15)

Pri prvom uvedení kompresora do prevádzky treba skontrolovať správnu funkciu poistného ventilu. Skrutku (2) poistného ventilu (1) otočiť niekoľko otáčok doľava kým vzduch cez poistný ventil nevyfúkne. Poistný ventil nechať len krátko voľne vyfúknuť. Skrutku (2) otáčať doprava až na doraz, ventil musí byť teraz opäť zatvorený.

Obr.15



**Poistný ventil sa nesmie používať na odtlakovanie vzdušníka. Môže to ohroziť funkciu poistného ventilu. U výrobcu je nastavený na povolený maximálny tlak, je preskúšaný a označený. Nesmie sa prestavovať!**



**POZOR! STLAČENÝ VZDUCH JE NEBEZPEČNÝ PRE RIZIKO POŠKODENIA ZRAKU! NEBEZPEČENSTVO POŠKODENIA ZRAKU**



### 19.7. Výmena vstupného filtra a predfiltra

(Obr. 16)

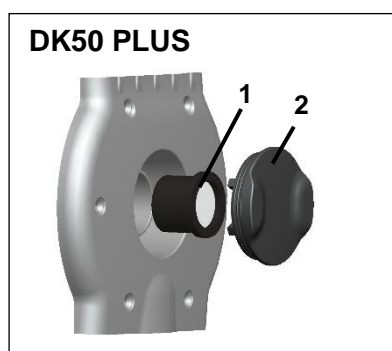
Vo veku kľukovej skrine kompresora sa nachádza vstupný filter (1).

Výmena vstupného filtra:

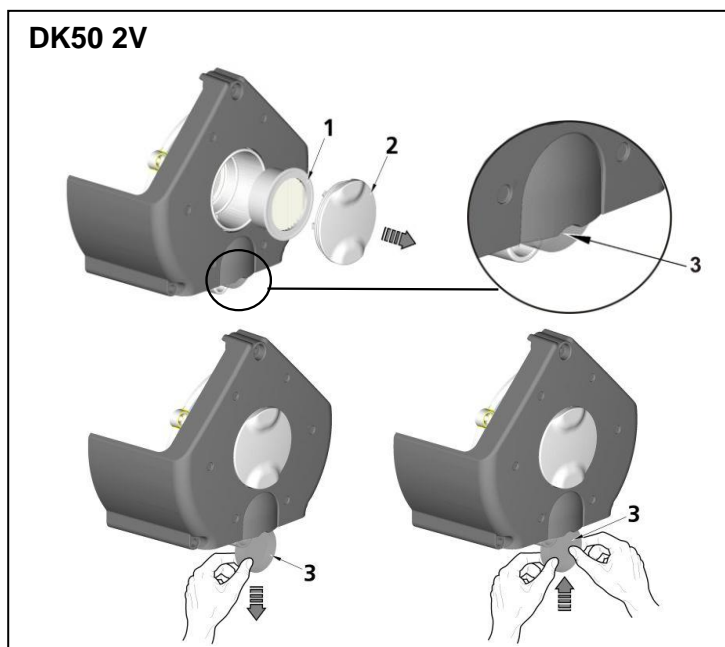
- Rukou vytiahnuť gumenú zátku (2).
- Použitý a znečistený filter (1) vybrať.
- Vložiť nový filter a nasadiť gumenú zátku.

Výmena predfiltra:

- Rukou vytiahnuť predfilter (3).
- Vymeniť za nový a vložiť späť.



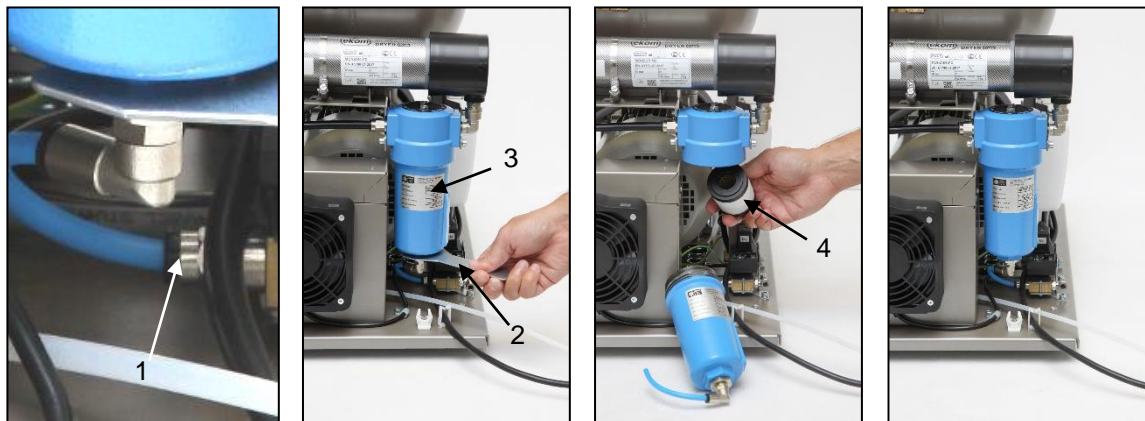
Obr.16



### 19.8. Výmena filtračnej vložky vo filtri

(Obr.17)

- Vytiahnuť hadičku (1) z rýchlospojky.
- Kľúčom (2) povoliť nádobku filtra (3) a demontovať.
- Filtračnú vložku (4) demontovať jej vytiahnutím smerom dolu.
- Vložiť novú vložku .
- Nasadiť nádobku filtra.
- Kľúčom jemne dotiahnuť nádobku filtra.
- Osadiť hadičku späť do rýchlospojky.



Obr. 17

**19.9. Kontrola chladiča a ventilátora (Obr.2)**

Aby bolo sušenie účinné, je treba udržiavať celé zariadenie a najmä ventilátor kompresora, ventilátor chladiča (21) a chladič (14) v čistote. Odsať alebo stlačeným vzduchom odstrániť usadený prach z povrchu chladiacich rebier a ventilátorov.

**19.10. Čistenie a dezinfekcia vonkajších plôch výrobku**

Na čistenie a dezinfekciu vonkajších plôch výrobku používať neutrálne prostriedky.



**Používanie agresívnych čistiacich a dezinfekčných prostriedkov obsahujúcich alkohol a chloridy môže viesť k poškodeniu povrchu a zmeny farby výrobku.**

**VYHLÁDÁVANIE PORÚCH A ICH ODSTRÁNENIE**

**Pred zásahom do zariadenia je potrebné znížiť tlak vzduchu vo vzdušníku na nulu a odpojiť zariadenie od elektrickej siete.**

Aby sa zachovala trvalá účinnosť sušenia, je treba udržiavať celé zariadenie a najmä ventilátor chladiča v čistote – občas odsať / vyfúkať z povrchu chladiacich rebier usadený prach.

Činnosti súvisiace s odstraňovaním porúch môže vykonávať len kvalifikovaný odborník servisnej služby.



**Dodržať pravidlá osobnej hygieny pre prácu s kontaminovaným materiálom. Oddeliť, označiť, zabaliť a zabezpečiť dekontamináciu kontaminovaných častí v zmysle národných predpisov.**

PORUCHA	MOŽNÁ PRÍČINA	SPÔSOB ODSTRÁNENIA
Kompresor sa nerozbíha	V tlakovom spínači nie je napätie  Prerušené vinutie motora, poškodená tepelná ochrana Chybný kondenzátor Zadretý piest alebo iná rotačná časť Naspína tlakový spínač	Kontrola napätia v zásuvke Kontrola stavu ističného vypínača - uviesť do stavu zapnuté „I“ Uvoľnený vodič zo svorky - opraviť Kontrola elektrickej šnúry –chybnú vymeniť Motor vymeniť, resp. previnúť vinutie  Kondenzátor vymeniť Poškodené časti vymeniť Skontrolovať funkciu tlakového spínača
Kompresor spína často	Únik vzduchu z pneumatického rozvodu Netesnosť spätného ventilu (SV)  V tlakovej nádobe je väčšie množstvo skondenzovanej kvapaliny Nízka výkonnosť kompresora	Kontrola pneumatického rozvodu – uvoľnený spoj utesniť SV vyčistiť, vymeniť tesnenia, vymeniť SV Vypustiť skondenzovanú kvapalinu  Kontrola času naplnenia vzdušníka

Nízky tlak vo vzdušníku (kompresor je v činnosti trvale)	Vysoká spotreba vzduchu spotrebičom, Netesnosti v pneumatickom rozvode, Nízka výkonnosť agregátu Porucha agregátu Porucha sušiča	Zníženie spotreby vzduchu Použitie výkonnejšieho kompresora Kontrola pneumatického rozvodu – netesné spoje utesniť Oprava / výmena agregátu Oprava / výmena agregátu Výmena sušiča
Chod kompresora sa predlžuje	Únik vzduchu z pneumatického rozvodu Opotrebený piestny krúžok Znečistený vstupný filter Nesprávna funkcia solenoidného ventilu	Kontrola pneumatického rozvodu – uvoľnený spoj utesniť Opotrebený piestny krúžok vymeniť Znečistený filter nahradiť novým Opraviť alebo vymeniť ventil alebo cievku
Kompresor je hlučný (klepanie, kovové zvuky)	Poškodené ložisko piesta, ojnice, ložisko motora Uvoľnený (prasknutý) tlmiaci člen (pružina)	Poškodené ložisko vymeniť  Poškodenú pružinu nahradiť
Odsávačka nepracuje, pracuje nepravidelne	Na svorkovnici odsávačky nie je napätie	Kontrola napätia v zásuvke Kontrola poistky - chybnú vymeniť Uvoľnená svorka - dotiahnuť Kontrola elektrickej šnúry - chybnú vymeniť Prekontrolovať prítomnosť ovládacieho napätia
	Iná, mechanická závada odsávačky	Poškodené ložisko, poškodené obežné koleso odsávačky - volať servisné stredisko
	Prehriatie odsávačky (vypnutá tepelná ochrana)	Kontrola funkčnosti ventilátora skrinky – nefunkčný vymeniť Kontrola priechodnosti sacieho a výfukového traktu – (zalomenia hadice a cudzie predmety odstrániť )
Odsávačka neodsáva, alebo len slaboo, motor pracuje	Netesnosti v sacom trakte, cudzí predmet v sacom potrubí, upchatý výfukový trakt	Prekontrolovať spoje na sacom trakte, netesné spoje utesniť, odstrániť cudzí predmet
Sušič nesuší (vo vzduchu sa objavuje kondenzát ) *	Nefunkčný ventilátor chladiča	Ventilátor vymeniť Preveriť prívod elektrickej energie
	Poškodený sušič	Vymeniť sušič
	Nefunkčný automatický odvod kondenzátu	Vyčistiť / vymeniť

)\* Po poruche sušiča je nutné dôkladne vyčistiť vnútorný povrch vzdušníka a skondenzovanú kvapalinu dokonale odstrániť.

**Skontrolovať vlhkosť vypúšťaného vzduchu zo vzdušníka (pozri kap. 7 - Technické údaje) na zabezpečenie ochrany pripojeného zariadenia pred poškodením!**

## 20. INFORMÁCIE O OPRAVÁRENSKEJ SLUŽBE

Záručné a mimozáručné opravy zabezpečuje výrobca alebo organizácie a opravárske osoby, o ktorých informuje dodávateľ.

*Upozornenie !*

Výrobca si vyhradzuje právo vykonať na výrobku zmeny, ktoré však neovplyvnia podstatné vlastnosti prístroja.

## 21. ODSTAVENIE

V prípade, že sa kompresor nebude dlhší čas používať, odporúča sa vypustiť kondenzát z tlakovej nádrže a kompresor uviesť do prevádzky asi na 10 minút s otvoreným ventilom na vypúšťanie kondenzátu (1) (Obr.13 ). Potom kompresor vypnúť vypínačom (2) na tlakovom spínači (1) (Obr.12), zatvoriť ventil na vypúšťanie kondenzátu a odpojiť zariadenie od elektrickej siete.

## 22. LIKVIDÁCIA PRÍSTROJA

- Odpojiť zariadenie od elektrickej siete.
- Vypustiť tlak vzduchu v tlakovej nádrži otvorením ventilu na vypúšťanie kondenzátu (1). (Obr.13)
- Dodržať pravidlá osobnej hygieny pre prácu s kontaminovaným materiálom.
- Oddeliť, označiť, zabaliť a zabezpečiť dekontamináciu kontaminovaných častí v zmysle národných predpisov.
- Zariadenie zlikvidovať podľa miestne platných predpisov.
- Triedenie a likvidáciu odpadu zadať špecializovanej organizácii.
- Časti výrobku po skončení jeho životnosti nemajú negatívny vplyv na životné prostredie.



**Vnútorne časti odsávačky môžu byť v dôsledku nesprávneho používania kontaminované biologickým materiálom. Pred triedením a likvidáciou odovzdať špecializovanej organizácii na dekontaminovanie.**

**OBSAH**

<b>DŮLEŽITÉ INFORMACE .....</b>	<b>242</b>
1. SHODA S POŽADAVKY SMĚRNIC EVROPSKÉ UNIE .....	242
2. URČENÉ POUŽITÍ .....	242
3. KONTRAINDIKACE A VEDLEJŠÍ ÚČINKY .....	242
4. UPOZORNĚNÍ A SYMBOLY .....	242
5. UPOZORNĚNÍ .....	243
6. PODMÍNKY SKLADOVÁNÍ A PŘEPRAVY .....	245
7. TECHNICKÉ ÚDAJE .....	246
8. POPIS VÝROBKU .....	253
9. FUNKCE VÝROBKU .....	256
10. PNEUMATICKÉ SCHÉMA .....	260
<b>INSTALACE .....</b>	<b>261</b>
11. PODMÍNKY POUŽITÍ .....	261
12. UMÍSTĚNÍ KOMPRESORU .....	262
13. PNEUMATICKÉ PŘIPOJENÍ .....	263
14. ELEKTRICKÉ ZAPOJENÍ .....	267
15. SCHÉMA ZAPOJENÍ .....	269
<b>OBSLUHA .....</b>	<b>271</b>
16. PRVNÍ UVEDENÍ DO PROVOZU .....	271
17. ZAPNUTÍ KOMPRESORU .....	272
18. VYPNUTÍ KOMPRESORU .....	272
<b>ÚDRŽBA .....</b>	<b>273</b>
19. ÚDRŽBA VÝROBKU .....	273
<b>VYHLEDÁVÁNÍ PORUCH A JEJICH ODSTRANĚNÍ .....</b>	<b>278</b>
20. INFORMACE O SERVISU .....	280
21. Odstavení z provozu .....	280
22. LIKVIDACE ZAŘÍZENÍ .....	280
<b>PŘÍLOHA .....</b>	<b>281</b>
23. ZÁZNAM O INSTALACI .....	287

## DŮLEŽITÉ INFORMACE

### 1. SHODA S POŽADAVKY SMĚRNIC EVROPSKÉ UNIE

Tento výrobek je ve shodě s požadavky směrnic MDD 93/42/EHS a při dodržení všech bezpečnostních pokynů je pro určené použití bezpečný.

### 2. URČENÉ POUŽITÍ

Kompresor a sací jednotka se používají jako zdroj čistého, stlačeného a vzduchu zbaveného oleje, který slouží k pohonu a chlazení pneumatických zařízení, například stomatologických souprav, a jako zdroj podtlaku pro sací systémy. Zařízení lze používat se všemi typy stomatologických souprav vybavených sacím blokem.



**Vzduch kompresoru není bez jeho další úpravy vhodný pro připojení k přístrojům pro umělou ventilaci plic.**

Jakékoliv použití výrobku nad rámec určeného použití se považuje za nesprávné. Výrobce nemůže nést odpovědnost za jakékoli škody nebo zranění způsobené nesprávným použitím.

### 3. KONTRAINDIKACE A VEDLEJŠÍ ÚČINKY

Nejsou známy žádné kontraindikace ani vedlejší účinky.

### 4. UPOZORNĚNÍ A SYMBOLY

V návodu k použití, na obalech a na výrobku se pro zvlášť důležité údaje používají následující názvy a symboly:



Všeobecné upozornění



Výstraha



Pozor, nebezpečí úrazu elektrickým proudem



Přečtěte si návod k použití



Dodržujte návod k použití!



Značka CE



Kompresor je ovládán automaticky a může se spustit bez výstrahy.



Pozor! Horký povrch.



Připojení ochranného vodiče

	Svorka pro ekvipotenciální pospojování
	Manipulační značka na obalu – KŘEHKÉ
	Manipulační značka na obalu – TÍMTO SMĚREM NAHORU
	Manipulační značka na obalu – CHRAŇTE PŘED DEŠTĚM
	Manipulační značka na obalu – TEPLOTNÍ OMEZENÍ
	Manipulační značka na obalu – OMEZENÉ STOHOVÁNÍ
	Značka na obalu – RECYKLOVATELNÝ MATERIÁL
	Výrobce
	Nebezpečí biologické kontaminace

## 5. UPOZORNĚNÍ

Výrobek je navržen a vyroben tak, aby byl při stanoveném způsobu používání bezpečný pro uživatele i pro jeho okolí. Proto je zapotřebí se řídit následujícími upozorněními.

### 5.1. Všeobecná upozornění

**NÁVOD K POUŽITÍ SI PŘED POUŽITÍM PEČLIVĚ PŘEČTĚTE A USCHOVEJTE PRO BUDOUCÍ POUŽITÍ!**

- Tato uživatelská příručka obsahuje pokyny pro správnou montáž, používání a údržbu výrobku. Po pečlivém prostudování této příručky získáte informace potřebné ke správnému používání výrobku v souladu s jeho určeným použitím.
- Ponechejte si originální obal pro případné vrácení výrobku. Náležitou ochranu zařízení při přepravě umožní pouze originální obal. Pokud budete nezbytně výrobek vrátit během záruční doby, pak výrobce nenese odpovědnost za škody způsobené jeho nesprávným zabalením.
- Tato záruka se nevztahuje na škody vyplývající z používání příslušenství jinak než způsobem předepsaným nebo doporučeným výrobcem.
- Výrobce poskytuje záruku na bezpečnost, spolehlivost a funkčnost zařízení, pouze pokud:
  - montáž, nová nastavení, změny, rozšíření a opravy provede výrobce nebo organizace schválená výrobcem,
  - je zařízení používáno v souladu s uživatelskou příručkou.

- Uživatelská příručka odpovídá konfiguraci výrobku a je v souladu s bezpečnostními a technickými normami platnými v době jejího tisku. Výrobce si vyhrazuje veškerá práva na ochranu svých konfigurací, metod a názvů.
- Překlad této příručky byl zajištěn dle nejlepšího svědomí a vědomí. V případě jakýchkoliv nejasností je rozhodující znění slovenské verze.
- Návod k použití je původní, překlad je vyhotoven v souladu s nejlepšími znalostmi.

## 5.2. Všeobecná bezpečnostní upozornění

Výrobce navrhl a vyrobil výrobek tak, aby bylo při správném používání podle určení minimalizováno jakékoli nebezpečí. Výrobce považuje za svou povinnost uvést následující všeobecná bezpečnostní opatření.

- Při provozu výrobku je nutné respektovat zákony a místní předpisy platné v místě použití. V zájmu bezpečného průběhu práce jsou za dodržování předpisů odpovědní provozovatel a uživatel.
- Bezpečnost obsluhujícího personálu a bezporuchový provoz výrobku jsou zaručeny pouze při používání originálních částí výrobku. Používejte pouze příslušenství a náhradní díly uvedené v technické dokumentaci nebo vysloveně povolené výrobcem.
- Před každým použitím výrobku je nutné, aby se uživatel přesvědčil o řádné funkci a bezpečném stavu výrobku.
- Uživatel musí být obeznámen s obsluhou přístroje.
- Výrobek není určen pro provoz v prostorách, kde hrozí nebezpečí výbuchu.
- Pokud v přímé souvislosti s provozem přístroje dojde k nežádoucí události, uživatel je povinen o této události bezodkladně informovat svého dodavatele.

## 5.3. Bezpečnostní upozornění k ochraně před elektrickým proudem

- Zařízení může být připojeno pouze k řádně nainstalované zásuvce s ochranným připojením.
- Před připojením výrobku je třeba zkontrolovat, zda hodnoty síťového napětí a síťového kmitočtu uvedené na výrobku odpovídají hodnotám napájecí sítě.
- Před uvedením výrobku do provozu je třeba zkontrolovat případné poškození připojovaných vzduchových a elektrických rozvodů. Poškozená pneumatická a elektrická vedení je nutné okamžitě vyměnit.
- Při nebezpečných situacích nebo technických poruchách je nutné výrobek ihned odpojit od sítě (vytáhnout síťovou zástrčku).
- Před zahájením jakýchkoli prací souvisejících s opravami a údržbou proveďte následující:
  - vytáhněte síťovou zástrčku ze zásuvky
  - vypusťte tlak z tlakové nádrže a odvzdušněte tlakové potrubí
- Instalaci výrobku smí provádět pouze kvalifikovaný odborník.



## 6. PODMÍNKY SKLADOVÁNÍ A PŘEPRAVY

Kompresor je ze závodu zasílán v přepravním obalu. Tento obal chrání výrobek před poškozením při přepravě.



**Je-li to možné, používejte při přepravě kompresoru vždy originální obal. Kompresor přepravujte nastojato, vždy zajištěný přepravním upevněním.**



Během přepravy a skladování chraňte kompresor před vlhkostí, nečistotami a extrémními teplotami. Kompresory v originálním obalu lze skladovat v teplých, suchých a bezprašných prostorech. Neskladujte v prostorech společně s chemickými látkami.



Je-li to možné, obalový materiál uschovejte. Pokud to možné není, zlikvidujte obalový materiál v souladu se zásadami ochrany životního prostředí. Přepravní kartón lze přidat ke starému papíru.



**Kompresor se smí přepravovat pouze bez tlaku. Před přepravou je nezbytně nutné vypustit tlak vzduchu z tlakové nádrže a tlakových hadic a vypustit kondenzát ze vzdušníku.**



**Zařízení je zakázáno skladovat a přepravovat mimo definované podmínky, viz níže.**

### Podmínky okolí při skladování a přepravě

Výrobky je možné skladovat v prostorách a dopravních prostředcích beze stop těkavých chemických látek za následujících podmínek:

Teplota: -25 °C až +55 °C, 24 h až +70 °C

Relativní vlhkost vzduchu: 10 % až 90 % (bez kondenzace)

## 7. TECHNICKÉ ÚDAJE

Kompresory jsou konstruovány pro prostředí suchých a větraných vnitřních prostor za následujících podmínek:

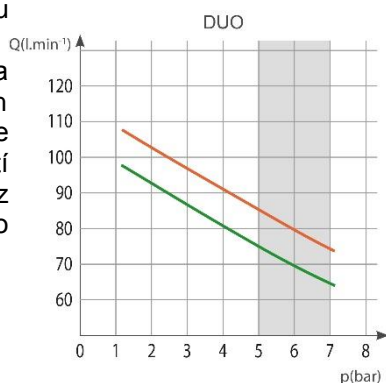
Teplota: +5 °C až +40 °C  
 Max. relativní vlhkost: 70 %  
 Max. absolutní vlhkost: 15 g/m<sup>33</sup>

Tab.1

		DUO	DUO/M
Kompresor 5 – 7 bar		DK50 PLUS	DK50 PLUS/M
Sací jednotka		1	1
Jmenovité napětí / frekvence (*)	V / Hz	230 / 50 230 / 60	230 / 50 230 / 60
Výkon při přetlaku 5 bar	Lit.min <sup>-1</sup>	75 85	58 68
Pracovní tlak (**)	bar	5,0 – 7,0	5,0 – 7,0
Kapacita sací jednotky při 5 kPa	Lit.min <sup>-1</sup>	800	800
Podtlak odsávačky max.	kPa	12	12
Max. proud	A	6,9 7,9	7,1 8
Výkon motoru kompresoru	kW	0,55	0,55
Objem vzdušníku	Lit.	25	25
Kvalita vzduchu – filtrace	µm	-	0,3
Přípustný provozní tlak pojistného ventilu	bar	8,0	8,0
Hladina zvuku při přetlaku 5 bar	LpFA [dB]	≤47 ≤50	≤47 ≤50
Provozní režim		S1-100%	S1-100%
Stupeň sušení - PDP při tlaku 7 bar		-	≤ +3°C
Čas naplnění vzdušníku z 0 na 6 bar	s	123 105	157 128
Rozměry (netto) š x h x v	mm	560x684x1251	560x684x1251
Hmotnost netto (***)	kg	114	119
Klasifikace podle ČSN EN 60601-1		Třída I	

Poznámky:

- (\*) Provedení kompresoru uveďte při objednávce
- (\*\*) Jiný rozsah tlaku je třeba konzultovat s dodavatelem
- (\*\*\*) Hmotnost (váha) je informativní údaj, platí pouze pro výrobek bez jakéhokoli doplňkového vybavení



## DUO, DUO 2V, DUO 2

Tab. 2

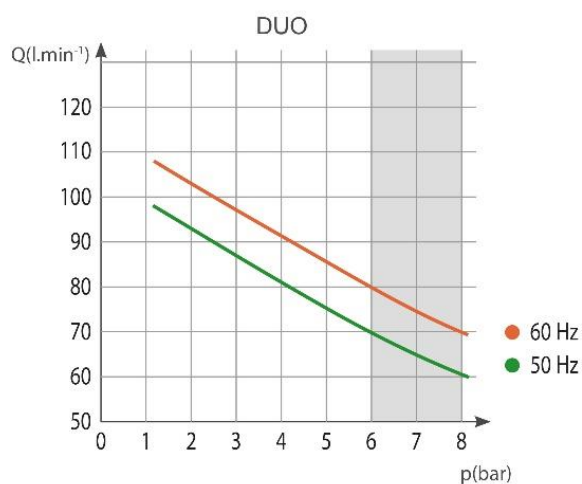
		DUO	DUO/M
Kompresor 6 – 8 bar		DK50 PLUS	DK50 PLUS/M
Sací jednotka		1	1
Jmenovité napětí, frekvence (*)	V / Hz	230 / 50 230 / 60	230 / 50 230 / 60
Výkon kompresoru při přetlaku 6 bar	Lit.min <sup>-1</sup>	70 80	60 70
Pracovní tlak kompresoru (**)	bar	6,0 – 8,0	6,0 – 8,0
Kapacita sací jednotky při 5 kPa	Lit.min <sup>-1</sup>	800	800
Podtlak odsávačky max.	kPa	12	12
Max. proud	A	7 8	7,2 8,1
Výkon motoru kompresoru	kW	0,55	0,55
Objem vzdušníku	Lit.	25	25
Kvalita vzduchu – filtrace	μm	-	0,3
Přípustný provozní tlak pojistného ventilu	bar	11,0	11,0
Hladina zvuku při přetlaku 5 bar	LpA [dB]	≤47 ≤50	≤47 ≤50
Provozní režim		S1-100%	S1-100%
Stupeň sušení - PDP při tlaku 7 bar		-	≤ +3°C
Čas naplnění vzdušníku z 0 na 7 bar	s	149 126	198 159
Rozměry netto š x h x v	mm	560x684x1251	560x684x1251
Hmotnost netto (***)	kg	114	119
Klasifikace podle ČSN EN 60601-1		Třída I	

Poznámky:

(\*) Provedení kompresoru uveďte při objednávce

(\*\*) Jiný rozsah tlaku je třeba konzultovat s dodavatelem

(\*\*\*) Hmotnost (váha) je informativní údaj, platí pouze pro výrobek bez jakéhokoli doplňkového vybavení



Tab.3

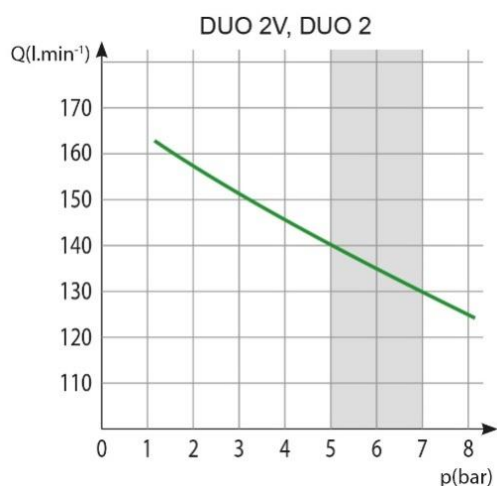
		DUO 2V	DUO 2V/M	DUO 2	DUO 2/M
Kompresor 5 – 7 bar		DK50 2V	DK50 2V/M	DK50 2V	DK50 2V/M
Sací jednotka		1	1	2	2
Jmenovité napětí / frekvence (*)	V / Hz	230 / 50 230 / 60	230 / 50 230 / 60	230 / 50 230 / 60	230 / 50 230 / 60
Výkon při přetlaku 5 bar	Lit.min <sup>-1</sup>	140	108	140	108
Pracovní tlak (**)	bar	5,0 – 7,0	5,0 – 7,0	5,0 – 7,0	5,0 – 7,0
Kapacita sací jednotky při 5 kPa	Lit.min <sup>-1</sup>	800	800	2x800	2x800
Podtlak odsávačky max.	kPa	12	12	12	12
Max. proud	A	11,5 12,5	11,7 12,7	14,5 15,4	14,6 15,6
Výkon motoru kompresoru	kW	1,2	1,2	1,2	1,2
Objem vzdušníku	Lit.	25	25	25	25
Kvalita vzduchu – filtrace	µm	-	0,3	-	0,3
Přípustný provozní tlak pojistného ventilu	bar	8,0	8,0	8,0	8,0
Hladina zvuku při přetlaku 5 bar	Lp <sub>fA</sub> [dB]	≤ 51,5	≤ 55,0	≤ 51,5	≤ 55,0
Provozní režim		S1-100%	S1-100%	S1-100%	S1-100%
Stupeň sušení - PDP při tlaku 7 bar		-	≤ +3°C	-	≤ +3°C
Čas naplnění vzdušníku z 0 na 6 bar	s	52	65	52	65
Rozměry (netto) š x h x v	mm	560x684x1251	560x684x1251	560x684x1251	560x684x1251
Hmotnost netto (***)	kg	121	126	133	138
Klasifikace podle ČSN EN 60601-1	Třída I				

Poznámky:

(\*) Provedení kompresoru uveďte při objednávce

(\*\*) Jiný rozsah tlaku je třeba konzultovat s dodavatelem

(\*\*\*) Hmotnost (váha) je informativní údaj, platí pouze pro výrobek bez jakéhokoli doplňkového vybavení



Tab. 4

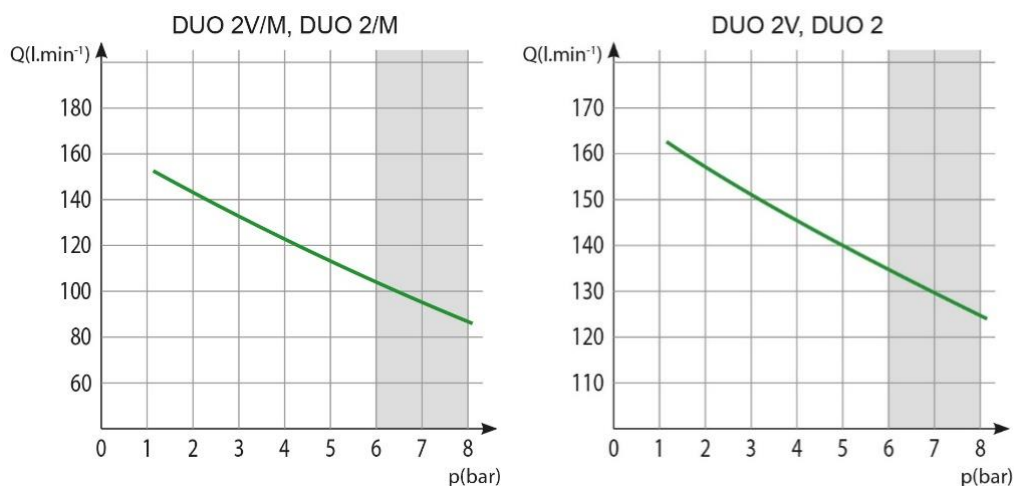
		DUO 2V	DUO 2V/M	DUO 2	DUO 2
Kompresor 6 – 8 bar		DK50 2V	DK50 2V/M	DK50 2V	DK50 2V/M
Sací jednotka		1	1	2	2
Jmenovité napětí, frekvence (*)	V / Hz	230 / 50 230 / 60	230 / 50 230 / 60	230 / 50 230 / 60	230 / 50 230 / 60
Výkon kompresoru při přetlaku 6 bar	Lit.min <sup>-1</sup>	135	104	135	104
Pracovní tlak kompresoru (**)	bar	6,0 – 8,0	6,0 – 8,0	6,0 – 8,0	6,0 – 8,0
Kapacita sací jednotky při 5 kPa	Lit.min <sup>-1</sup>	800	800	2x800	2x800
Podtlak odsávačky max	kPa	12	12	12	12
Max. proud	A	11,8 12,5	12,0 12,7	14,8 15,4	15,0 15,6
Výkon motoru kompresoru	kW	1,2	1,2	1,2	1,2
Objem vzdušníku	Lit.	25	25	25	25
Kvalita vzduchu – filtrace	μm	-	0,3	-	0,3
Přípustný provozní tlak pojistného ventilu	bar	11,0	11,0	11,0	11,0
Hladina zvuku při přetlaku 5 bar	Lp fA [dB]	≤ 51,5	≤ 55,0	≤ 51,5	≤ 55,0
Provozní režim		S1-100%	S1-100%	S1-100%	S1-100%
Stupeň sušení - PDP při tlaku 7 bar		-	≤ +3°C	-	≤ +3°C
Čas naplnění vzdušníku z 0 na 7 bar	s	61	78	61	78
Rozměry netto š x h x v	mm	560x684x1251	560x684x1251	560x684x1251	560x684x1251
Hmotnost netto (***)	kg	121	126	133	138
Klasifikace podle ČSN EN 60601-1		Třída I			

Poznámky:

(\*) Provedení kompresoru uveďte při objednávce

(\*\*) Jiný rozsah tlaku je třeba konzultovat s dodavatelem

(\*\*\*) Hmotnost (váha) je informativní údaj, platí pouze pro výrobek bez jakéhokoli doplňkového vybavení



### 7.1. Korekce FAD výkonnosti podle nadmořské výšky

#### Korekční tabulka FAD

Nadm. výška [m n. m.]	0 - 1500	1501 - 2500	2501 - 3500	3501 - 4500
FAD [l/min]	FAD × 1	FAD × 0,8	FAD × 0,71	FAD × 0,60

FAD výkon („Free Air Delivery“) se vztahuje k následujícím podmínkám:

Nadmořská výška: 0 m.n.m.

Teplota: 20 °C

Atmosférický tlak: 101325 Pa

Relativní vlhkost: 0 %

### 7.2. Prohlášení k elektromagnetické kompatibilitě

Přístroj vyžaduje speciální obezřetnost týkající se elektromagnetické kompatibility (EMC) a vyžaduje instalaci a uvedení do provozu v souladu s EMC informacemi uvedenými níže.

#### Návod a prohlášení výrobce - elektromagnetická vyzařování

Podle IEC 60601-1-2: 2014 - Zdravotnické elektrické přístroje. Část 1-2: Všeobecné požadavky na základní bezpečnost a nezbytnou funkčnost. Skupinová norma: Elektromagnetické rušení

Přístroj je určen pro použití v elektromagnetickém prostředí specifikovaném níže. Zákazník nebo uživatel by měly zajistit, aby byl přístroj používán v takovém prostředí.

Zkouška vyzařování	Shoda	Elektromagnetické prostředí - návod
RF vyzařování CISPR 11	Skupina 1	Přístroj využívá RF energii pouze pro svoji interní funkci. Proto jsou RF emise velmi nízké a pravděpodobně nezpůsobí rušení blízkých elektronických zařízení.
RF vyzařování CISPR 11	Třída B	Přístroj je vhodný pro použití ve všech institucích, včetně domácností a těch objektů, jež jsou přímo připojeny k veřejné nízkonapěťové napájecí síti, která zásobuje budovy používané pro účely bydlení.
Harmonická vyzařování IEC 61000-3-2	Třída A	
Kolísání napětí / blikavé vyzařování IEC 61000-3-3	Přístroj pravděpodobně nebude způsobovat blikavé vyzařování, protože proud po spuštění je přibližně konstantní.	

### Návod a prohlášení výrobce - elektromagnetická odolnost

Podle IEC 60601-1-2: 2014 - Zdravotnické elektrické přístroje. Část 1-2: Všeobecné požadavky na základní bezpečnost a nezbytné provozní vlastnosti. Skupinová norma: Elektromagnetické rušení

Přístroj je určen pro použití v elektromagnetickém prostředí specifikovaném níže. Zákazník nebo uživatel by měly zajistit, aby byl přístroj používán v takovém prostředí.


Zkouška odolnosti	Zkušební úroveň IEC 60601-1-2	Vyhovující úroveň	Elektromagnetické prostředí - návod
Elektrostatický výboj (ESD) dle IEC 61000-4-2	±8 kV kontakt ±15 kV vzduch	±8 kV kontakt ±15 kV vzduch	Podlaha by měla být dřevěná, betonová nebo keramická. Pokud je podlaha pokryta syntetickým materiálem, musí být relativní vlhkost vzduchu alespoň 30%.
Rychlé elektrické přechodné jevy / skupiny impulzů IEC 61000-4-4	± 2 kV u napájecích vedení ± 1 kV u vstupního / výstupního vedení	± 2 kV 100 kHz frekvence opakování Připojené na síť	Jakost napájecí sítě by měla být taková, jenž je typická pro komerční nebo nemocniční prostředí.
Rázový impulz IEC 61000-4-5	± 1 kV rozdílový režim ± 2 kV společný režim	± 1 kV L-N ± 2 kV L-PE; N-PE Připojené na síť	Jakost napájecí sítě by měla být taková, jenž je typická pro komerční nebo nemocniční prostředí.
Pokles napětí, krátké přerušení a změny napětí na vstupních elektrických rozvodech IEC 60601-4-11	UT = 0%, 0,5 cyklu (Při 0, 45, 90, 135, 180, 225, 270 a 315 °)  UT = 0%, 1 cyklus  UT = 70% 25/30 cyklů (při 0 °)  UT = 0%, 250/300 cyklů	UT => 95%, 0,5 cyklu (Při 0, 45, 90, 135, 180, 225, 270 a 315 °)  UT => 95%, 1 cyklus  UT = 70% (30% pokles UT), 25 (50Hz) / 30 (60Hz) cyklů (při 0 °)  UT => 95%, 250 (50Hz) / 300 (60Hz) cyklů	Jakost napájecí sítě by měla být taková, jenž je typická pro komerční nebo nemocniční prostředí.  Přístroj se automaticky zastaví a restartuje při každém poklesu napětí. V tomto případě nedochází k nepřijatelnému poklesu tlaku.
Magnetické pole síťového kmitočtu (50/60 Hz) podle IEC 61000-4-8	30 A/m	30 A/m	Magnetické pole síťového kmitočtu by měla odpovídat typickým hodnotám, které se nacházejí v komerčním nebo nemocničním prostředí.

POZNÁMKA: UT je AC síťové napájení před aplikací zkušební úrovně.

### Návod a prohlášení výrobce - elektromagnetická odolnost

Podle IEC 60601-1-2: 2014 - Zdravotnické elektrické přístroje. Část 1-2: Všeobecné požadavky na základní bezpečnost a nezbytné provozní vlastnosti. Skupinová norma: Elektromagnetické rušení

Přístroj je určen pro použití v elektromagnetickém prostředí specifikovaném níže. Zákazník nebo uživatel by měly zajistit, aby byl přístroj používán v takovém prostředí.

Zkouška odolnosti	Zkušební úroveň IEC 60601-1-2	Vyhovující úroveň	Elektromagnetické prostředí - návod
Vedený vysoký kmitočet IEC 61000-4-6	3 Vrms 150 kHz až 80MHz	3 Vrms	Přenosné a mobilní vysokofrekvenční sdělovací zařízení se nemají používat blíže jakékoliv části přístroje včetně kabelů, než je doporučená oddělovací vzdálenost vypočtená pomocí rovnice vhodné pro kmitočet vysílače. <b>Doporučená oddělovací vzdálenost</b> $d=1,2\sqrt{P}$  $d=1,2\sqrt{P}$ , 80 MHz až 800 MHz  $d=2,3\sqrt{P}$ , 800 MHz až 2,7 GHz
Vyzařovaný vysoký kmitočet IEC 61000-4-3	3 V/m 80 MHz až 2,7 GHz	3 V/m	kde P je maximální jmenovitý výstupní výkon vysílače ve wattch (W) podle údajů výrobce vysílače a d je doporučená oddělovací vzdálenost v metrech (m).
Blízké pole od RF bezdrátových komunikačních přístrojů IEC 61000-4-3	9 až 28 V/m 15 určených frekvencí (380 až 5800 MHz)	9 až 28 V/m 15 určených frekvencí (380 až 5800 MHz)	Intenzity pole ze stálých vysokofrekvenčních vysílačů, určené přehledem elektromagnetické charakteristiky daného místa <sup>a</sup> , by měla být v každém kmitočtovém rozsahu <sup>b</sup> nižší než vyhovující úroveň. V okolí přístroje označeného následující značkou může dojít k rušení: 

POZNÁMKA 1 Při 80 MHz a 800 MHz platí vyšší kmitočtový rozsah.

POZNÁMKA 2 Tento návod nemusí platit ve všech situacích. Šíření elektromagnetického vlnění je ovlivněno pohlcováním a odrazem od staveb, předmětů a lidí.

<sup>a</sup> Intenzity pole ze stálých vysílačů, jako jsou základnové stanice u rádiových (buňkových/bezšňůrových) telefonů a pozemních mobilních i amatérských radiostanic, u AM a FM rádiového a televizního vysílání, nemohou být přesně teoreticky předpovídaný. K posouzení elektromagnetického prostředí pro stálé vysokofrekvenční vysílače by měl být zvážěn přehled o elektromagnetické charakteristice v místě. Pokud naměřená intenzita pole na místě, na kterém je přístroj používán, překročí výše uvedenou příslušnou vysokofrekvenční vyhovující úroveň, je třeba přístroj pozorovat, aby bylo možné ověřit jeho normální provoz. Neobvyklé chování si může vyžádat dodatečná opatření, např. jiné nasměrování nebo přemístění přístroje.

<sup>b</sup> V celém kmitočtovém rozsahu od 150 kHz do 80 MHz by intenzita pole měla být nižší než 3 V/m.



## DUO, DUO 2V, DUO 2

### 8. POPIS VÝROBKU

#### 8.1. Provedení

Kompresory se vyrábí podle účelu v následujících provedeních:

<b>DUO</b>	Tento model je určen k použití pro stomatologické soupravy vybavené sacím blokem, a je určen k montáži přímo v ordinaci
<b>DUO 2</b>	Zařízení je použitelné pro typy dentálních souprav, které jsou vybaveny odsávacím blokem. Jsou vhodné pro dvě dentální soupravy – dvě pracovní místa
<b>DUO 2V</b>	Zařízení je použitelné pro typy dentálních souprav, které jsou vybaveny odsávacím blokem. Jsou vhodné pro soupravy s vyšší spotřebou tlakového vzduchu
<b>DUO/M</b>	Zařízení je stejné jako DUO, ale vybavené membránovým sušičem
<b>DUO 2V/M</b>	Zařízení je stejné jako DUO 2V, ale vybavené membránovým sušičem
<b>DUO 2/M</b>	Zařízení je stejné jako DUO 2, ale vybavené membránovým sušičem



**DUO**



**DUO 2V**



**DUO 2**

#### 8.2. Doplnkové vybavení

Doplnkové vybavení není předmětem základní dodávky, je nutno je objednat zvlášť.

##### 8.2.1. Automatický odvod kondenzátu

Automatický odvod kondenzátu (AOK) zajišťuje automatické vypouštění zkondenzované kapaliny v nastaveném časovém intervalu ze vzdušníku kompresoru. Je vhodné doplnit AOK ke kompresoru bez sušiče.

Typ	Použití	Číslo sady
AOK 11	DK50 PLUS DK50 2V	447000001-047

### 8.2.2. Sada regulátoru tlaku

Kompresor může být dle požadavku vybaven sadou regulátoru tlaku výstupního stlačeného vzduchu. Regulátor zajistí konstantní tlak na výstupu z kompresoru. Sady regulátoru jsou vhodné pro uvedené kompresory.

Typ	Použití	Číslo sady
REG11	DK50 PLUS, DK50 PLUS/M DK50 2V, DK50 2V/M	447000001-077

### 8.2.3. Sada filtrů

Kompresor může být dle požadavku vybaven sadou filtrů výstupního stlačeného vzduchu. Sada filtrů může obsahovat i regulátor tlaku. Sady filtrů jsou vhodné pro uvedené kompresory.

POZNÁMKA: Případný požadavek na jiný stupeň filtrace vzduchu musí být dohodnut předem s dodavatelem a specifikován v rámci objednávky.

Typ	Použití	Stupeň filtrace / $\mu\text{m}$ /	Regulátor tlaku	Číslo sady
FS 30FR	DK50 PLUS DK50 2V	5	ano	447000001-079
FS 30M		5 + 0,3	ne	447000001-080
FS 30MR		5 + 0,3	ano	447000001-081
FS 30S		5 + 0,3 + 0,01	ne	447000001-082
FS 30SR		5 + 0,3 + 0,01	ano	447000001-083
FS 31S	DK50 PLUS/M DK50 2V/M	0,3 + 0,01	ne	447000001-086
FS 31SR		0,3 + 0,01	ano	447000001-087
FS 31SR2		0,01	ano	447000001-130

### 8.2.4. Kondenzační a filtrační jednotka

Kompresor může být dodatečně vybaven i kondenzační a filtrační jednotkou (KJF-1, KJF-2 nebo KJFR-1).

KJF-1, KJF-2 nebo KJFR-1, která zajistí, že stlačený vzduch ze vzdušníku bude ochlazen v chladiči a ve filtru zachytí zkondenzovanou kapalinu, kterou automaticky odloučí mimo pneumatický rozvod. Stlačený vzduch se zároveň filtruje.

Typ	Použití	Stupeň filtrace/ $\mu\text{m}$ /	Regulátor tlaku	Číslo sady
KJF-1	DK50 PLUS	5	ne	450001011-001
KJFR-1			ano	450001011-002
KJF-2	DK50 2V		ne	450001021-001

### 8.2.5. Tlumič hluku

Tlumič hluku, který může být s filtrem nebo bez něj, tlumí „pískavý“ zvuk vydávaný oběžným kolem sacího čerpadla. Celková úroveň tlumení hluku během provozu sací jednotky je až 4 dB.

- Tlumič hluku s filtrem – jednotka je opatřena bakteriologickým filtrem, který umožňuje montáž přímo v ordinaci.
- Nástěnný tlumič hluku – specificky určený pro nástěnnou montáž.
- Nástěnný tlumič hluku s filtrem – specificky určený pro nástěnnou montáž a vybavený bakteriologickým filtrem.

**DUO, DUO 2V, DUO 2**

Typ	Varianta	Použití	Číslo sady
DS2	Nástěnná montáž, bez bakteriologického filtru	DUO, DUO 2V, DUO2	451000Z01-004
DS2	Nástěnná montáž, s bakteriologickým filtrem		451000Z01-005
DS4	S bakteriologickým filtrem	DUO,DUO 2V	451000Z01-006
DS5	S bakteriologickým filtrem	DUO2	451000Z01-007
DS6	Bez bakteriologického filtru	DUO,DUO 2V	451000Z01-008
DS7	Bez bakteriologického filtru	DUO2	451000Z01-009

**8.2.6. Zásuvka pro ekvipotenciální pospojování**

Zásuvka umožňuje ochranné pospojování. (Obr. 10)

Typ	Použití	Název	Artikl
POAG- KBT6-EC	DUO, DUO 2V, DUO2	Zásuvka	033400075-000
FLEXI-S/POAG-HK6		Vodič (1 m)	034110083-000

## 9. FUNKCE VÝROBKU

### Kompresor se sací jednotkou (Obr. 1)

Agregát kompresoru (1) nasává atmosférický vzduch přes vstupní filtr (8) a stlačuje ho přes zpětný ventil (3) do vzdušníku (2) a spotřebič odebírá stlačený vzduch ze vzdušníku. Pokud tlak ve vzdušniku klesne na zapínací tlak, tlakový spínač (4) zapne kompresor a kompresor stlačí vzduch do vzdušníku až po vypínací tlak, kdy se kompresor vypne. Po vypnutí kompresorového agregátu se odzdušní tlaková hadice přes odlehčovací solenoidový ventil (13). Pojistný ventil (5) zamezuje překročení tlaku ve vzdušniku nad maximální povolenou hodnotu. Vypouštěcím ventilem (7) se vypouští kondenzát ze vzdušníku. Stlačený a čistý vzduch beze stop oleje je ve vzdušniku připraven pro další použití. Ze vzdušníku je zapotřebí v předepsaných intervalech vypouštět zkondenzovanou kapalinu (viz kap. 19.1).

Sací agregát (36) (dva agregáty v případě DUO2) odsává vzduch, čímž vytváří podtlak v sacích potrubích, která jsou připojena k zařízení, a slouží jako zdroj podtlaku pro odstraňování cizích částic v oblasti výkonu lékařského zásahu. Vzduch je následně odváděn skrz výfukové potrubí mimo oblast výkonu lékařského zásahu.

### Kompresor se sací jednotkou a membránovým sušičem (Obr. 2)

Agregát kompresoru (1) nasává atmosférický vzduch přes vstupní filtr (8) a stlačený ho dodává chladičem (14) přes filtr (15), zpětní ventil (3) do sušiče (9) a vysušený a čistý do vzdušníku (2). Část vzduchu odchází mimo sušič spolu se zachycenou vlhkostí, což se projeví jako jemné proudění vzduchu kolem tělesa sušiče (9). Kondenzát z filtru se automaticky v intervalech vypouští do láhve pomocí solenoidového ventilu pro odvod kondenzátu (16). Sušič zajistí kontinuální sušení stlačeného vzduchu. Vypouštěcím ventilem (7) se vypouští kondenzát ze vzdušníku v případě kontroly sušení. Stlačený, suchý a čistý vzduch beze stop oleje je ve vzdušniku připraven pro další použití.

Pro optimální provoz membránového sušiče je sušič spojen se vzdušníkem přímo bez zpětného ventilu. Jelikož membránový sušič obsahuje vlákna se selektivní membránou, dochází přes ně k malému úniku vzduchu (přibližně 0,5 bar / 30 min).

Proto postupný pomalý pokles tlaku je přítomen i ve stavu bez odběru vzduchu z kompresoru (ze vzdušníku) a nepředstavuje poruchu.

Tlakovou nádobu není zapotřebí odkalovat.

Sací agregát (36) (dva agregáty v případě DUO2) odsává vzduch, čímž vytváří podtlak v sacích potrubích, která jsou připojena k zařízení, a slouží jako zdroj podtlaku pro odstraňování cizích částic v oblasti výkonu lékařského zásahu. Vzduch je následně odváděn skrz výfukové potrubí mimo oblast výkonu lékařského zásahu.

### Skříňka kompresoru (Obr. 3)

Skříňka zajišťuje kompaktní zakrytí kompresoru, čímž účinně tlumí hluk a zároveň zajišťuje dostatečnou výměnu chladicího vzduchu. Svým designem je vhodná pro umístění v ordinaci jako součást nábytku. Ventilátor pod agregátem kompresoru zajišťuje chlazení kompresoru, je v provozu současně s motorem kompresoru anebo po zapnutí teplotního spínače při teplotě větší než 40 °C. Po ochlazení prostoru skříňky na méně než 32 °C se ventilátory automaticky vypnou.

Dveře skříňky s otvíráním vpravo je možné změnit na otvíráním vlevo (viz kap. 12.2).



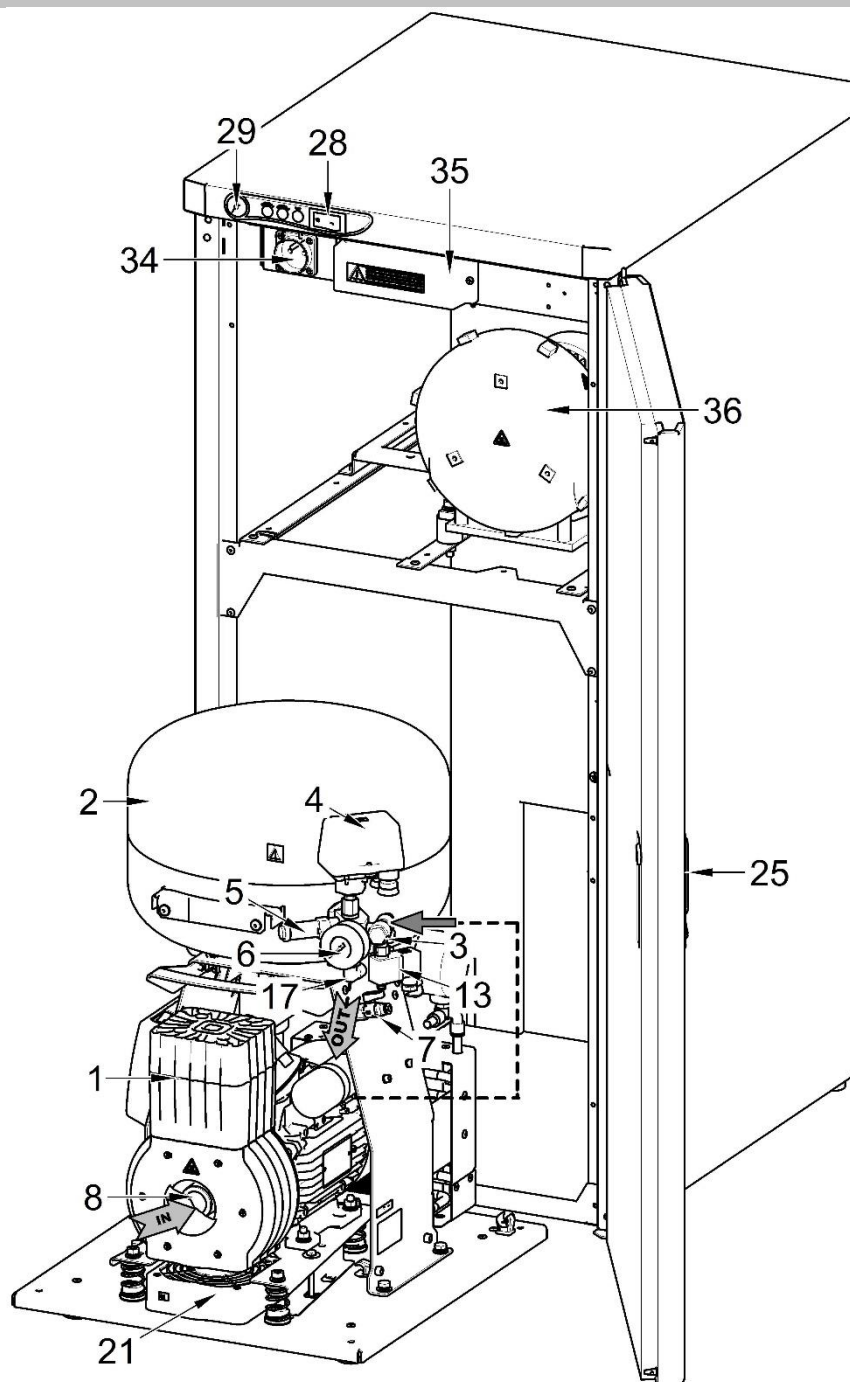
**Je zakázáno vytvářet překážky pro vstup chladicího vzduchu do skříňky (po obvodu spodní části skříňky) a na výstupu teplého vzduchu v horní zadní části skříňky.**



**V případě umístění kompresoru na měkkou podlahu, například koberec, je nutné vytvořit mezeru mezi základnou a podlahou nebo skříňkou a podlahou, například podložení patek tvrdými podložkami kvůli zajištění dostatečného chlazení kompresoru.**

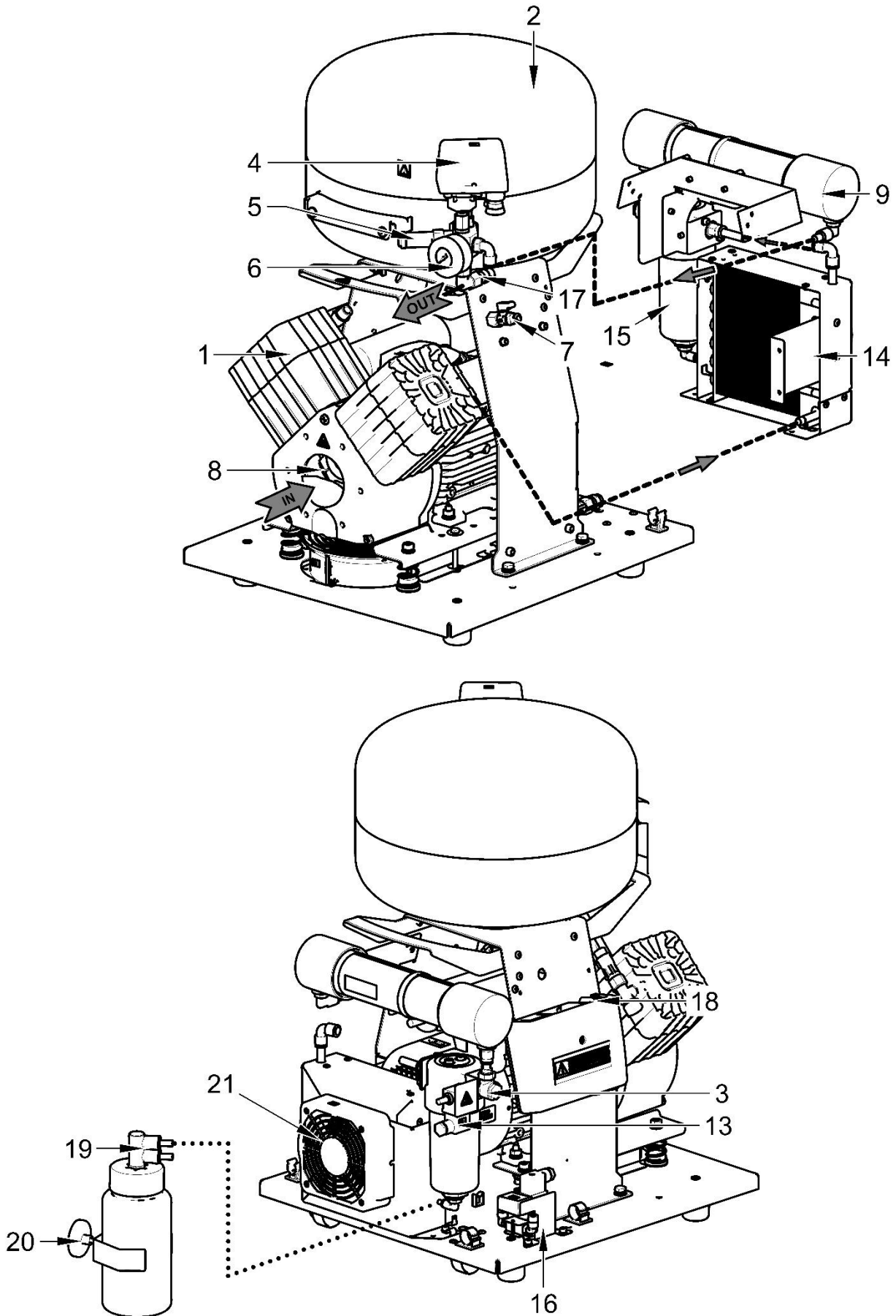
Obr. 1 - DUO - Kompressor se sací jednotkou

Popis k obrázkům 1- 3



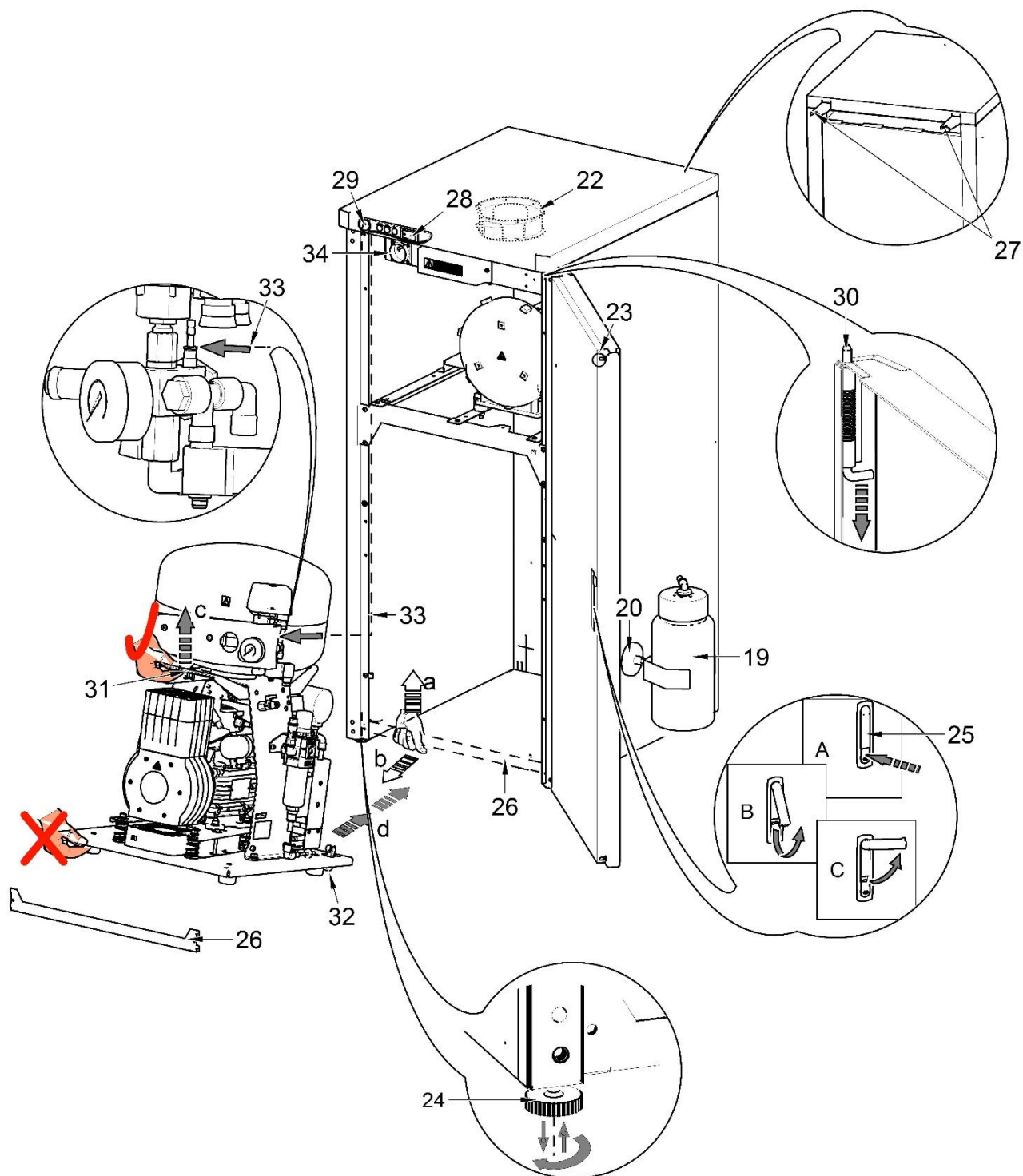
- 1 Agregát kompresoru
- 2 Vzdušník
- 3 Zpětný ventil
- 4 Tlakový spínač
- 5 Pojistný ventil
- 6 Tlakoměr
- 7 Vypouštěcí ventil
- 8 Vstupní filtr
- 9 Sušič
- 10 -
- 11 -
- 12 -
- 13 Solenoidový ventil
- 14 Chladič sušiče
- 15 Filtr
- 16 Solenoidový ventil pro odvod kondenzátu
- 17 Výstup vzduchu
- 18 Jisticí vypínač
- 19 Nádoba
- 20 Magnetický držák
- 21 Ventilátor
- 22 Ventilátor skříňky
- 23 Dveřní kolík
- 24 Rektifikační šroub
- 25 Zámek
- 26 Spojovací výztuha
- 27 Doraz na stěnu
- 28 Vypínač
- 29 Manometr
- 30 Dveřní pant
- 31 Madlo
- 32 Kolečka
- 33 Hadička manometru
- 34 Zásuvka
- 35 Spínací blok sací jednotky
- 36 Sací jednotka

Obr.2 - DK50 2V/M - Kompresor s membránovým sušičem



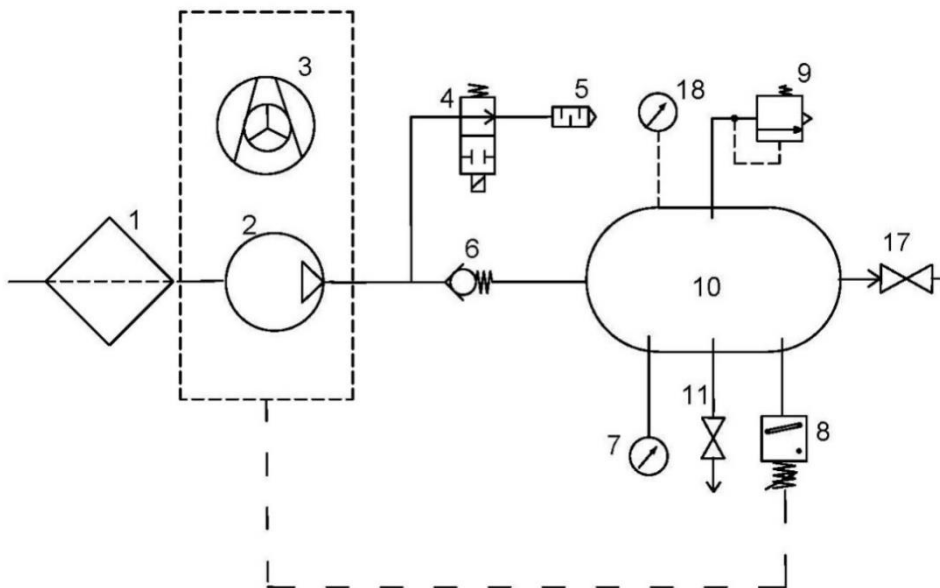
## DUO, DUO 2V, DUO 2

Obr.3 - Skříňka DUO

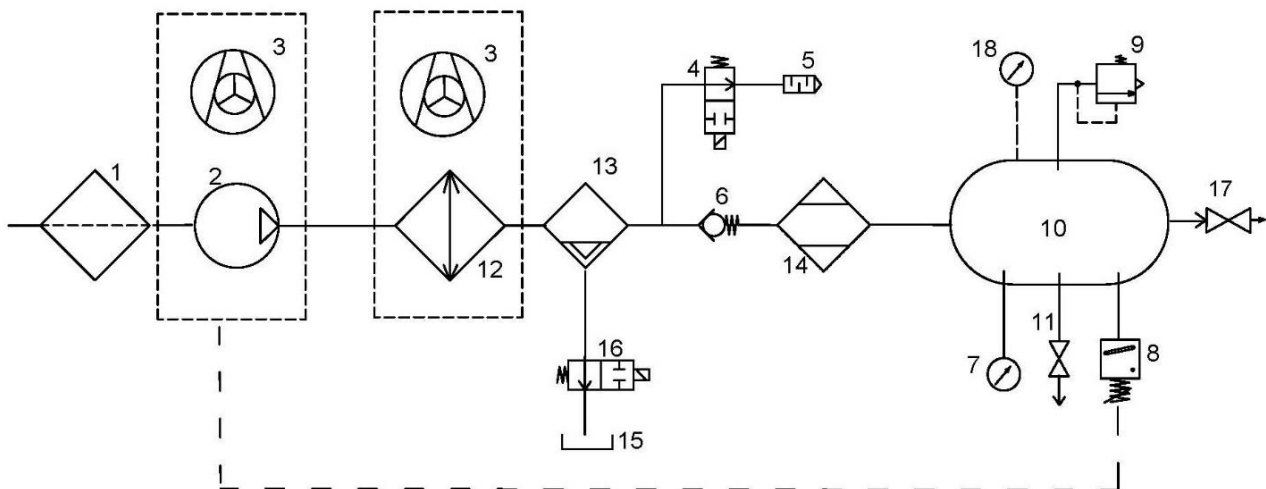


## 10. PNEUMATICKÉ SCHÉMA

## DK50 PLUS, DK50 2V



## DK50 PLUS/M, DK50 2V/M



## Popis k pneumatickým schémam

- |                       |                                             |
|-----------------------|---------------------------------------------|
| 1. Vstupní filtr      | 10. Vzdušník                                |
| 2. Kompresor          | 11. Vypouštěcí ventil                       |
| 3. Ventilátor         | 12. Chladič                                 |
| 4. Odlehčovací ventil | 13. Koalescenční filtr                      |
| 5. Tlumič hluku       | 14. Membránový sušič                        |
| 6. Zpětný ventil      | 15. Nádoba na sběr kondenzátu               |
| 7. Tlakoměr           | 16. Solenoidový ventil pro odvod kondenzátu |
| 8. Tlakový spínač     | 17. Výstupní ventil                         |
| 9. Pojistný ventil    | 18. Tlakoměr skříňky                        |



## INSTALACE

### 11. PODMÍNKY POUŽITÍ

- Zařízení se smí instalovat a provozovat pouze v suchých, dobře větraných a bezprašných prostorách, kde parametry prostředí odpovídají požadavkům uvedeným v kap. 7 Technické údaje. Kompresor se musí instalovat tak, aby byl snadno přístupný pro obsluhu a údržbu a aby byl přístupný výrobní štítek.
- Zařízení musí stát na rovném a dostatečně stabilním podkladu (pozor na hmotnost kompresoru, viz kap.7, Technické údaje).
- Zařízení nesmí být provozovány ve venkovním ani ve vlhkém nebo mokřém prostředí. Je zakázáno používat zařízení v prostorech s výskytem výbušných plynů, prachů nebo hořlavých kapalin.
- Před zabudováním kompresoru do zdravotnických zařízení musí dodavatel posoudit, zda příslušné médium – vzduch vyhovuje požadavkům daného účelu použití. Pro tyto účely dodržujte technické údaje výrobku. Klasifikaci a hodnocení shody má při zabudování provádět výrobce – dodavatel koncového výrobku.
- Jiné použití nebo použití nad tento rámec se nepovažuje za použití podle určení. Výrobce neručí za škody z toho vyplývající. Riziko nese výhradně provozovatel/uživatel.



**Kompresor musí nainstalovat a poprvé uvést do provozu pouze kvalifikovaný odborník. Jeho povinností je zaškolit obsluhující personál o používání a údržbě zařízení. Instalaci a zaškolení obsluhy potvrdí zápisem v dokumentu o instalaci zařízení.**



**Před prvním uvedením do provozu je třeba během přípravy odstranit všechny prvky sloužící k fixaci zařízení – jinak hrozí poškození výrobku.**



**Některé části agregátu a sací jednotky mohou být horké a během provozu kompresoru se mohou zahřát na nebezpečně vysoké teploty, takže při kontaktu mohou pro obsluhu a materiály představovat nebezpečí. Nebezpečí popálení nebo požáru! Pozor! Horký povrch!**

### Podmínky okolí při provozu

<i>Teplota:</i>	+5 °C až +40 °C
<i>Max. relativní vlhkost:</i>	70 %
<i>Max. absolutní vlhkost</i>	15 g/m <sup>3</sup> .

## 12. UMÍSTĚNÍ KOMPRESORU



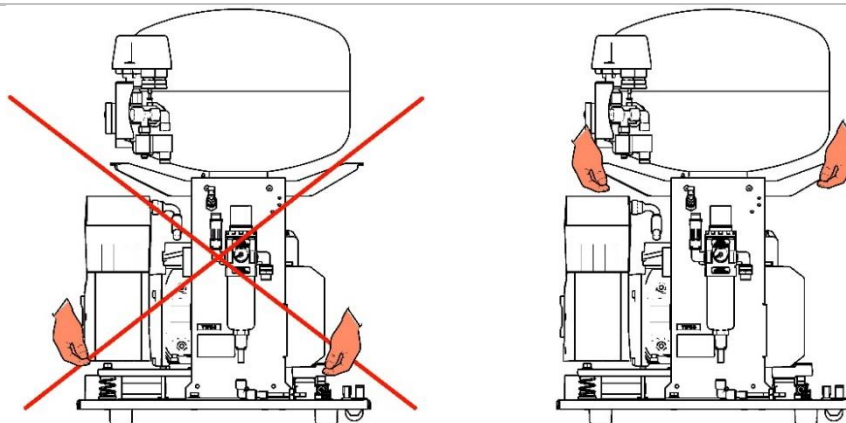
Instalaci výrobku smí provádět pouze vyškolený, kvalifikovaný odborník.

- Vybalte kompresor z obalu.

### 12.1. Manipulace a odjištění

- Ustavte kompresor na místo provozu (Obr. 4)

Obr. 4

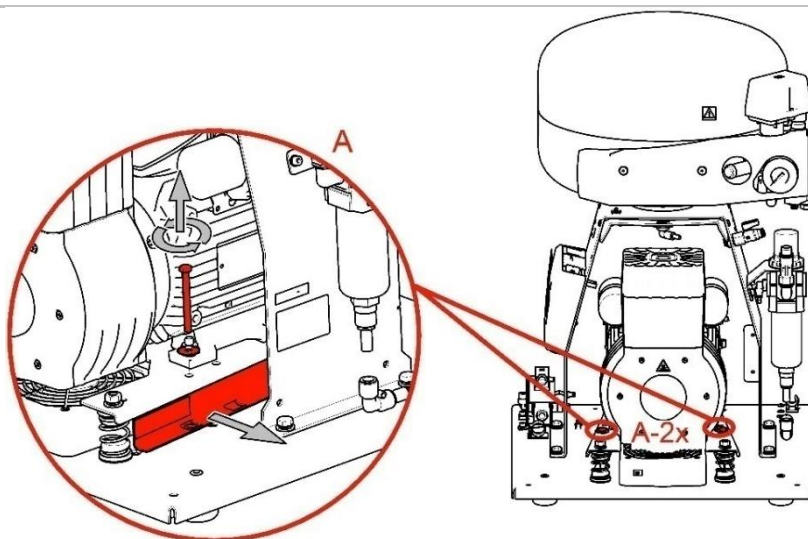


- Odstraňte přepravní zajištění agregátů. (Obr. 5)



Fixační prvky agregátů odstraňte až po ustavení a vyvážení kompresoru na místě konečného uložení!

Obr. 5

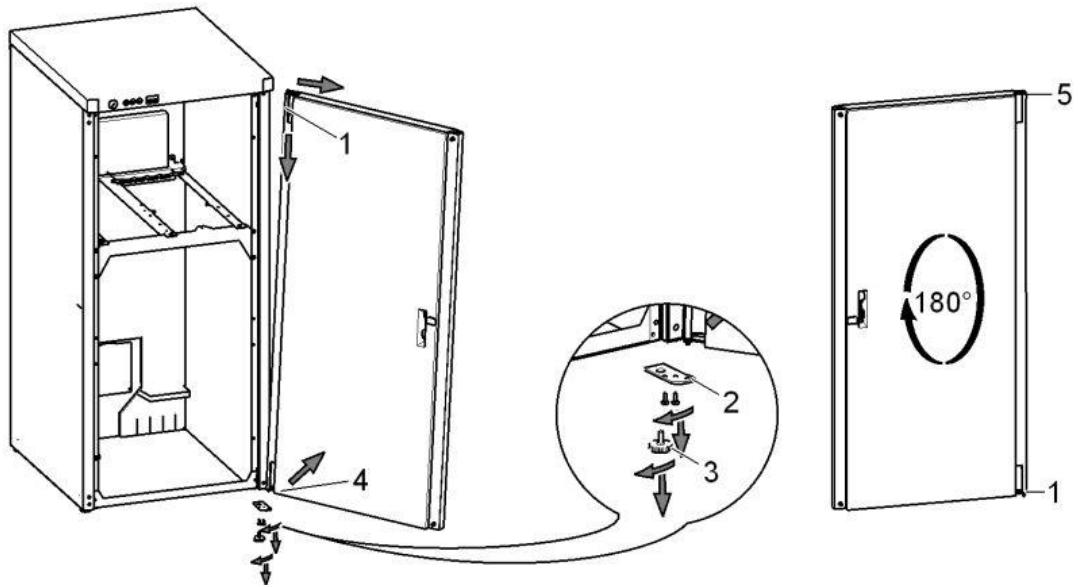


### 12.2. Změna otevírání dveří

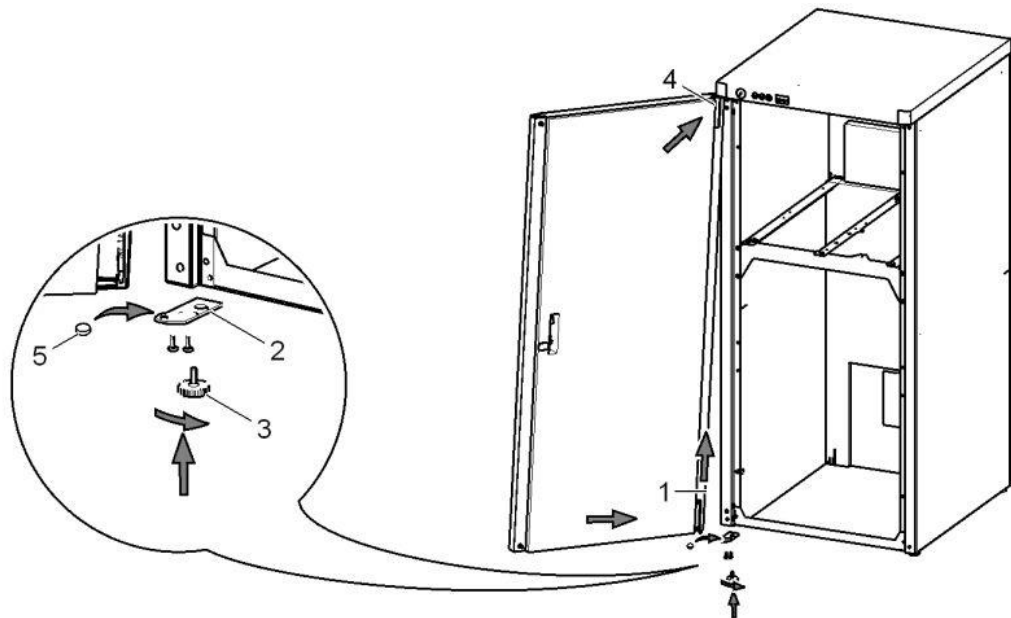
- Odmontujte dveře, rektifikační šroub (3) a držák (2) pantu D (4).
- Držák pantu D (2) namontujte na levou stranu skříňky.
- Otočte dveře o 180°.
- Mezi pant H (1) a spodní stranu dveří vložte distanční podložku (5).
- Namontujte dveře.
- Odmontujte zámek (6) na dveřích a otočte jej o 180°.
- Odmontujte západku (7) a otočte ji o 180°.
- Namontujte zámek.

DUO, DUO 2V, DUO 2

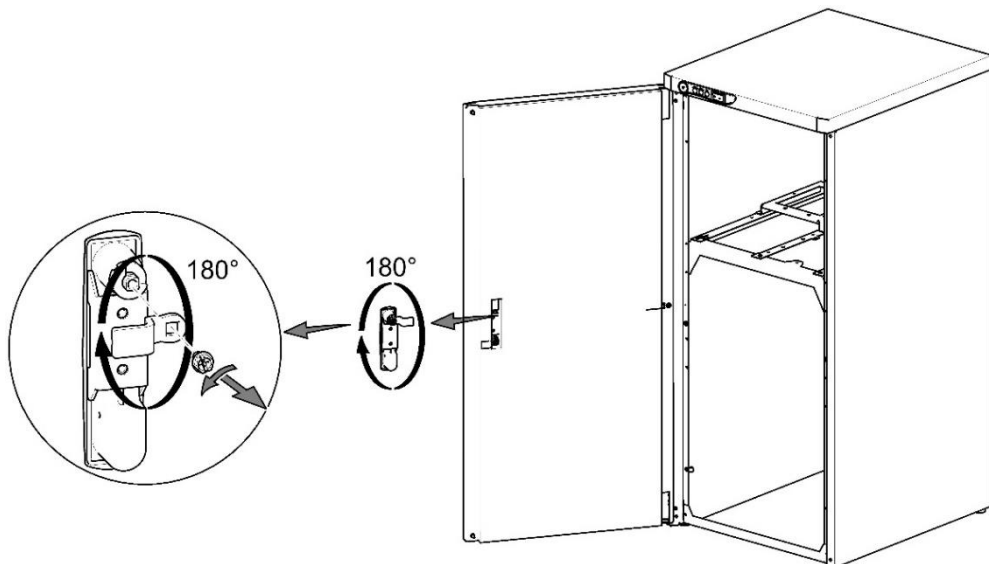
A



B



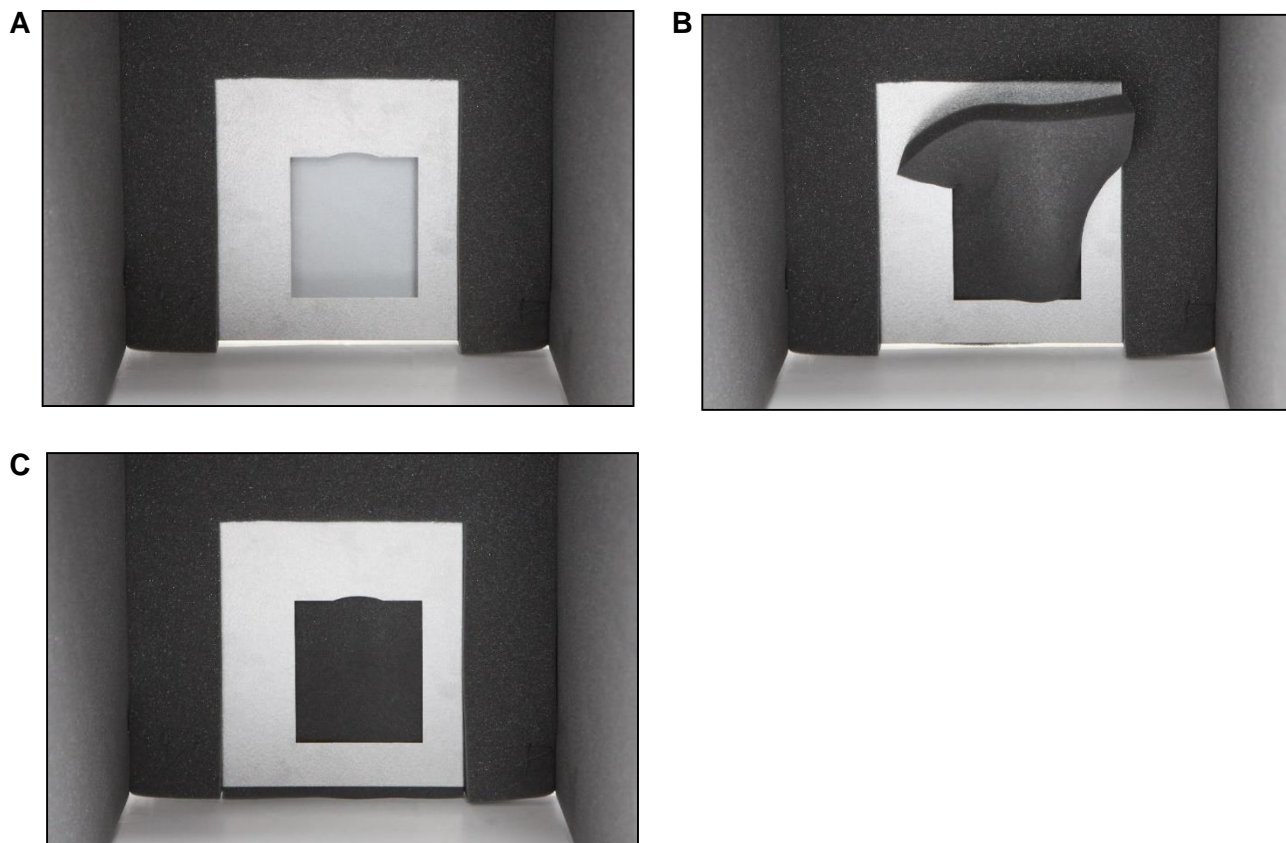
C



### 12.3. Doplnění zvukově izolačního materiálu do skříňky

Do skříňky pro kompresor bez sušiče je nutné do otvoru ve skříňce osadit díl ze zvukově izolačního materiálu.

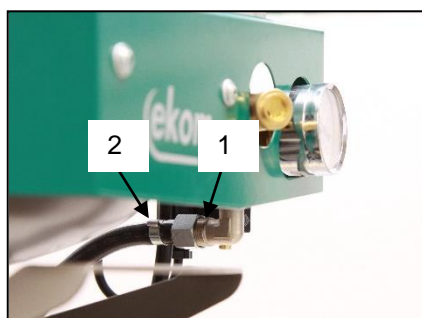
Díl je součástí základního vybavení výrobku.



## 13. PNEUMATICKÉ PŘIPOJENÍ

### 13.1. Připojení k výstupu stlačeného vzduchu (Obr. 6)

Na výstup stlačeného vzduchu (1) kompresoru připojte tlakovou hadici (2). Hadici ved'te k pneumatickému rozvodu nebo přímo ke spotřebiči – stomatologické soupravě.



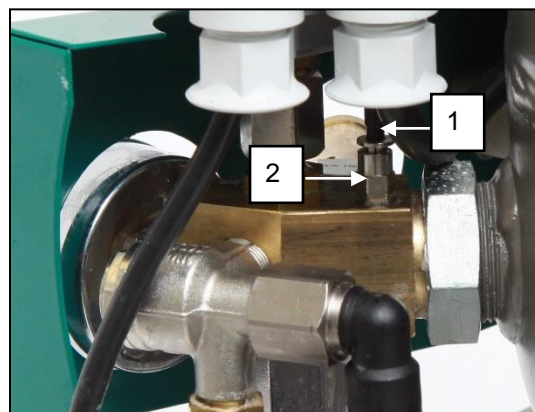
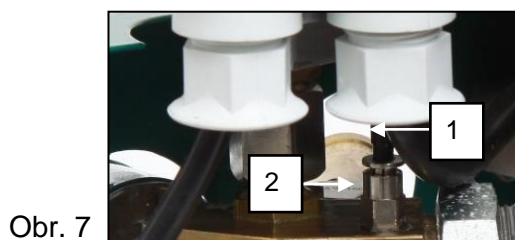
Obr. 6



U kompresoru ve skříňce vyved'te tlakovou hadici přes otvor v zadní stěně skříňky. (Obr. 8)

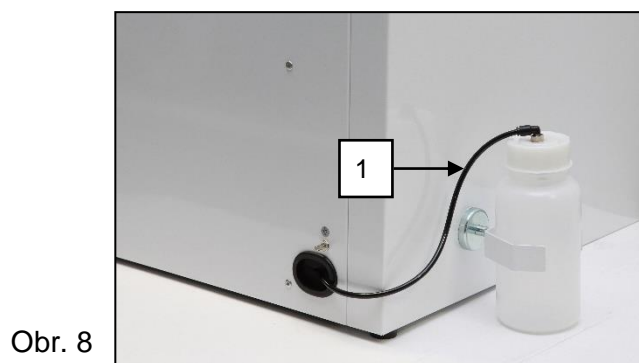
### 13.2. Připojení manometru skříňky ke kompresoru(Obr. 7)

Odstraňte zátku (1) ze šroubení (2) na pneumatickém bloku kompresoru. Hadičku manometru skříňky připojte ke šroubení.



### 13.3. Připojení nádoby na kondenzát(Obr. 8)

- U kompresoru se sušičem ve skříňce vyvedte hadičku (1) přes otvor v zadní stěně skříňky a připojte k nádobě.



### 13.4. Připojka podtlaku

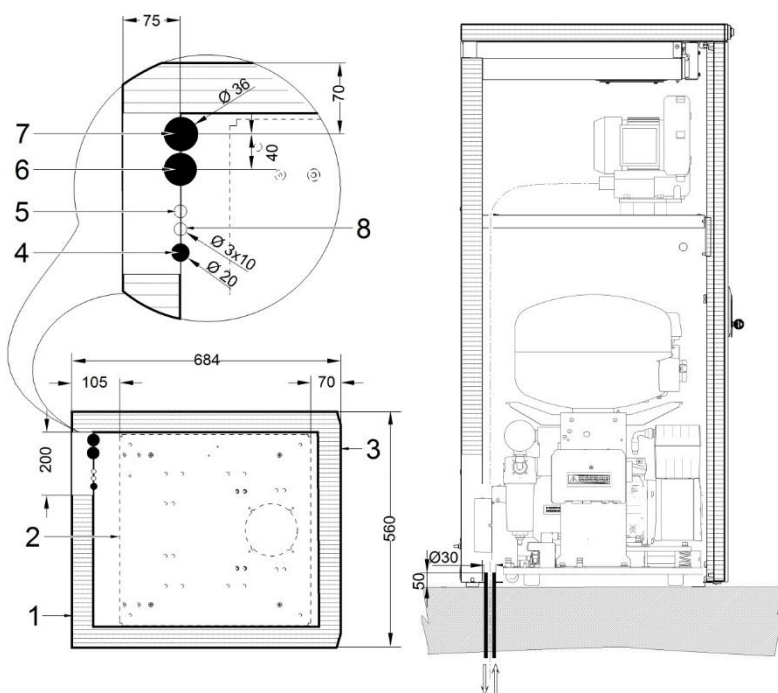
(Obr. 9)

Sací agregát je opatřen sacími a výfukovými hadicemi. Hadice připojené ke vstupu/výstupu a hadice vedoucí ze sacího agregátu jsou vedeny kolem zadní stěny skříně do její spodní části. Sací hadice agregátu lze připojit k potrubí v podlaze, nebo mohou být vyvedeny skrz otvor v zadní stěně skříně (10). Připojte sací hadici k zařízení a výfukovou hadici k potrubí vyvedenému mimo pracovní oblast. K výstupu sací jednotky lze připojit tlumič hluku, který tlumí hluk způsobený vzduchem proudícím hadicemi (viz kapitola 8.2., Příslušenství). Pokud je výfuk vzduchu ze sací jednotky vyveden do vnitřního prostoru, musí být jednotka doplněna o tlumič hluku s bakteriologickým filtrem.



**Riziko biologické kontaminace. Výtlačnou hadici z odsávačky je potřeba vyvést mimo pracovní prostor obsluhy nebo doplnit tlumičem hluku s bakteriologickým filtrem.**

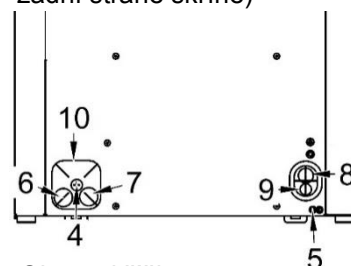
Obr. 9A – Montáž modelu DUO,DUO 2V (rozvodný systém v podlaze)



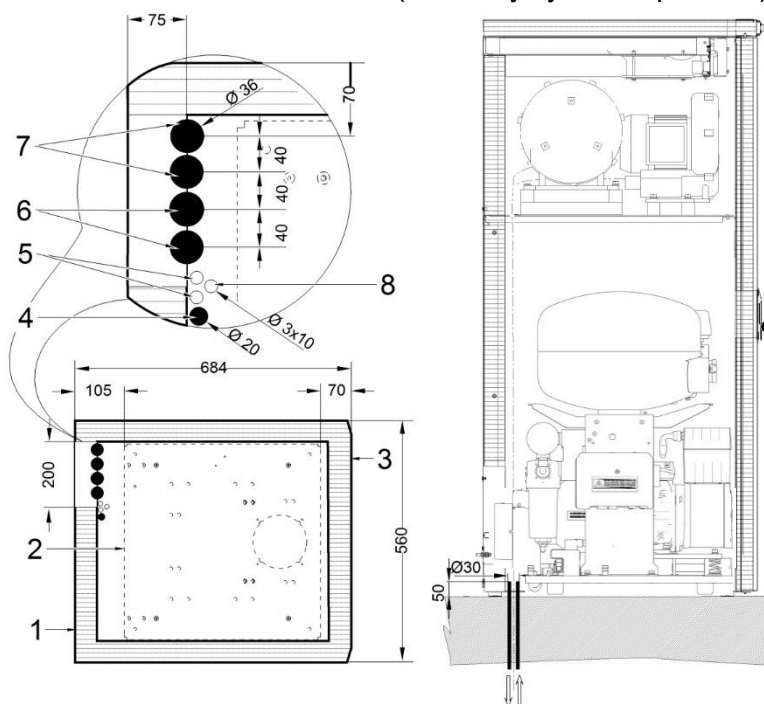
- 1 – Půdorys skříně
- 2 – Půdorys základny
- 3 – Přední strana – dveře
- 4 – Připojení stlačeného vzduchu G3/8"
- 5 – Přípojka pro ovládací jednotku 2A x 0,75
- 6 – Vstup sací jednotky
- 7 – Výfuk sací jednotky
- 8 – Přípojka napájení 230 V / 50(60) Hz, 3G x 1,5
- 9 – Vypuštění kondenzátu u verze se sušičem

– všechny rozměry jsou uvedeny v milimetrech  
 – vzdálenost zadní stěny zařízení od překážky – stěny min. 100 mm

(Připojeno přes otvor na zadní straně skříně)



Obr. 9B - Montáž modelu DUO 2 (rozvodný systém v podlaze)



- 1 – Obrys skřínky
- 2 – Obrys základny
- 3 – Přední část – dveře
- 4 – Přípojka tlakového vzduchu G3/8"
- 5 – Přívod ovládacího napětí odsávačky 2A x 0,75
- 6 – Sání + výtlak 1. odsávačky
- 7 – Sání + výtlak 2. odsávačky (DUO 2)
- 8 – Přívod napájecího napětí 230 V/50(60) Hz 3Gx1,5

– všechny rozměry jsou v milimetrech  
 – vzdálenost od stěny min. 100 mm

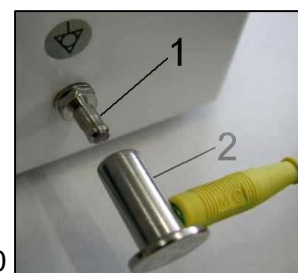
## 14. ELEKTRICKÉ ZAPOJENÍ

Výrobek se dodává s kabelem zakončeným zástrčkou s ochranným kontaktem. Síťovou zástrčku zapojte do síťové zásuvky.



**Je nezbytně nutné respektovat místní elektrotechnické předpisy. Napětí sítě a kmitočet musí souhlasit s údaji na štítku přístroje.**

- Zásuvka musí být z bezpečnostních důvodů dobře přístupná, aby bylo možné výrobek v případě nebezpečí bezpečně odpojit od sítě.
- Příslušný proudový okruh musí být v rozvodu elektrické energie jištěný minimálně na 16 A.
- Kolík pro ekvipotenciální pospojování  $\varnothing$  6 mm (1) propojte s rozvodem podle platných elektrotechnických předpisů. Zásuvka ekvipotenciálního pospojování (2) je doplňkové příslušenství a není součástí základního balení výrobku. (Obr. 10)



Obr. 10



**Elektrický kabel se nesmí dotýkat horkých částí kompresoru. Riziko úrazu elektrickým proudem!**



**Elektrický kabel pro připojení k elektrické síti ani vzduchové hadice nesmějí být zlomené.**

Ved'te elektrický kabel skrz zadní otvor ve skříni nebo ji připojte k výstupu v podlaze (obr. 8, 9)

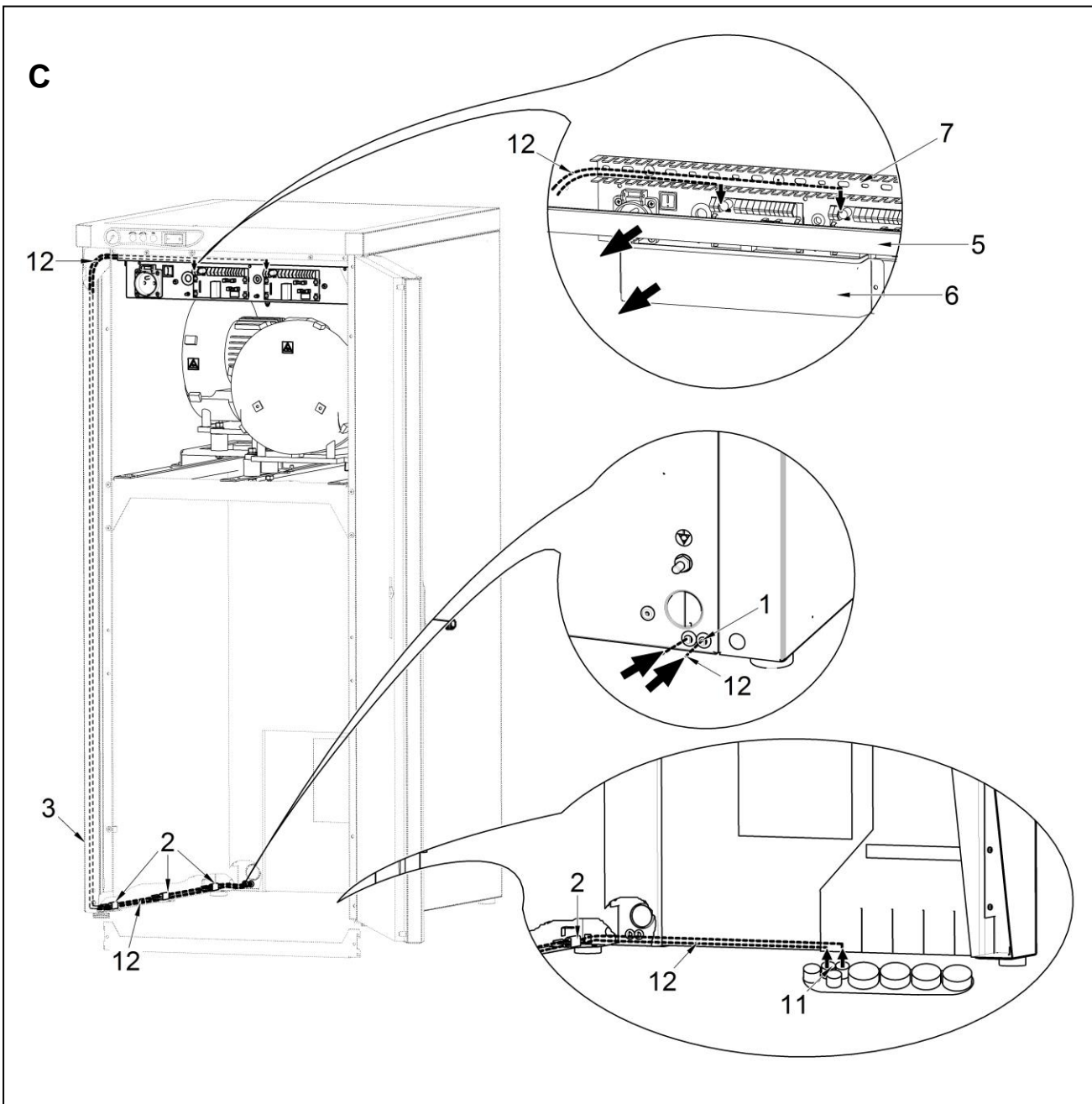
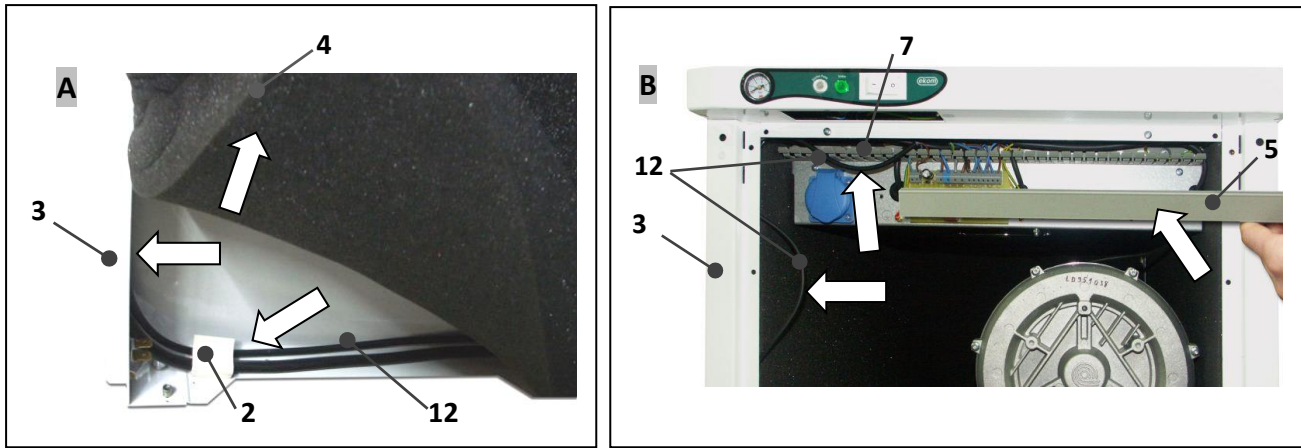
### 14.1. Přípojka pro ovládání sací jednotky

(Obr. 11)

Ved'te kabel (12) ovládání vedení sací jednotky (24 V AC/DC) skrz otvor v zadní stěně skříně (1) nebo otvorem pro podlažní přípojku (11), a zajistěte jej sponami (2) nacházejícími se na levém panelu ve spodní části skříně, a pak skrz dutinu (3) v přední stěně skříně. Před upevněním kabelu do spon přesuňte akustickou izolaci (4) z rohů skříně. Sundejte kryt kabelovodu elektrického okruhu (5) a kryt rozvodné desky (6). Podle schématu zapojení připojte kabel ovládání sací jednotky k desce plošných spojů, zasuňte jej do dutiny (3) v přední straně skříně, ved'te jej za akustickou izolací na boku skříně a zasuňte do kabelovodu (7).



**Zajistěte, aby se elektrický kabel nedotýkal horkých součástí kompresoru. Mohlo by dojít k poškození jeho izolace!**



Obr.11

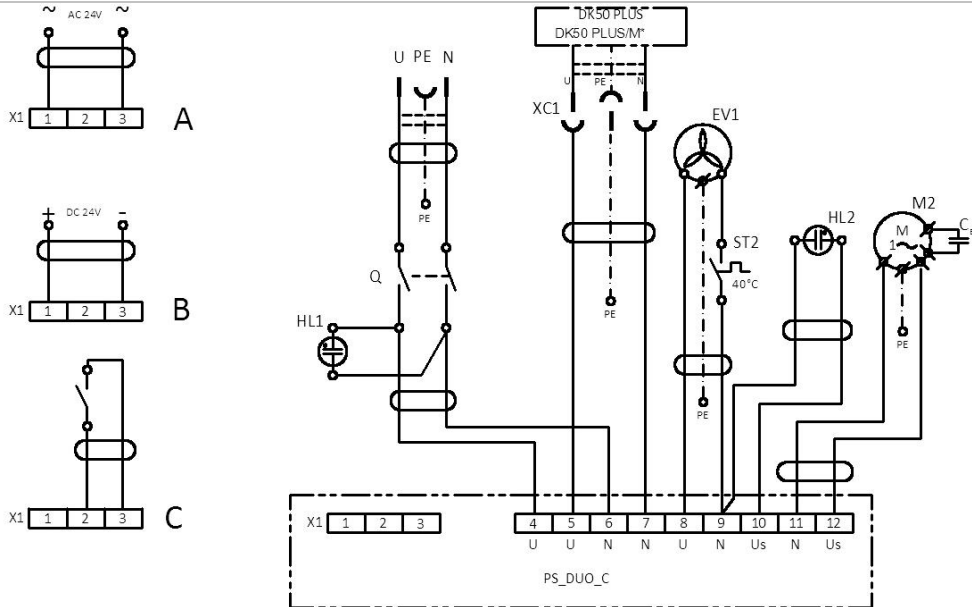




**Skříňka Duo se sací jednotkou**
**DUO**

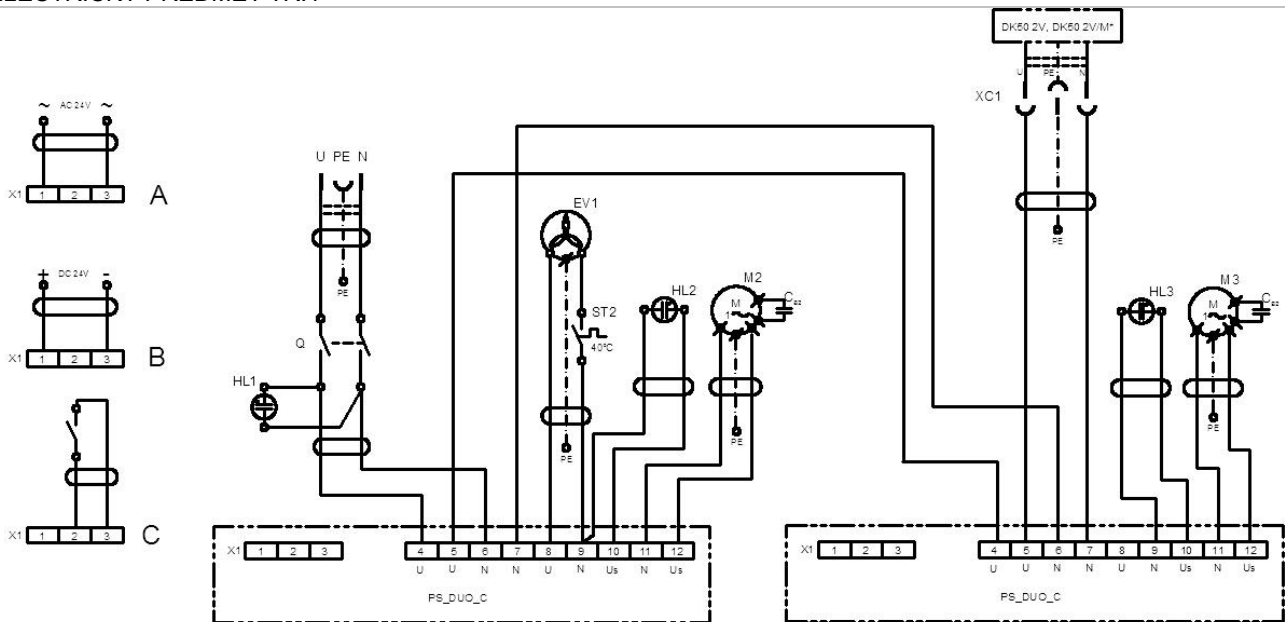
1/N/PE ~ 230V/50Hz, 230V/60Hz

ELECTRICKÝ PREDMET TR.1


**DUO2, DUO 2V**

1/N/PE ~ 230V/50Hz, 230V/60Hz

ELECTRICKÝ PREDMET TR.1


**Popis k elektrickým schémátům**

M1	Motor kompresoru	X1	Svorkovnice
E1	Ventilátor kompresoru	F1	Vypínač
E2	Ventilátor sušiče	M4	Ventil vypouštění kondenzátu
M3	Odlehčovací ventil	XC1	Zásuvka
B2	Teplotní spínač	HL1,HL2	Kontrolky
EV1	Ventilátor skříňky	HL3	Kontrolky
X2	Konektor	M2, M3	Motor sací jednotky
C1, Cb	Kondenzátor	ST2	Teplotní spínač
B1	Tlakový spínač	Q	Spínač

**OBSLUHA**

**ZAŘÍZENÍ SMÍ OBSLUHOVAT JEN VYŠKOLENÝ PERSONÁL!**



**V PŘÍPADĚ NEBEZPEČÍ ODPOJTE KOMPRESOR OD SÍTĚ (VYTÁHNĚTE SÍTOVOU ZÁSTRČKU).**



**POVRCH AGREGÁTU KOMPRESORU JE HORKÝ. PŘI DOTYKU HROZÍ NEBEZPEČÍ POPÁLENÍ.**



**Během delšího provozu kompresoru a sací jednotky se zvýší teplota v jejich okolí nad 40 °C, při této teplotě se automaticky zapne chladicí ventilátor. Po ochlazení prostoru pod cca 32 °C se ventilátor opět vypne.**



**Automatické spuštění. Když tlak v tlakové nádrži poklesne na zapínací tlak, kompresor se automaticky zapne. Kompresor se automaticky vypne, když tlak ve vzdušniku dosáhne hodnoty vypínacího tlaku.**



**Je zakázáno měnit pracovní tlaky tlakového spínače nastaveného výrobcem. Činnost kompresoru při nižším pracovním tlaku, než je zapínací tlak, svědčí o vysoké spotřebě vzduchu (viz kap. VYHLEDÁVÁNÍ PORUCH A JEJICH ODSTRANĚNÍ - Poruchy).**



**Požadovaného stupně sušení je možné dosáhnout pouze při dodržení předepsaných provozních podmínek!**



**Při provozu sušiče při tlaku nižším než minimální pracovní tlak se účinnosti sušení sníží a zhorší se dosahovaný rosný bod!**



**PŘI PROVOZU SUŠIČE PŘI TEPLOTĚ OKOLÍ VYŠŠÍ NEŽ MAXIMÁLNÍ PROVOZNÍ TEPLOTA MŮŽE DOJÍT K POŠKOZENÍ SUŠIČE!**

**16. PRVNÍ UVEDENÍ DO PROVOZU**

- Zkontrolujte, zda byly odstraněny všechny fixační prvky použité při přepravě.
- Zkontrolujte správné připojení vedení stlačeného vzduchu.
- Zkontrolujte řádné připojení k elektrické síti.
- Zkontrolujte připojení hadice od manometru ve skříni k pneumatickému bloku kompresoru. (Obr. 3 a 7)
- Zkontrolujte kabel napájení kompresoru v zásuvce kompresoru (34). (Obr. 3)
- Zkontrolujte připojení šňůry (12) ovládání odsávačky. (Obr. 11)
- Zkontrolujte připojení hadic pro sání a výtlak. (Obr. 9)
- Zkontrolujte, zda je jisticí vypínač přepnut do polohy „I“. Pokud je vypínač (4) v poloze „0“, přepněte jej do polohy „I“. (Obr. 12)
- Přepněte vypínač (5) na přední straně skříni do polohy „I“; rozsvícená zelená kontrolka bude signalizovat, že zařízení je připraveno k provozu. (Obr. 12)



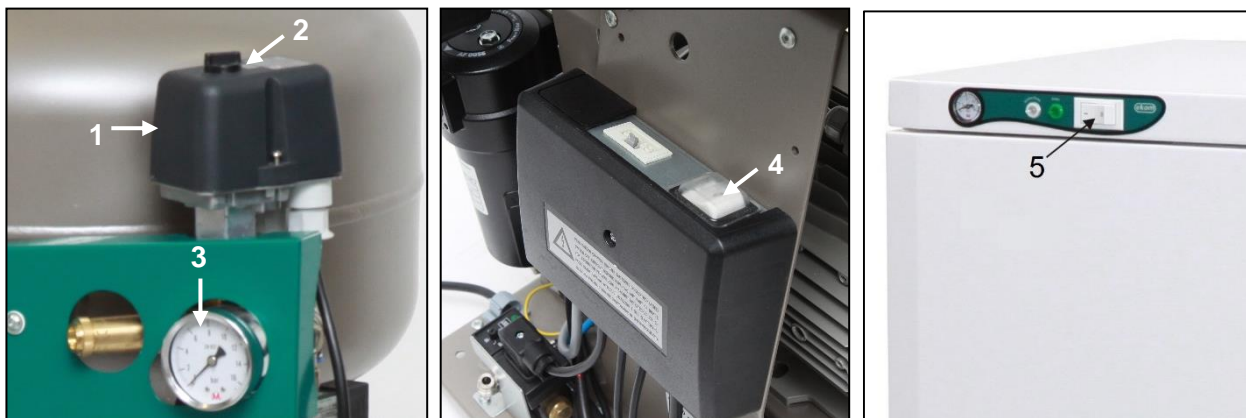
**Kompresor neobsahuje záložní zdroj energie.**

## 17. ZAPNUTÍ KOMPRESORU

(Obr. 12)

Spustíte kompresor přes tlakový spínač (1) otočením spínače (2) do polohy „I“. Zkontrolujte, zda je spínač přepnut do polohy „I“. Pokud ne, vypínač (4) přepněte do polohy „I“. Zapněte vypínač (5) na přední straně skříně, rozsvítí se zelená kontrolka. Kompresor se uvede do chodu, naplní se vzdušník a po dosažení mezního tlaku se kompresor vypne tlakovým spínačem. Kompresor pracuje v automatickém režimu, tj. je zapínán a vypínán tlakem vzduchu podle aktuální spotřeby stlačeného vzduchu.

Podle tlakoměru (3) zkontrolujte hodnoty tlaku pro zapnutí a vypnutí. Přípustná tolerance je  $\pm 10\%$ . Tlak ve vzdušníku nesmí překročit povolený provozní tlak.



Obr.12



**U kompresoru není dovoleno svévolně měnit tlakové limity tlakového spínače. Tlakový spínač (1) byl nastaven výrobcem a další nastavení zapínacího a vypínacího tlaku může provést pouze kvalifikovaný odborník vyškolený výrobcem.**

**Kompresor se sací jednotkou** – po prvním spuštění a uvedení do provozu kompresor začne plnit stlačený vzduch do vzdušníku až do dosažení mezního tlaku, kdy tlakový spínač vypne kompresor. Kompresor pracuje v automatickém režimu, tj. je zapínán a vypínán tlakem vzduchu podle aktuální spotřeby stlačeného vzduchu.

Provoz sacího agregátu je řízen ze stomatologické jednotky. Provoz sací jednotky je signalizován bílou kontrolkou na přední straně skříně.

**Kompresor se sušičem** – kompresor pracuje stejně jako v předchozím případě, ale během provozu kompresoru prochází stlačený vzduch sušičem, který odebírá vlhkost zestlačeného vzduchu.

## 18. VYPNUTÍ KOMPRESORU

(Obr. 12)

Vypnutí kompresoru kvůli servisu nebo z jiné příčiny se provádí na tlakovém spínači (1) otočením přepínače (2) do polohy „0“ a **vytáhnutím síťové zástrčky ze zásuvky**. Kompresor se tím odpojí od napájecí sítě. Snižte tlak ve vzdušníku na nulu otevřením vypouštěcího ventilu. (Obr. 13).

## ÚDRŽBA

### 19. ÚDRŽBA VÝROBKU

#### Upozornění!

Provozovatel je povinen zajistit provádění opakovaných zkoušek zařízení minimálně 1× za 24 měsíců (EN 62353) nebo v intervalech, které určují příslušné národní právní předpisy. O výsledcích zkoušek musí být proveden záznam (např. podle EN 62353, příloha G), a to s uvedením metod měření.

Zařízení je zkonstruováno a vyrobeno tak, aby jeho údržba byla minimální. K zajištění řádné a spolehlivé činnosti kompresoru je však zapotřebí provádět úkony dle následujícího popisu.



Před zahájením údržby kompresoru je nutné zkontrolovat, zda je možné kompresor odpojit od spotřebiče, aby tím neohrozilo riziko poškození zdraví nebo ohrožení života osoby používající daný spotřebič, případně jiné materiální škody!



Během provozu kompresoru a těsně po jeho ukončení mají části agregátu (hlava, válec, tlaková hadice) vysokou teplotu – nedotýkejte se těchto částí!



Opravné práce, které přesahují rámec běžné údržby, smí provádět pouze kvalifikovaný odborník nebo pracovníci zákaznického servisu výrobce. Používejte pouze náhradní díly a příslušenství předepsané výrobcem.



**PŘED VYPOUŠTĚNÍM STLAČENÉHO VZDUCHU Z PNEUMATICKÉHO ROZVODU (VZDUŠNÍKU) JE NUTNÉ CHRÁNIT SI ZRAK OCHRANNÝMI BRÝLEMI.**

Níže uvedené úkony může provádět pouze zaškolený pracovník dále uvedeným způsobem:



**PŘED ZAHÁJENÍM NÁSLEDUJÍCÍCH ÚDRŽBÁŘSKÝCH PRACÍ JE NUTNÉ VYPNOUT KOMPRESOR, ODPOJIT JEJ OD SÍTĚ (VYTÁHNOUT SÍTOVOU ZÁSTRČKU) A VYPUSTIT STLAČENÝ VZDUCH ZE VZDUŠNÍKU.**



Před údržbou, servisem výrobku nebo připojením/odpojením přívodu tlakového vzduchu nechte zařízení vychladnout!



Uzemňovací vodič odpojený během servisního zásahu je nutné po ukončení prací znovu připojit na původní místo.



Odsávací agregát může být kontaminovaný. V případě jeho opravy je potřeba odsávací agregát nejprve poslat na dekontaminaci do specializované firmy nebo do EKOM spol. s r.o.

## 19.1. Intervaly údržby

Časový interval <sup>c)</sup>	50 Hz	1x denně	1x týdně	1x za rok	1x za 2 roky	2000 h	4000 h	6000 h	8000 h	10000 h	12000 h	Kap.	Sada náhradních dílů	Provede
	60 Hz	x	x			1600 h	3200 h	4800 h	6400 h	8000 h	9600 h			
Kontrola činnosti výrobu	x											19.2	-	obsluha
Vypustte kondenzát ze vzdušníku <sup>b)</sup> Při vysoké RH) – Vylijte zachycený kondenzát z láhve <sup>d)</sup>	x											19.5	-	obsluha
Vypustte kondenzát ze vzdušníku <sup>b)</sup> - Při běžné RH) <sup>b)</sup>		x										19.5	-	obsluha
Kontrola funkčnosti výrobu		x										9	-	obsluha
K Kontrola těsnosti spojů a kontrolní prohlídka zařízení			x									19.3	-	kvalifikovaný odborník
Kontrola elektrických spojů			x									19.4	-	kvalifikovaný odborník
Kontrola chladiče a ventilátoru			x									19.9	-	kvalifikovaný odborník
Výměna filtrační vložky filtru sušiče				x								19.8	025200304-000	kvalifikovaný odborník
Kontrola pojistného ventilu				x								19.6	-	kvalifikovaný odborník
Výměna vstupního filtru agregátu DK50 PLUS <sup>a)</sup>					x			x			x	19.7	025200126-000	kvalifikovaný odborník
Výměna vstupního filtru a předfiltru agregátu DK50 2V <sup>a)</sup>					x		x		x		x	19.7	025200139-000 025200150-000	kvalifikovaný odborník
Provedení „Opakované zkoušky“ podle ČSN EN 62353						x						19.		kvalifikovaný odborník

a) Platí údaj v hodinách; pokud není dostupný, pak platí údaj v letech.

b) Platí pouze pro kompresor bez sušiče.

c) U provedení kompresoru 60 Hz se časový interval v hodinách zkrátí o 20 %

(2000h./1600h., 4000h./3200h., 6000h./4800h., 8000h./6400h., 10000h./8000h., 12000h./9600h.)

d) Platí jen pro kompresor se sušičem

### 19.2. Kontrola činnosti

- Kontrola stavu agregátů – agregáty musí mít rovnoměrný chod, bez vibrací, přiměřenou hlučnost. V případě negativního výsledku vyhledejte příčinu stavu nebo zavolejte servis
- Kontrola činnosti ventilátorů (pohledem) – ventilátory musí být v provozu v době, kdy jsou v provozu agregáty. V případě negativního výsledku vyhledejte příčinu stavu nebo zavolejte servis
- Kontrola neporušenosti přívodního kabelu, pneumatických hadic. Poškozené díly vyměňte nebo zavolejte servis.
- Kontrola teploty okolí – teplota okolí musí být nižší než přípustná teplota (40 °C). V případě vyšší teploty zlepšete chlazení v místnosti.
- U kompresoru se sušičem vzduchu - na láhvi pro kondenzát uvolněte zátku a vylijte kondenzát.

### 19.3. Kontrola těsnosti pneumatických spojů a kontrolní prohlídka zařízení

#### Kontrola těsnosti:

- Kontrolu těsnosti pneumatických rozvodů kompresoru provádějte během provozu – tlakování kompresoru.
- Analyzátozem netěsností nebo mýdlovou vodou zkontrolujte těsnost spojů. Pokud bude indikována netěsnost, musíte spoj dotáhnout, případně utěsnit.

#### Prohlídka zařízení:

- Zkontrolujte stav agregátu kompresoru - rovnoměrnost chodu, přiměřená hlučnost.
- Kontrola činnosti ventilátorů - ventilátory musí být v činnosti během předepsaných provozních cyklů kompresoru.
- Kontrola funkčnosti teplotního spínače (B2) – teplotní spínač zahřejte na teplotu vyšší než 40 °C (např. horkovzdušnou pistolí – pozor, nepůsobte vysokou teplotou na plastové díly v okolí, může dojít k deformaci plastů). Po dosažení teploty 40 °C se uvede do provozu ventilátor EV1 (i EV2, v případě kompresoru se sušičem) – kompresor musí být pod napětím.
- Kontrola stavu filtrů – filtry musí být bez poškození a přiměřeně čisté
- Kontrola stavu vlastního agregátu, zda nejsou nečistoty v klikové skříni, příp. vůle na klikovém hřídeli

V případě nalezení závady vyměňte chybné součástky.

### 19.4. Kontrola elektrických spojů



**Kontrolu elektrických spojů provádějte až po odpojení síťového napětí!**

#### Kontrola:

- Zkontrolujte mechanickou funkčnost hlavního vypínače.
- Zkontrolujte neporušenost přívodního kabelu, připojení vodičů.
- Proveďte vizuální kontrolu připojení kabelů ke svorkovnici.
- Zkontrolujte všechny šroubové spoje ochranného zelenožlutého vodiče PE.

### 19.5. Vypuštění kondenzátu

#### Kompresory (Obr. 13)

Při pravidelném provozu se doporučuje vypustit kondenzát z tlakové nádoby. Kompresor odpojte ze sítě a tlak vzduchu v zařízení snižte na tlak max. 1 bar, například odpuštěním vzduchu přes připojené zařízení. Nasadte hadičku ze základního vybavení na vypouštěcí ventil. Pod hadičku umístěte nádobu a otevřením vypouštěcího ventilu (1) vypusťte kondenzát z nádrže.



Obr. 13



**Vypouštěcí ventil otvírejte opatrně a postupně. Přílišné otevření vypouštěcího ventilu je doprovázeno výrazným akustickým projevem a nekontrolovaným vystříknutím nahromaděného kondenzátu.**

Kompresor bez sušiče je možné vybavit Automatickým odvodem kondenzátu (AOK), který zajistí odvádění kondenzátu bez zásahu obsluhy (viz kap. 8.2.).

#### Kompresory se sušičem vzduchu (Obr. 14)

U kompresoru se sušičem vzduchu se kondenzát automaticky vypouští do láhve. Láhev je zapotřebí pravidelně vylévat.



Obr. 14



**Sledujte naplnění nádoby po rysku (podle objemu 1l/2l nádoby) a vyprázdněte nejpozději jednou za den. V případě nedodržení intervalu vylévání nádoby může dojít k přetečení nádoby.**



**Riziko uklouznutí na vlhké podlaze v případě přetečení nádoby.**



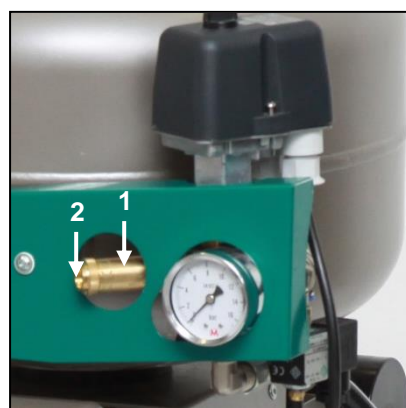
**PŘED NÁSLEDUJÍCÍMI KONTROLAMI MUSÍTE:**

**U kompresoru se skříňkou – odjistěte zámeček na dveřích a otevřete dvířka skříňky.**

### 19.6. Kontrola pojistného ventilu

(Obr. 15)

Při prvním uvedení kompresoru do provozu je třeba zkontrolovat správnou funkci pojistného ventilu. Šroub (2) pojistného ventilu (1) otočte o několik otáček doleva, dokud nedojde k odfouknutí vzduchu přes pojistný ventil. Pojistný ventil nechejte jen krátce volně odfouknout. Šroub (2) otáčejte doprava až na doraz, ventil nyní musí být opět zavřený.



Obr. 15



**Pojistný ventil se nesmí používat k odtlačování tlakové nádrže. Mohlo by dojít k narušení funkce pojistného ventilu. Ten je od výrobce nastaven na přípustný maximální tlak, je přezkoušen a označen. Přestavování je zakázáno!**



**POZOR! STLAČENÝ VZDUCH JE NEBEZPEČNÝ KVŮLI RIZIKU POŠKOZENÍ ZRAKU! NEBEZPEČÍ POŠKOZENÍ ZRAKU.**



### 19.7. Výměna vstupního filtru a předfiltru

(Obr. 16)

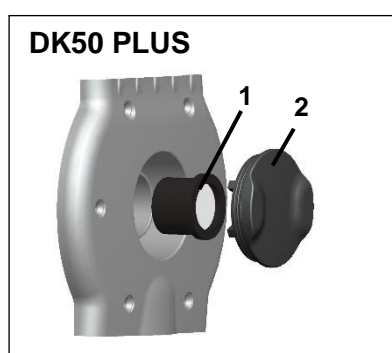
Ve víku klikové skříně kompresoru se nachází vstupní filtr (1).

Výměna vstupního filtru:

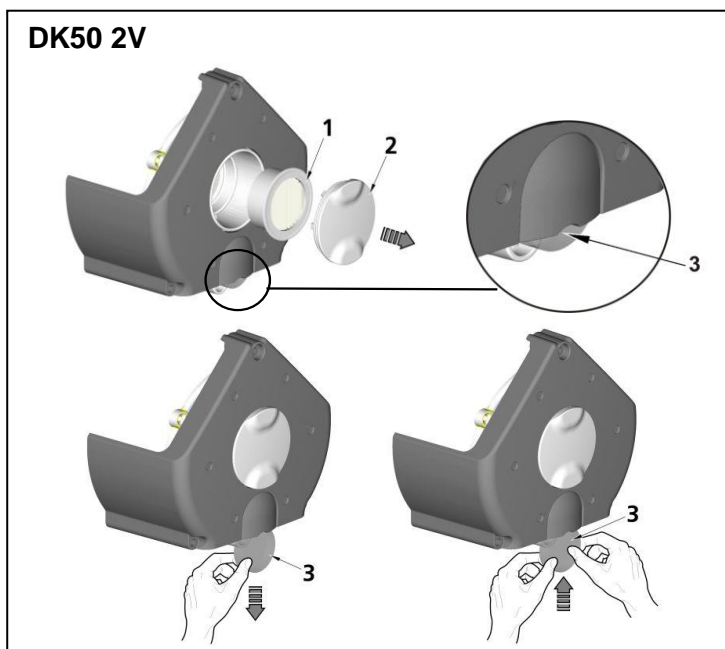
- Rukou vytáhněte gumovou zátku (2).
- Vyjměte použitý a znečištěný filtr (1).
- Vložte nový filtr a nasadte gumovou zátku.

Výměna předfiltru:

- Rukou vytáhněte předfiltr (3).
- Vyměňte ho za nový a vložte zpět.



Obr. 16

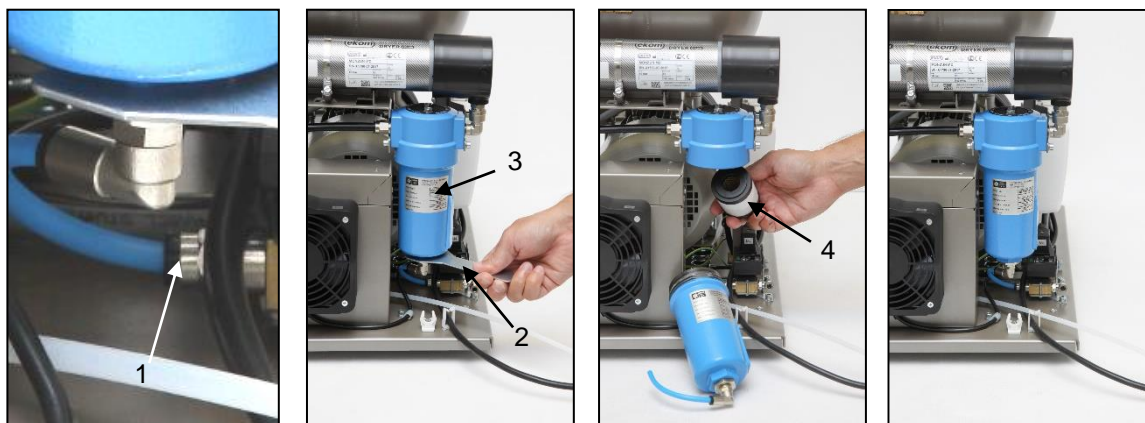


### 19.8. Výměna filtrační vložky ve filtru

(Obr. 17)

- Vytáhněte hadičku (1) z rychlospojky.
- Klíčem (2) povolte nádobku filtru (3) a odmontujte ji.
- Filtrační vložku (4) odmontujte jejím vytažením směrem dolů.
- Vložte novou vložku.
- Nasadte nádobku filtru.
- Klíčem jemně dotáhněte nádobku filtru.
- Osadte hadičku zpět do rychlospojky.

Obr. 17



**19.9. Kontrola chladiče a ventilátoru (Obr. 2)**

Aby bylo sušení účinné, udržujte celé zařízení a zejména ventilátor kompresoru, ventilátor chladiče (21) a chladič (14) v čistotě. Odsajte nebo stlačeným vzduchem odstraňte usazený prach z povrchu chladicích žeborů a ventilátorů.

**19.10. Čištění a dezinfekce vnějších ploch výrobku**

Na čištění a dezinfekci vnějších ploch výrobku použijte neutrální prostředky.



**Používání agresivních čisticích a dezinfekčních prostředků obsahujících alkohol a chloridy může vést k poškození povrchu a změně barvy výrobku.**

**VYHLEDÁVÁNÍ PORUCH A JEJICH ODSTRANĚNÍ**

**Před zásahem do zařízení je třeba snížit tlak vzduchu ve vzdušníku na nulu a odpojit zařízení od elektrické sítě.**

Aby se zachovala trvalá účinnost sušení, je nutné dodržovat celé zařízení a zejména ventilátor chladiče v čistotě – občas z povrchu chladicích žeborů odstraňte/vyfoukejte usazený prach.

Činnosti související s odstraňováním poruch smí provádět pouze kvalifikovaný odborník servisní služby.



**Dodržování zásad osobní hygieny pro práci s kontaminovaným materiálem. Vytřídění, označování, zabalení a zajištění dekontaminace kontaminovaných částí v souladu s národními předpisy.**

PORUCHA	MOŽNÁ PŘÍČINA	ŘEŠENÍ
Kompresor se nespustí.	V tlakovém spínači není napětí  Přerušené vinutí motoru, poškozená tepelná ochrana Vadný kondenzátor Zadřený píst nebo jiná rotační část Nespíná tlakový spínač	Zkontrolujte napětí v zásuvce Zkontrolujte stav jističe - uveďte ho do stavu zapnuto „I“ Vodič uvolněný ze svorky - opravte ho Kontrola elektrického kabelu – vadný kabel vyměňte Vyměňte motor, resp. přeвиňte vinutí  Vyměňte kondenzátor Vyměňte poškozené části Zkontrolujte funkci tlakového spínače
Kompresor spíná často.	Únik vzduchu z pneumatického rozvodu Netěsnost zpětného ventilu (ZV)  V tlakové nádobě je větší množství zkondenzované kapaliny Nízký výkon kompresoru	Zkontrolujte pneumatický rozvod – uvolněný spoj utěsněte Vyčistěte SV, vyměňte těsnění, vyměňte SV Vypusťte zkondenzovanou kapalinu  Zkontrolujte čas naplnění vzdušníku

Nízký tlak ve vzdušníku (kompresor je v provozu trvale)	Vysoká spotřeba vzduchu spotřebičem, netěsnosti v pneumatickém rozvodu, nízký výkon agregátu  Porucha agregátu Porucha sušiče	Snížení spotřeby vzduchu Použití výkonnějšího kompresoru Kontrola pneumatického rozvodu – uvolněné spoje utěsnit Oprava / výměna agregátu Oprava / výměna agregátu Výměna sušiče
Chod kompresoru se prodlužuje.	Únik vzduchu z pneumatického rozvodu Opotřebený pístní kroužek Znečištěný vstupní filtr Nesprávná funkce solenoidového ventilu	Zkontrolujte pneumatický rozvod – uvolněný spoj utěsněte Vyměňte opotřebený pístní kroužek Vyměňte znečištěný filtr Opravte nebo vyměňte ventil nebo cívku
Kompresor je hlučný (klepání, kovové zvuky).	Poškozené ložisko pístu, ojnice, ložisko motoru Uvolněný (prasklý) tlumicí prvek (pružina)	Vyměňte poškozené ložisko  Vyměňte poškozenou pružinu
Sací jednotka není v chodu nebo má nepravidelný chod	Na svorkách sací jednotky není napětí	Zkontrolujte napětí v zásuvce. Zkontrolujte pojistky – vadné pojistky vyměňte. Povolená svorka – dotáhněte Zkontrolujte napájecí kabel – vadný kabel vyměňte. Zkontrolujte ovládací napětí.
	Jiná mechanická závada v sací jednotce	Poškozené ložisko, poškozené oběžné kolo sací jednotky – kontaktujte servisní středisko.
	Přehřívání sací jednotky (sepnutí tepelné ochrany)	Zkontrolujte správnou funkci ventilátoru skříně – vadný ventilátor vyměňte. Zkontrolujte sací a výfuková vedení, zda nejsou poškozena. Poškozené hadice vyměňte a odstraňte cizí předměty.
Sací jednotka vytváří malý nebo žádný podtlak, motor běží	Netěsnost v sacím vedení, cizí částice v sacím vedení, ucpané výfukové vedení	Zkontrolujte přípojky na sacím vedení, odstraňte netěsnosti a odstraňte cizí částice.
Sušič nesuší (ve vzduchu se objevuje kondenzát) *	Nefunkční ventilátor chladiče	Vyměňte ventilátor Zkontrolujte přívod elektrické energie
	Poškozený sušič	Vyměňte sušič
	Automatický odvod kondenzátu není funkční	Vyčistěte/vyměňte

)\* Při poruše sušiče je nutné důkladně vyčistit vnitřní povrch vzdušníku a dokonale odstranit zkondenzovanou kapalinu.

**Zkontrolujte vlhkost vystupujícího vzduchu ze vzdušníku (viz kap. 7 – Technické údaje), abyste zajistili ochranu připojeného zařízení před poškozením!**

## 20. INFORMACE O SERVISU

Záruční a pozáruční opravy zajišťuje výrobce nebo firmy a servisní pracovníci určení dodavatelem.

*Upozornění!*

Výrobce si vyhrazuje právo provést u výrobku změny, které však neovlivní podstatné vlastnosti přístroje.

## 21. ODSTAVENÍ Z PROVOZU

V případě, že se kompresor nebude delší dobu používat, doporučujeme vypustit kondenzát z tlakové nádrže a kompresor uvést do provozu asi na 10 minut s otevřeným ventilem pro vypuštění kondenzátu (1) (Obr. 14). Potom kompresor vypněte vypínačem (2) na tlakovém spínači (1) (obr. 12), zavřete ventil pro vypouštění kondenzátu a odpojte zařízení od elektrické sítě.

## 22. LIKVIDACE ZAŘÍZENÍ

- Zařízení odpojte od elektrické sítě.
- Odvětrejte stlačený vzduch z tlakové nádrže otevřením ventilu pro odvod kondenzátu (1) (obr. 13).
- Při práci s kontaminovanými materiály dodržujte zásady osobní hygieny.
- Kontaminované části vyřídte, označte, zabalte a zajistěte jejich dekontaminaci v souladu s místními předpisy.
- Zařízení zlikvidujte v souladu se všemi platnými předpisy na ochranu životního prostředí.
- Roztřídění a likvidaci odpadu svěťte specializované společnosti.
- Opatřené součásti nemají žádný nežádoucí dopad na životní prostředí.



**Vnitřní součásti sací jednotky mohou být kontaminovány biologickým materiálem v důsledku nesprávného používání. Před vyříděním a likvidací zařízení svěťte specializované společnosti k provedení dekontaminace.**

**23. INSTALLATION RECORD**



<b>1. Product:</b> (model) DUO DUO2V DUO 2		<b>2. Serial number:</b>	
<b>3.1. User's name:</b>			
<b>3.2. Address of installation:</b>			
<b>4. Equipment connected to the compressor:</b>			
<b>5. Installation / Commissioning:</b>		<b>6. Contents of operator training:</b>	
A. Product completeness check **	Y N	A. Description of the product and functions**	Y N
B. Documentation completeness check **	Y N	B. Product operation: turning on/off, controls, control procedures, data on the display panel, alarms, operation in alarm conditions**	Y N
C. Installation/connection to equipment **	Y N	C. Product maintenance: maintenance intervals, maintenance procedure, service intervals, operating activities**	Y N
D. Functional test **	Y N	D. Safety measures, warnings – their meaning and compliance **	Y N
<b>Notes::</b>			
<b>7. Operator instructed on safety measures, operations and maintenance:</b>			
Name :		Signature:	
Name:		Signature:	
Name :		Signature:	
<b>8. Installation and instruction performed by –</b> First name/Last name		Signature:	
Company:		Address:	
Phone:			
Email:		Date:	
<b>9. Distributor:</b>			
Company:		Adresa:	
Contact person:			
Phone:		Email :	

\*\* mark with an “X” in points 5 and 6 (Y - yes /N - no). Enter any observations from points 5 and 6 into the “Notes” section



## 23. INSTALLATIONSprotokoll

1. Produkt: (Modell) DUO DUO2V DUO 2		2. Seriennummer:	
3.1. Benutzername:			
3.2. Aufstellungsort:			
4. An den Kompressor angeschlossene Geräte:			
5. Installation / Inbetriebnahme:		6. Inhalte der Bedienschulung:	
A. Vollständigkeitsprüfung des Produkts**	J	A. Beschreibung des Produkts und der Funktionen**	J
	N		N
B. Dokumentation der Vollständigkeitsprüfung**	J	B. Produktbetrieb: Ein-/Ausschalten, Steuerungen, Steuerungsabläufe, Daten auf dem Display, Alarmer, Betrieb bei Alarmzustand**	J
	N		N
C. Installation/Anschluss an Gerät**	J	C. Produktwartung: Wartungsintervalle, Wartungsablauf, Serviceintervalle, Betriebsabläufe**	J
	N		N
D. Funktionstest**	J	D. Sicherheitsmaßnahmen, Warnmeldungen – Bedeutung und Befolgung**	J
	N		N
Hinweise:			
7. Der Bediener wurde über die Sicherheitsmaßnahmen, über Abläufe und Wartung instruiert:			
Name:		Unterschrift:	
Name:		Unterschrift:	
Name:		Unterschrift:	
8 Installation und Anweisung vorgenommen durch – Vorname/Nachname		Unterschrift:	
Firma:		Adresse:	
Telefon:			
E-Mail:		Datum:	
9 Vertriebshändler:			
Firma:		Adresse:	
Ansprechpartner:			
Telefon:		E-Mail:	

\*\*für Punkte 5 und 6 mit einem „X“ markieren (J – Ja/N – Nein). Geben Sie alle Beobachtungen aus den Punkten 5 und 6 im Abschnitt „Hinweise“ ein.

**23. REGISTRE D'INSTALLATION**



<b>1. Produit :</b> (modèle) DUO DUO2V DUO 2		<b>2. Numéro de série :</b>	
<b>3.1. Nom de l'utilisateur :</b>			
<b>3.2. Adresse de l'installation :</b>			
<b>4. Équipement raccordé au compresseur :</b>			
<b>5. Installation/mise en service :</b>		<b>6. Contenu de la formation des opérateurs :</b>	
A. Vérification de l'intégralité de l'appareil **	<input type="radio"/> O <input type="radio"/> N	A. Description de l'appareil et de ses fonctions **	<input type="radio"/> O <input type="radio"/> N
B. Vérification de l'intégralité de la documentation **	<input type="radio"/> O <input type="radio"/> N	B. Fonctionnement de l'appareil : mise en marche/arrêt, commandes, procédures de commande, données sur le panneau d'affichage, alarmes, fonctionnement des conditions d'alarme**	<input type="radio"/> O <input type="radio"/> N
C. Installation/raccordement à l'appareil	<input type="radio"/> O <input type="radio"/> N	C. Entretien de l'appareil : Intervalles de maintenance, procédure d'entretien, intervalles d'entretien, activités d'exploitation**	<input type="radio"/> O <input type="radio"/> N
D. Test fonctionnel **	<input type="radio"/> O <input type="radio"/> N	D. Mesures de sécurité, avertissements : signification et conformité **	<input type="radio"/> O <input type="radio"/> N
<b>Remarque :</b>			
<b>7. Opérateur instruit sur les mesures de sécurité, les opérations et la maintenance :</b>			
Nom :		Signature :	
Nom :		Signature :	
Nom :		Signature :	
<b>8. Installation réalisée par :</b> Prénom/Nom		Signature :	
Société :		Adresse :	
Téléphone :			
E-mail :		Date :	
<b>9. Distributeur :</b>			
Société :		Adresse :	
Personne de contact :			
Téléphone :		E-mail :	

\*\* marquer d'un « X » aux points 5 et 6 (O - oui /N - non). Saisir les observations des points 5 et 6 dans la section « Remarques ».



## 23. ОТЧЕТ ОБ УСТАНОВКЕ

1. Изделие: (модель) DUO DUO2V DUO 2		2. Серийный номер:	
3.1. Имя пользователя:			
3.2. Адрес проведения установки:			
4. Оборудование, подсоединенное к компрессору			
5. Установка / ввод в эксплуатацию		6. Этапы подготовки оператора	
А. Проверка комплектации изделия**	Д	А. Описание изделия и его функций**	Д
	Н		Н
В. Проверка наличия документации**	Д	В. Эксплуатация изделия: включение и выключение, элементы управления, контрольные процедуры, отображение данных на дисплее, аварийные сигналы, эксплуатация в случае получения аварийных сигналов**	Д
	Н		Н
С. Установка / подсоединение к оборудованию**	Д	С. Техническое обслуживание: интервалы и процедуры технического обслуживания, служебные интервалы и эксплуатационные меры**	Д
	Н		Н
D. Функциональные испытания**	Д	D. Меры безопасности, предупреждения (их значение и соответствие им)**	Д
	Н		Н
Примечания			
7. Оператор проинструктирован по поводу мер безопасности, эксплуатации и технического обслуживания			
ФИО:		Подпись:	
ФИО:		Подпись:	
ФИО:		Подпись:	
8. Кем выполнены установка и инструктаж Имя / фамилия		Подпись:	
Компания:		Адрес:	
Телефон:			
Электронная почта:		Дата:	
9. Дистрибьютор			
Компания:		Адрес:	
Контактное лицо:			
Телефон:		Электронная почта:	

\*\* Отметьте пп. 5 и 6 значком «X» («Да» или «Нет»). Внесите в раздел «Примечания» какие-либо замечания на основе данных пп. 5 и 6.





## 23. DOKUMENTACJA INSTALACJI

1. Product: (model) DUO DUO2V DUO 2		2. Numer seryjny	
3.1. Instrukcja obsługi:			
3.2. Adres instalacji:			
4. Sprzęt podłączony do sprężarki:			
5. Instalacja / Uruchomienie urządzenia:		6. Spis treści szkolenia operatorów:	
A. Sprawdzenie kompletności produktu **	T	A. Opis produktu i funkcji**	T
	N		N
B. Sprawdzanie kompletności dokumentów **	T	B. Działanie produktu: włączanie/wyłączanie, sterowanie, procedury sterowania, dane na wyświetlaczu, alarmy, obsługa w warunkach alarmowych**.	T
	N		N
C. Instalacja/podłączenie sprzętu **	T	C. Konserwacja produktu: przerwy między przeглядami, procedury konserwacji, okresy międzyprzeглядowe, działalności operacyjne**	T
	N		N
D. Test funkcjonalny **	T	D. Środki bezpieczeństwa, ostrzeżenia – ich znaczenie i zgodność **	T
	N		N
Uwagi::			
7. Operator został poinformowany o środkach bezpieczeństwa, działaniach i konserwacji:			
Imię i nazwisko:		Podpis:	
Imię i nazwisko:		Podpis:	
Imię i nazwisko:		Podpis:	
8. Instalacja i instruktaż przeprowadzone przez Imię/Nazwisko		Podpis:	
Firma:		Adres:	
Telefon:			
Email:		Data:	
9. Dystrybutor:			
Firma:		Adres:	
Osoba kontaktowa:			
Telefon:		Email :	

\*\* umieścić znak „X” w punktach 5 i 6 (T – tak /N – nie). Wszelkie uwagi z punktów 5 i 6 w rubryce „Uwagi”



## 23. ZÁZNAM O INŠTALÁCII

1. Výrobok: (typ) DUO DUO2V DUO 2		2. Výrobné číslo:	
3.1. Názov užívateľa:			
3.2. Adresa inštalácie:			
4. Zariadenia pripojené ku kompresoru:			
5. Inštalácia / Uvedenie do prevádzky:		6. Obsah zaučenia obsluhy:	
A. Kontrola úplnosti výrobku **	A N	A. Popis výrobku a popis funkcie**	A N
B. Kontrola úplnosti dokumentácie **	A N	B. Obsluha výrobku : zapnúť /vypnúť, ovládacie prvky, postupy ovládania, údaje na zobrazovacom paneli, alarmy, činnosť pri alarmoch**	A N
C. Inštalácia/pripojenie k zariadeniu **	A N	C. Údržba výrobku : intervaly údržby, postup pri údržbe, servisné intervaly, činnosť obsluhy**	A N
D. Funkčná skúška **	A N	D. Bezpečnostné opatrenia, upozornenia – ich význam a dodržiavanie **	A N
Poznámky:			
7. Obsluha poučená o bezpečnostných opatreniach, prevádzke a údržbe :			
Meno :		Podpis :	
Meno :		Podpis :	
Meno :		Podpis :	
8. Inštaláciu a poučenie vykonal – Meno/Priezvisko		Podpis:	
Firma:		Adresa:	
Telefón:			
E-mail :		Dátum:	
9. Distribútor :			
Firma:		Adresa:	
Kontaktná osoba :			
Telefón:		E-mail :	

\*\* v bodoch 5 a 6 označiť "X" (A - áno /N - nie). Pozorovania k bodom 5 a 6 zapísať do časti „Poznámky“



## 23. ZÁZNAM O INSTALACI

1. Výrobek: (typ) DUO DUO2V DUO 2		2. Výrobní číslo:	
3.1. Jméno uživatele:			
3.2. Adresa instalace:			
4. Zařízení připojené ke kompresoru:			
5. Instalace / uvedení do provozu:		6. Obsah zaučení obsluhy:	
A. Kontrola úplnosti výrobku**	A	A. Popis výrobku a popis funkcí**	A
	N		N
B. Kontrola úplnosti dokumentace**	A	B. Obsluha výrobku: zap./vyp., ovládací prvky, postupy ovládání, údaje na zobrazovacím panelu, alarmy, činnosti při alarmech**	A
	N		N
C. Instalace / připojení k zařízení**	A	C. Údržba výrobku: intervaly údržby, postup při údržbě, servisní intervaly, činnost obsluhy**	A
	N		N
D. Zkouška funkčnosti **	A	D. Bezpečnostní opatření, upozornění – jejich význam a dodržování**	A
	N		N
Poznámky:			
7. Obsluha poučená o bezpečnostních opatřeních, provozu a údržbě:			
Jméno:		Podpis:	
Jméno:		Podpis:	
Jméno:		Podpis:	
8. Instalaci a poučení vykonal/a – Jméno/příjmení		Podpis:	
Firma:		Adresa:	
Telefon:			
E-mail:		Datum:	
9. Distributor:			
Firma:		Adresa:	
Kontaktní osoba:			
Telefon:		E-mail:	

\*\* v bodech 5 a 6 označit „X“ (A – ano /N – ne). Pozorování k bodům 5 a 6 zapsat do části „Poznámky“.

# DUO DUO 2V, DUO 2



EKOM spol. s r.o.,  
Priemyselná 5031/18, 921 01 PIEŠŤANY, Slovak Republic  
tel.: +421 33 7967255, fax: +421 33 7967223  
e-mail: [ekom@ekom.sk](mailto:ekom@ekom.sk), [www.ekom.sk](http://www.ekom.sk)

NP-DUO-6\_11-2019-MD  
112000355-000

